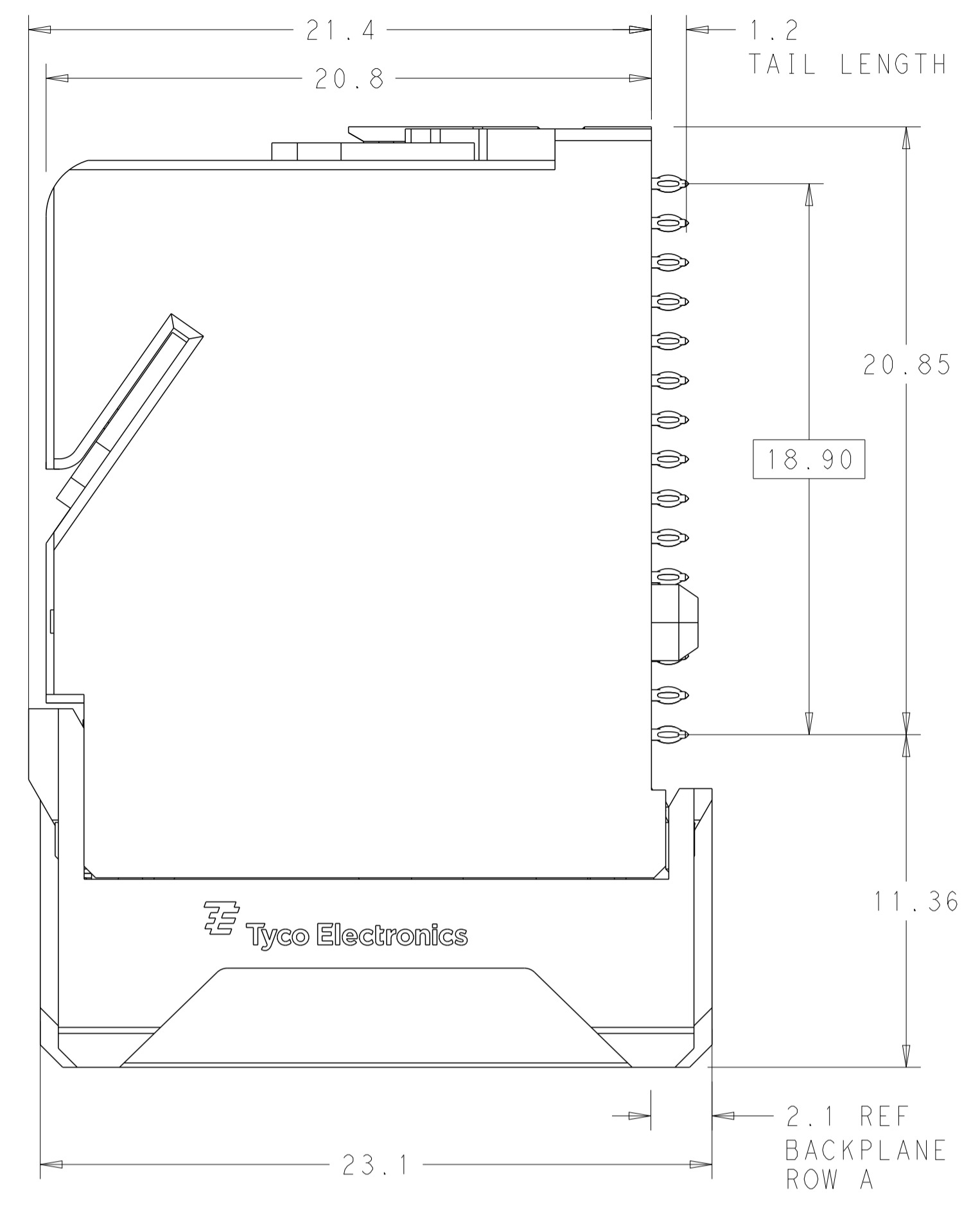
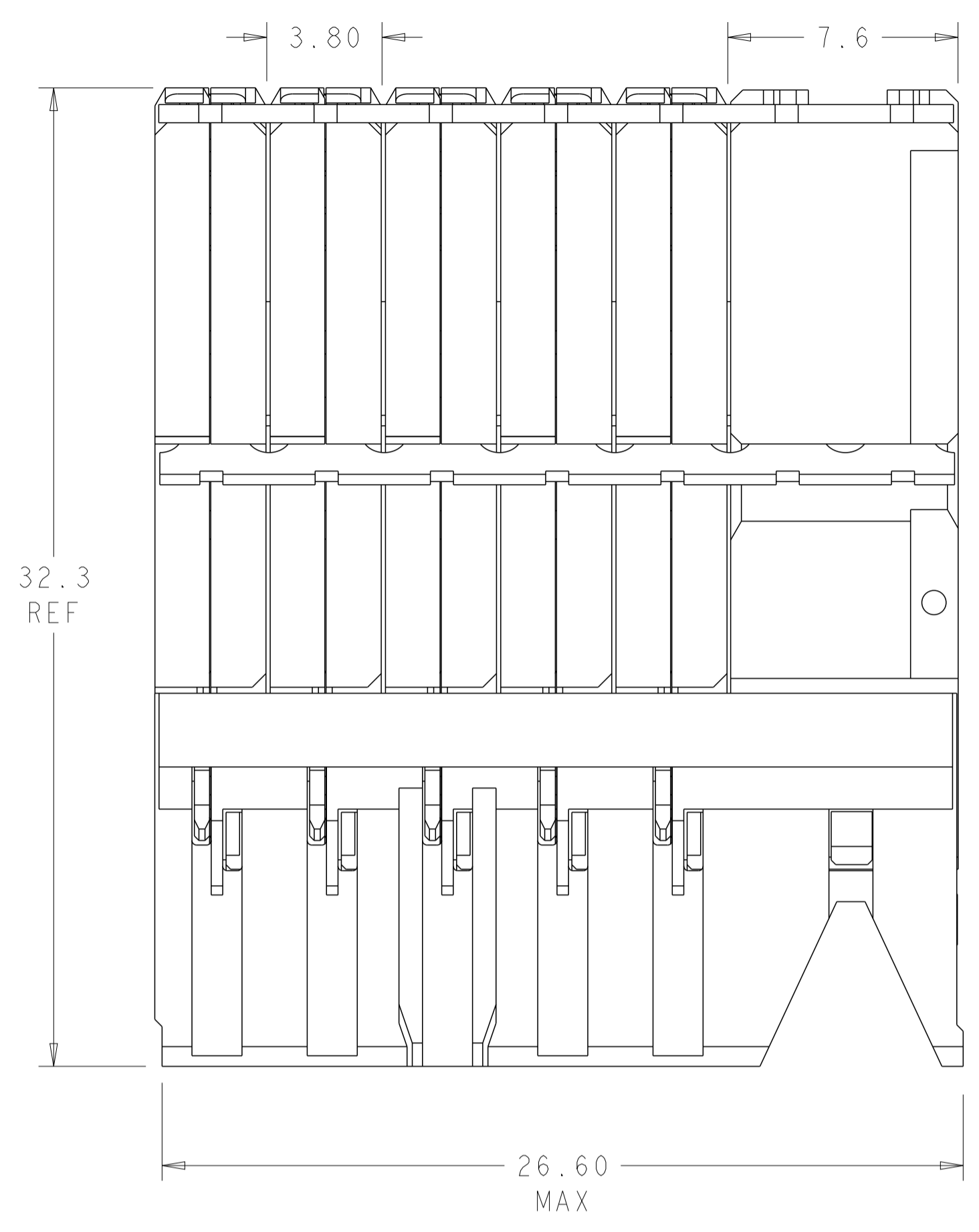
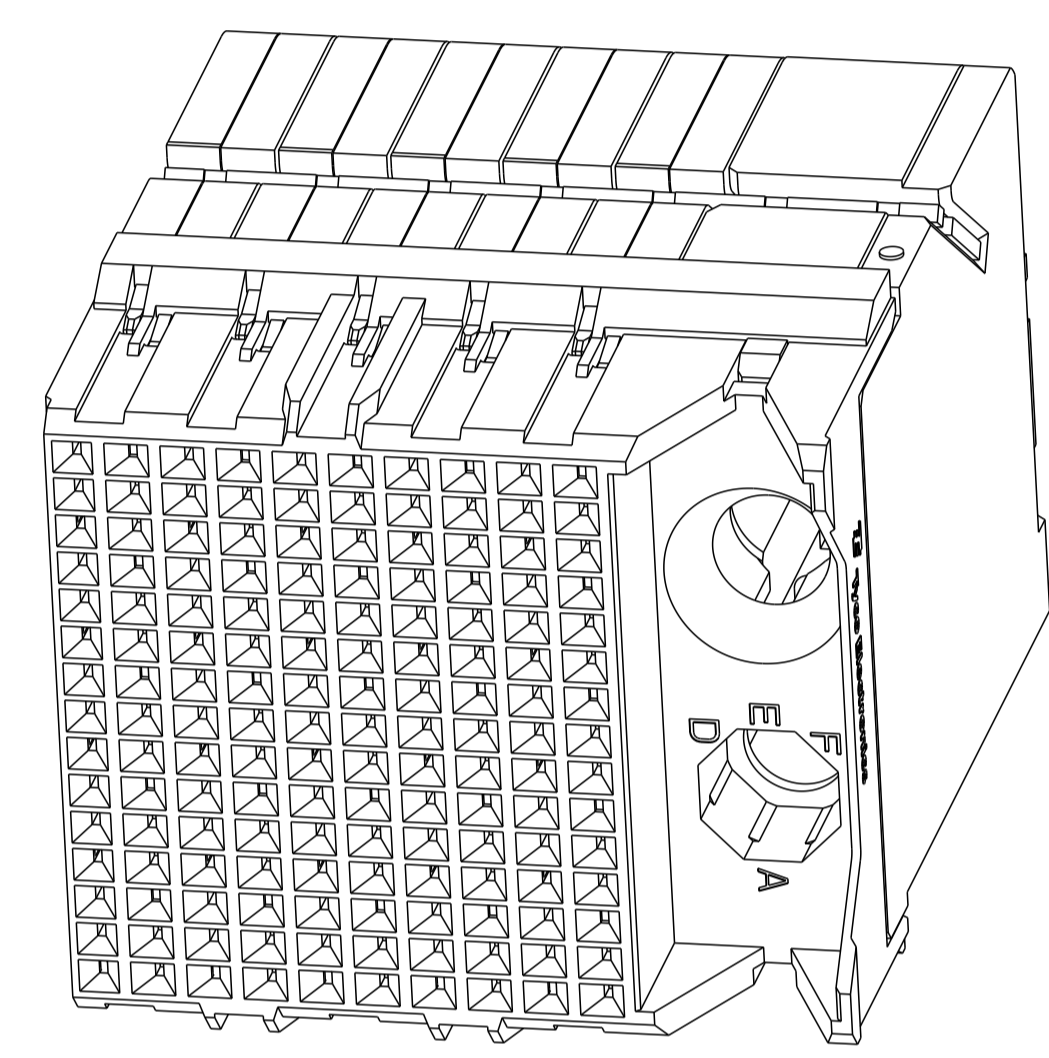


REVISIONS				
P	LTM	DESCRIPTION	DATE	OWN APVD
C2		REVISED PER ECO-15-004915	08APR2015	AP DD
C3		REVISED PER ECN-24-252171	22FEB2024	AP RS

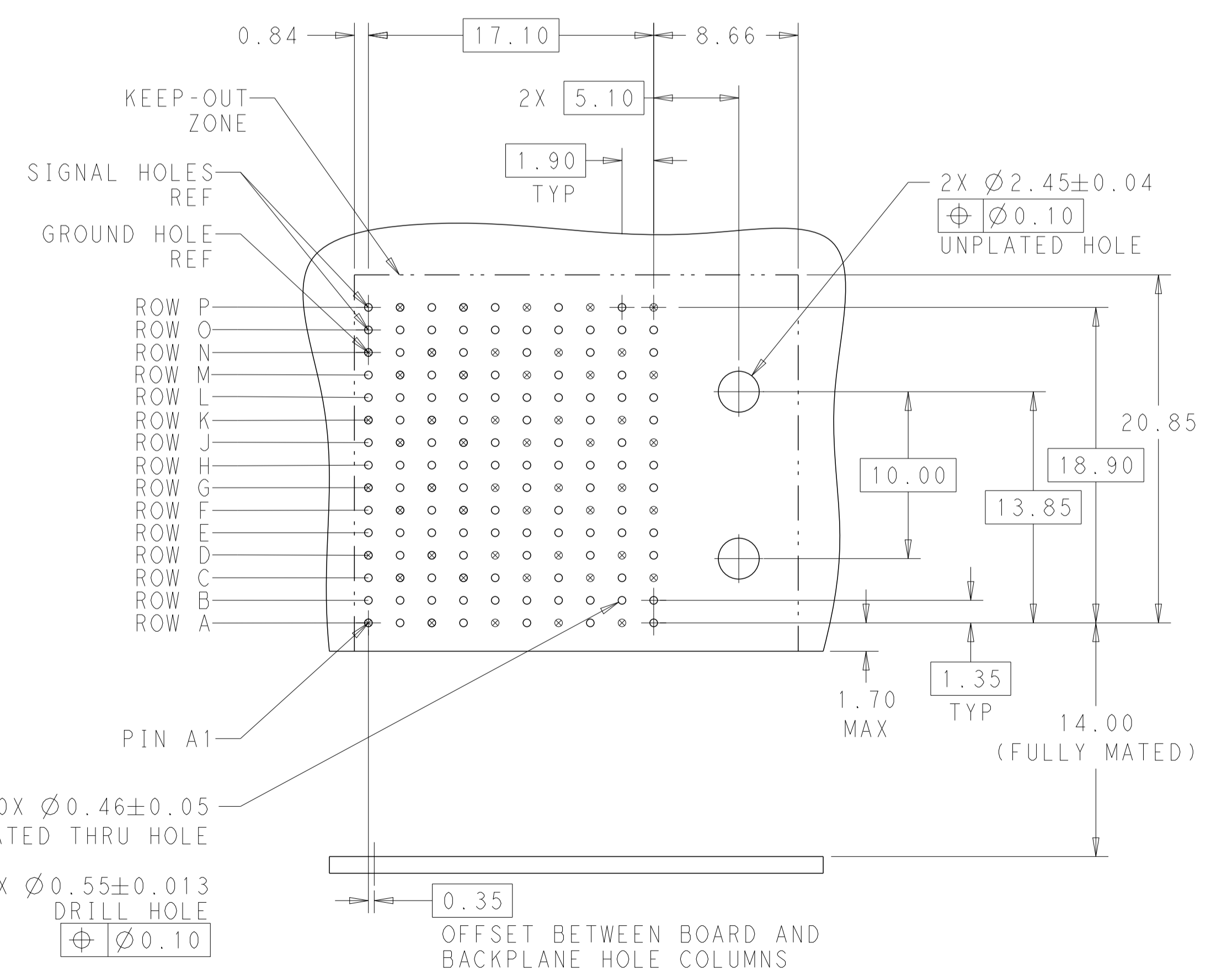
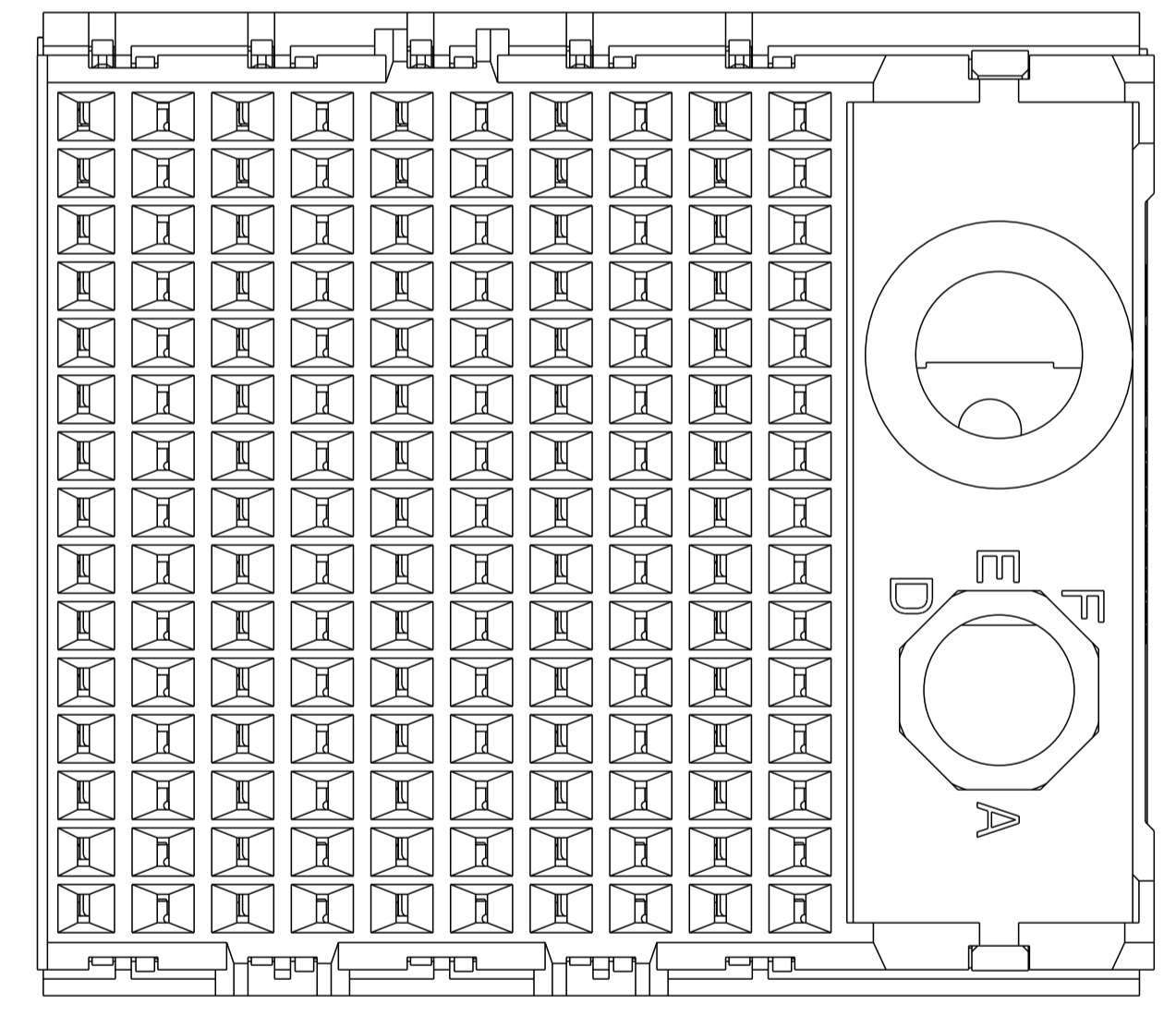


- ⚠ MATERIAL:  
HOUSING: LCP, GLASS FILLED, UL94V-0.  
TERMINALS: HIGH PERFORMANCE COPPER ALLOY.
- ⚠ FINISH:  
30µ" SELECTIVE GOLD IN CONTACT AREA. SELECTIVE TIN ON PCB TAILS, NICKEL OVERALL.
- 3. CONNECTORS SUPPLIED WITH MOUNTING SCREW.



SCALE 4:1

REFER TO WWW.TE.COM FOR PRODUCT AVAILABILITY



KEY POSITION CHART	
	NONE
	A
	B
	C
	D
	E
	F
	G
	H

OBSOLETE	H	⚠	8-2110102-1
	G	⚠	7-2110102-1
	F	⚠	6-2110102-1
	E	⚠	5-2110102-1
	D	⚠	4-2110102-1
	C	⚠	3-2110102-1
	B	⚠	2-2110102-1
	A	⚠	1-2110102-1
	NONE	⚠	2110102-1
	KEY POSITION	FINISH	PART NUMBER

THIS DRAWING IS A CONTROLLED DOCUMENT.

OWN: J. K. SHOBER 14FEB2011  
 CHK: D. DIXON 14FEB2011  
 APVD: D. DIXON 14FEB2011

TE Connectivity

NAME: IMPACT, 5 PAIR, DAUGHTERCARD 10 COLUMN, RIGHT GUIDED, SIGNAL MODULE, 0.46 EYELET

SIZE: A1 CAGE CODE: 2110102 DRAWING NO: 100779

RESTRICTED TO: CUSTOMER DRAWING

SCALE: 6:1 SHEET: 1 OF 1 REV: C3