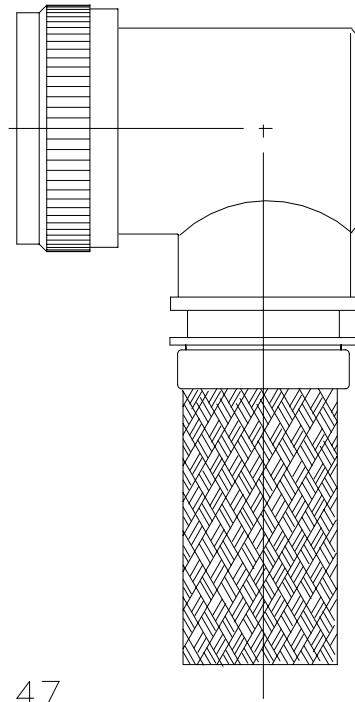


REVISIONS			
LTR	DESCRIPTION	DATE	APPROVED
G	REVISED PER ECN AD93095		



CODE 47,
SHIELDED 90° ADAPTER

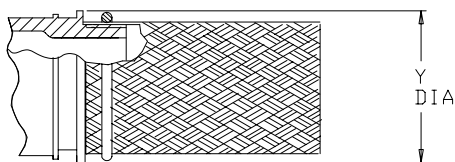
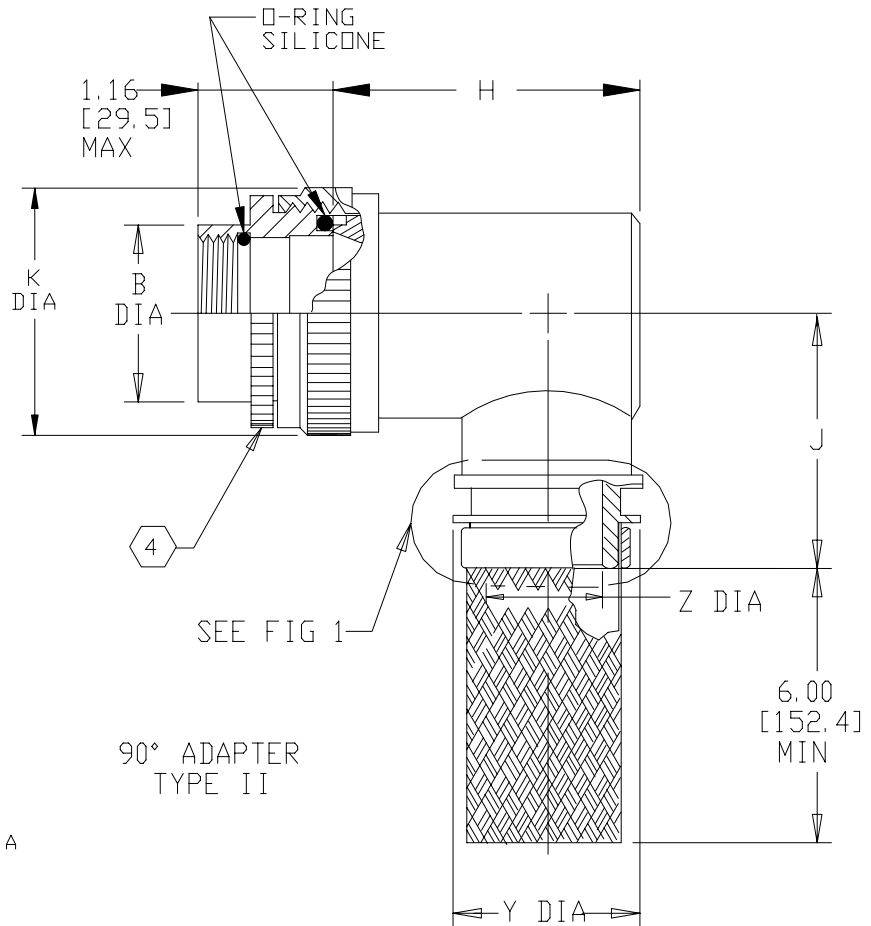
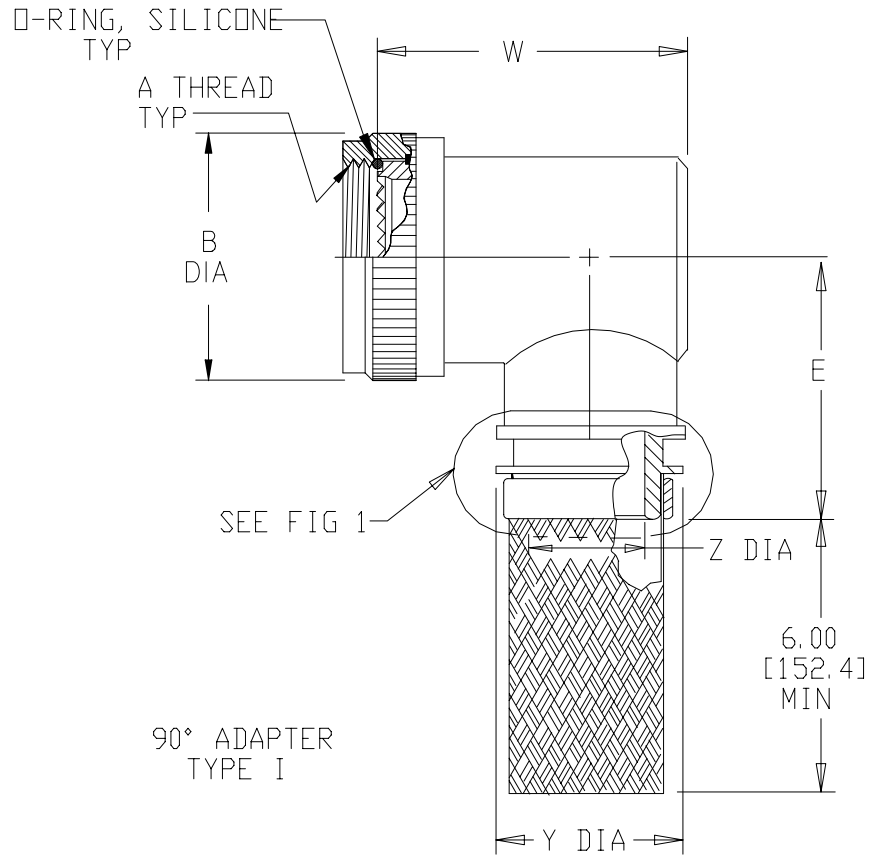
NOTES:

1. THIS PRODUCT IS DESIGNED TO TERMINATE A HEAT SHRINKABLE LIPPED BOOT TO A CONNECTOR.
2. FOR ADDITIONAL DIMENSIONS, ORDERING INFORMATION AND MODIFICATIONS, SEE CH00-0250-004.
3. ADAPTER TO BE PERMANENTLY MARKED WITH CODE IDENT. NO. AND PART NO. (E.G.: 06090-210M212-19B06).
- ④ FOR LARGER ENTRY SIZES, A 2 PIECE ADAPTER (TYPE II) IS SUPPLIED.
- ⑤ BRAID TERMINATION RING MAY BE SUPPLIED AS TINEL-LOCK SHAPE MEMORY RING AT MANUFACTURER'S OPTION.
- ⑥ ADAPTER MATES TO BENDIX SJT COMMERCIAL SERIES CONNECTORS.

If this document is printed it becomes uncontrolled.
Check for the latest revision.

SPECIFICATION CONTROL DRAWING

UNLESS OTHERWISE SPECIFIED DIMENSIONS ARE IN INCHES. METRIC DIMENSIONS ARE IN BRACKETS. DECIMALS .XXX ± — [mm] .XX ± — [mm] .X ± — [mm] ANGLES .X ± —	DRAWN J. BITTER	DATE 08-04-93		Tyco Electronics Corporation 300 Constitution Drive Menlo Park, CA. 94025 U.S.A.		
	CHECKED	DATE				
	APPROVED	DATE	TITLE ADAPTER, SHIELD 90° CODE 47			
	APPROVED	DATE				
	CAD NAME \ACAD12\210M2XX		SIZE A	CODE IDENT. NO. 06090	DWG. NO. 210M2XX	REV G
THIRD ANGLE PROJECTION		DO NOT SCALE THIS DWG				



TINEL-LOCK TERMINATION

FIG 1 5

If this document is printed it becomes uncontrolled.
Check for the latest revision.

SIZE	CODE	IDENT. NO.	DWG. NO.	REV
A		06090	210M2XX	G
DO NOT SCALE THIS DWG			CAD NAME \ACAD12\210M2X-2	SHEET 2 OF 3

TABLE I					
BASE PART NO.	SHELL SIZE 6	MAX ENTRY SIZE TYPE I 4	A THREAD CLASS 2B	B DIA MAX	E MAX
210M208	8	04	.438-28 UNEF	.719 [18.27]	1.15 [29.2]
210M210	10	06	.562-24 UNEF	.844 [21.44]	1.21 [30.7]
210M212	12	08	.688-24 UNEF	.969 [24.61]	1.28 [32.5]
210M214	14	10	.812-20 UNEF	1.094 [27.79]	1.34 [34.0]
210M216	16	12	.938-20 UNEF	1.219 [30.96]	1.40 [35.6]
210M218	18	13	1.062-18 UNEF	1.344 [34.14]	1.46 [37.1]
210M220	20	15	1.188-18 UNEF	1.469 [37.31]	1.53 [38.9]
210M222	22	16	1.312-18 UNEF	1.594 [40.49]	1.59 [40.4]
210M224	24	18	1.438-18 UNEF	1.719 [43.66]	1.65 [41.9]

TABLE II						
ENTRY SIZE	K MAX	Z ±.020 [±0.51]	Y DIA MIN	J MAX	W MAX	H MAX
03	NA	.187 [4.75]	.393 [9.98]	NA	1.07 [27.2]	NA
04	NA	.250 [6.35]	.456 [11.58]	NA	1.07 [27.2]	NA
05	.80 [20.3]	.312 [7.92]	.515 [13.08]	1.16 [29.5]	1.13 [28.7]	1.19 [30.2]
06	.80 [20.3]	.375 [9.53]	.581 [14.76]	1.16 [29.5]	1.19 [30.2]	1.19 [30.2]
07	.92 [23.4]	.438 [11.13]	.643 [16.33]	1.22 [31.0]	1.25 [31.8]	1.38 [35.1]
08	.92 [23.4]	.500 [12.70]	.705 [17.91]	1.22 [31.0]	1.32 [33.5]	1.38 [35.1]
09	1.18 [30.0]	.562 [14.27]	.705 [17.91]	1.35 [34.3]	1.44 [36.6]	1.51 [38.4]
10	1.18 [30.0]	.625 [15.88]	.831 [21.11]	1.35 [34.3]	1.44 [36.6]	1.51 [38.4]
11	1.18 [30.0]	.688 [17.48]	.893 [22.68]	1.40 [35.6]	1.57 [39.9]	1.63 [41.4]
12	1.35 [34.3]	.750 [19.05]	.953 [24.21]	1.40 [35.6]	1.57 [39.9]	1.63 [41.4]
13	1.41 [35.8]	.812 [20.62]	.953 [24.21]	1.46 [37.1]	1.69 [42.9]	1.78 [45.2]
14	1.41 [35.8]	.875 [22.23]	1.081 [27.46]	1.46 [37.1]	1.69 [42.9]	1.78 [45.2]
15	1.60 [40.6]	.938 [23.83]	1.143 [29.03]	1.53 [38.9]	1.82 [46.2]	1.88 [47.8]
16	1.60 [40.6]	1.000 [25.40]	1.205 [30.61]	1.53 [38.9]	1.82 [46.2]	1.88 [47.8]
18	1.66 [42.2]	1.125 [28.58]	1.381 [35.08]	1.59 [40.4]	1.94 [49.3]	2.01 [51.1]
20	2.04 [51.8]	1.250 [31.75]	1.506 [38.25]	1.78 [45.2]	NA	2.13 [54.1]
22	2.23 [56.6]	1.375 [34.93]	1.631 [41.43]	1.85 [47.0]	NA	2.29 [58.2]
24	2.23 [56.6]	1.500 [38.10]	1.756 [44.60]	1.92 [48.8]	NA	2.42 [61.5]
28	2.48 [63.0]	1.750 [44.45]	2.004 [50.90]	2.17 [55.1]	NA	2.67 [67.8]

If this document is printed it becomes uncontrolled.
Check for the latest revision.

SIZE A	CODE IDENT. NO. 06090	DWG. NO. 210M2XX	REV G
DO NOT SCALE THIS DWG		CAD NAME \ACAD12\210M2X-3	SHEET 3 OF 3