

4

3

2

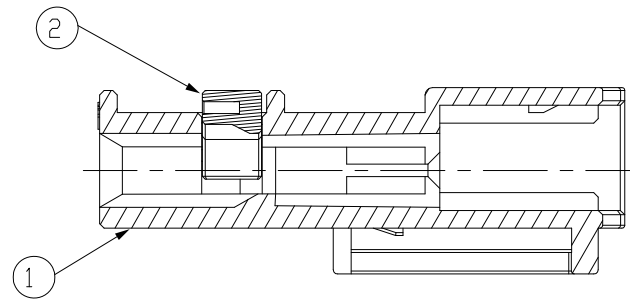
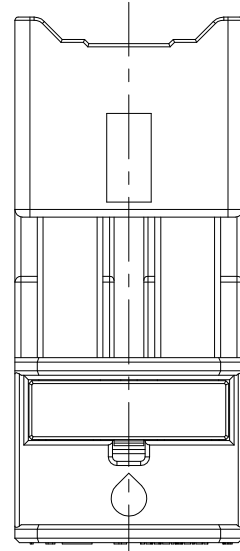
1

THIS DRAWING IS UNPUBLISHED.

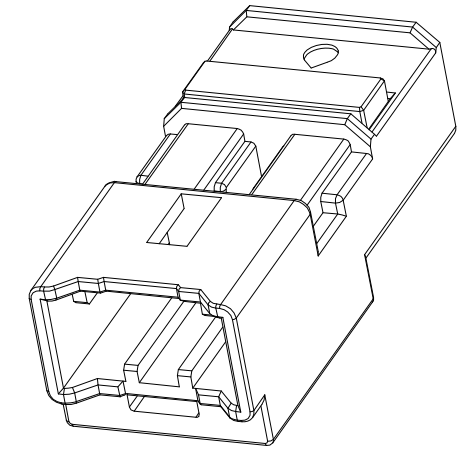
RELEASED FOR PUBLICATION

© COPYRIGHT 19 BY TYCO ELECTRONICS CORPORATION. ALL INTERNATIONAL RIGHTS RESERVED.

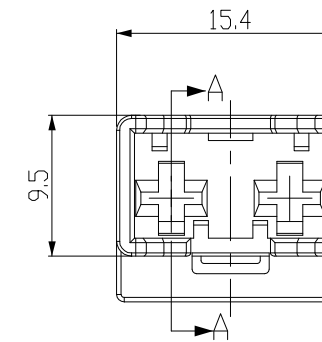
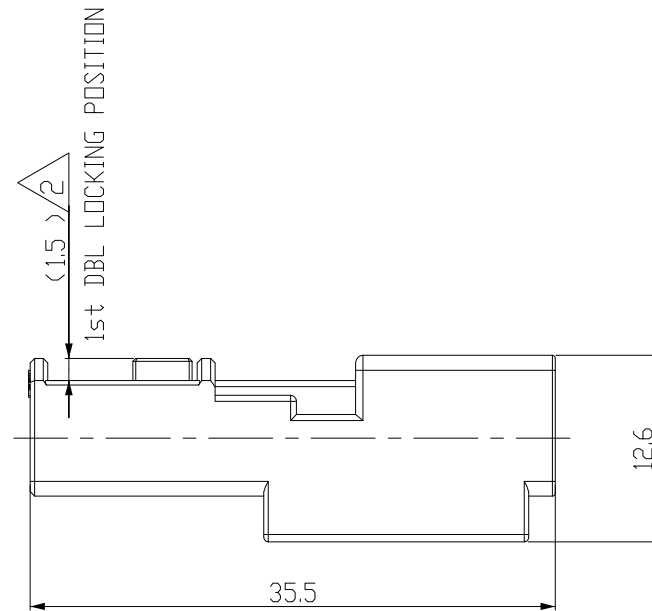
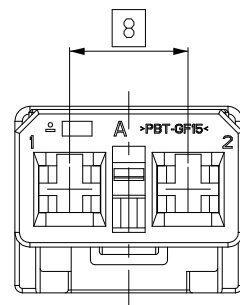
LOC	DIST	REVISIONS			
P	LTR	DESCRIPTION	DATE	DWN	APVD
DS	-	RELEASED	19.DEC.11	JY	HG



SECTION A-A



3D VIEW
SCALE 2:1



NOTES.

- GENERAL TOLERANCE: ± 0.3 , $\pm 3^\circ$
- CONDITION OF DELEVRY
- THE MATING P/N : 2109363-2
- APPLICABLE RECEPTACLE P/N : <TABLE 1>
- THE CLIP P/N : 1897434-2

<TABLE 1>

WIRE SIZE RANGE (mm ²)	INSULATION DIAMETER FLR (mm)	P/N
0.50	1.15-1.60	964284-1/-2

ASS'Y P/N	DESCRIPTION
2109366-2	110 UNSEALED 2P PLUG ASSY

THIS DRAWING IS A CONTROLLED DOCUMENT FOR TYCO ELECTRONICS CORPORATION IT IS SUBJECT TO CHANGE AND THE CONTROLLING ENGINEERING ORGANIZATION SHOULD BE CONTACTED FOR THE LATEST REVISION.

DIMENSIONS: mm	TOLERANCES UNLESS OTHERWISE SPECIFIED: 0 PLC \pm 1 PLC ± 0.5 2 PLC ± 0.13 3 PLC ± 0.013 4 PLC ± 0.0001 ANGLES \pm
MATERIAL	FINISH

DWN JY PARK	TE Connectivity		
CHK KT LIM	110 UNSEALED 2P PLUG ASSY		
APVD -	NAME	SIZE A3	RESTRICTED TO -
PRODUCT SPEC -	110 UNSEALED 2P PLUG ASSY	CAGE CODE -	DRAWING NO C-2109366
APPLICATION SPEC -	SCALE 2:1	SHEET 1 OF 1	REV A
WEIGHT -	CUSTOMER DRAWING		