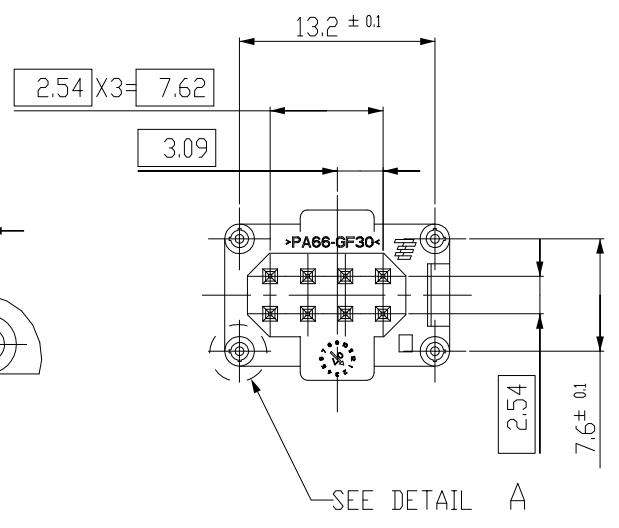
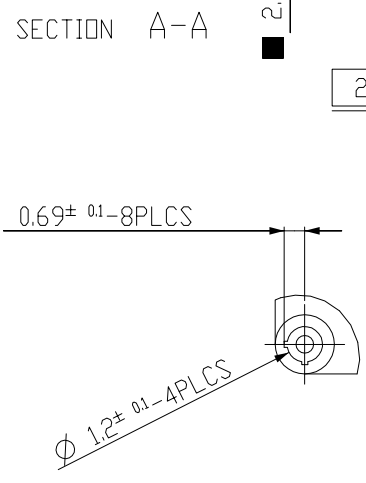
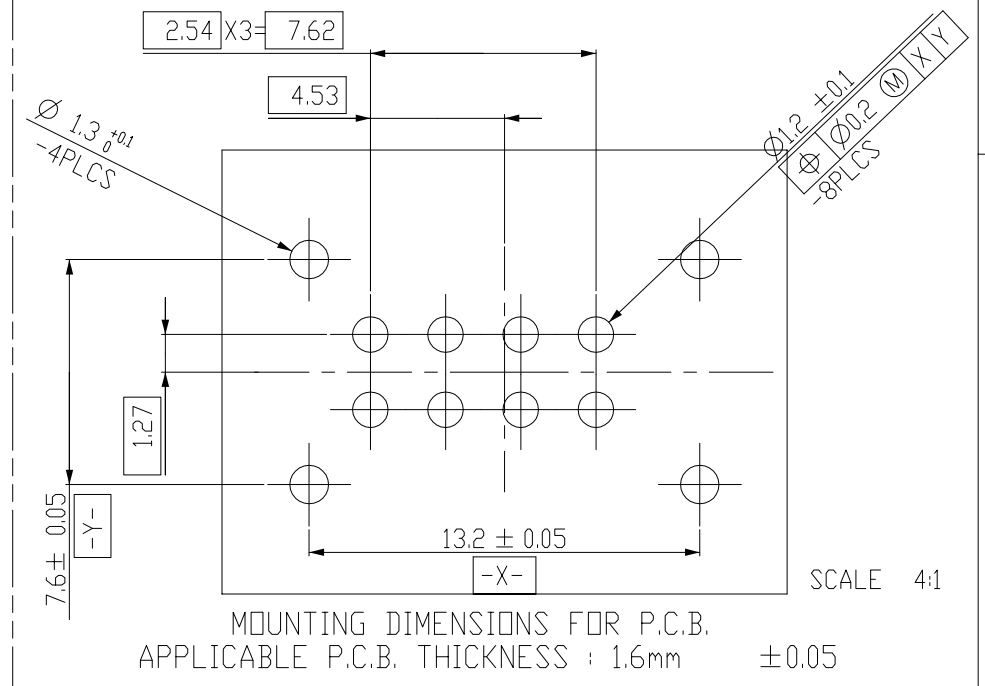
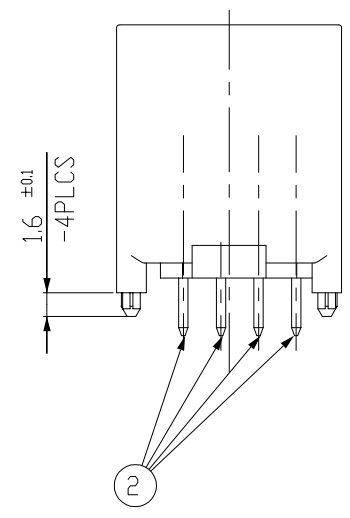
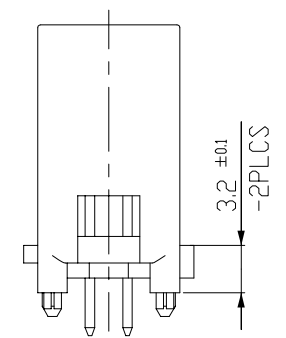
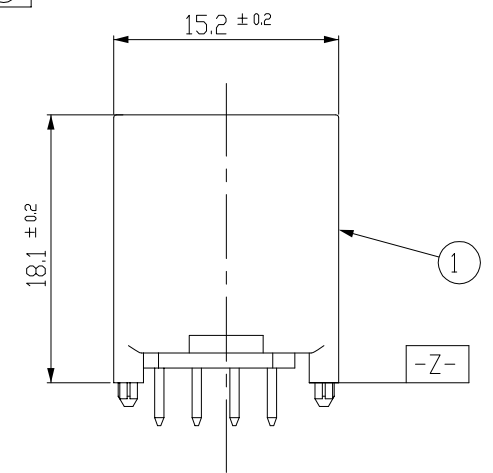
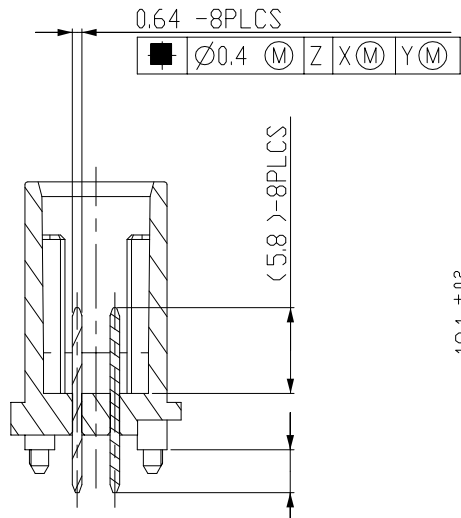
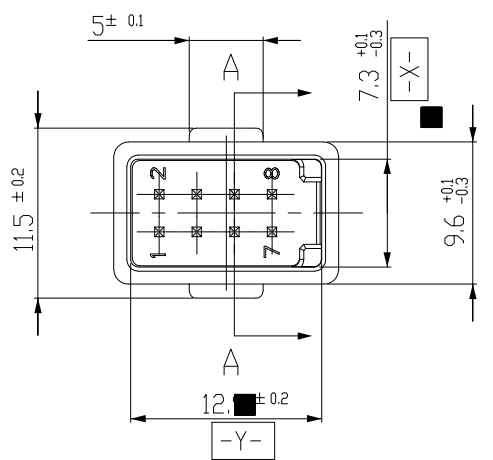
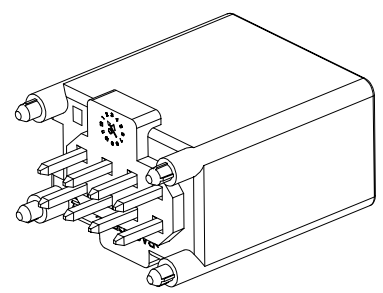


REVISIONS					
P	LTR	DESCRIPTION	DATE	DWN	APVD
A		RELEASED	10.DEC.13	DG	HG
A1		REVISED<ECR-15-007571>	18.MAY.15	JS	HG
A2		REVISED<ECR-17-000009>	29.DEC.16	JS	KT



NOTE.
 1. MATING PLUG P/N : 9-965382-2
 2. Unspecified tolerances are ISO-2768mH

ASSY P/N	DESCRIPTION
2-2109329-8 (PAPER BOX)	025 8P HEADER ASSY PACKED IN PAPER BOX NO LABEL
1-2109329-8 (PAPER BOX)	025 8P HEADER ASSY PACKED IN PAPER BOX
2109329-8 (PLASTIC BOX)	025 8P HEADER ASSY PACKED IN PLASTIC BOX

NO	MATERIAL	DESCRIPTION	P/N	Q'TY
2	COPPER ALLOY SELECTIVE GOLD PLATED	.025 TAB FOR R-MDPS	2-1743570-9	8
1	PA66-GF30	MQS 8P HEADER HSG	2109330-8	1

control priority dimension ; ■ CRITICAL, ☒ MAJOR, □ MINOR	
THIS DRAWING IS A CONTROLLED DOCUMENT.	
DIMENSIONS: mm	TOLERANCES UNLESS OTHERWISE SPECIFIED
	0 PLC ±
	1 PLC ±
	2 PLC ±
	3 PLC ±
	4 PLC ±
	ANGLES ± 3°
MATERIAL	FINISH

DWN JS KIM
 CHK DE JEONG
 APVD KT LIM
 PRODUCT SPEC
 APPLICATION SPEC
 WEIGHT -

TE TE Connectivity

NAME
 MQS 8P HEADER ASS'Y FOR R-TAS

SIZE A3 CAGE CODE - DRAWING NO ©-2109329 RESTRICTED TO -

CUSTOMER DRAWING SCALE 2:1 SHEET 1 OF 1 REV A2