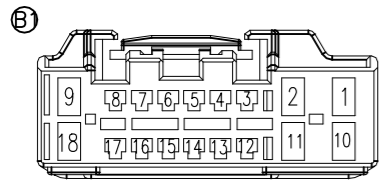
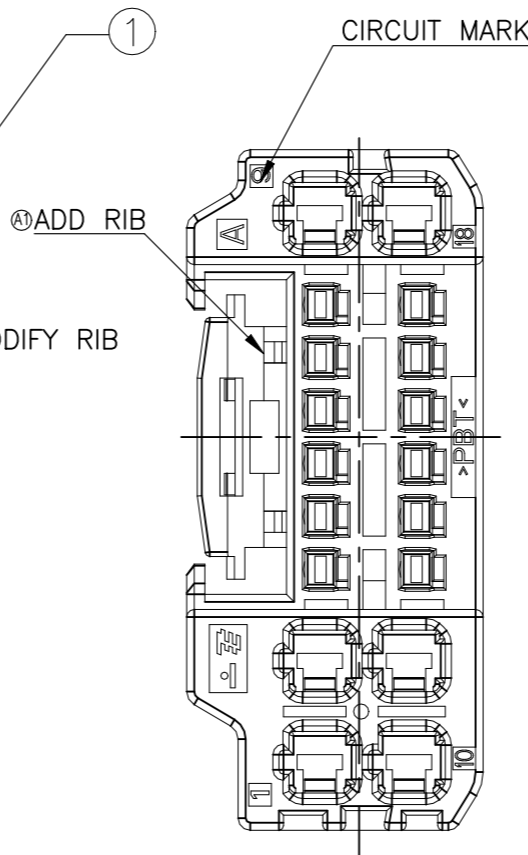
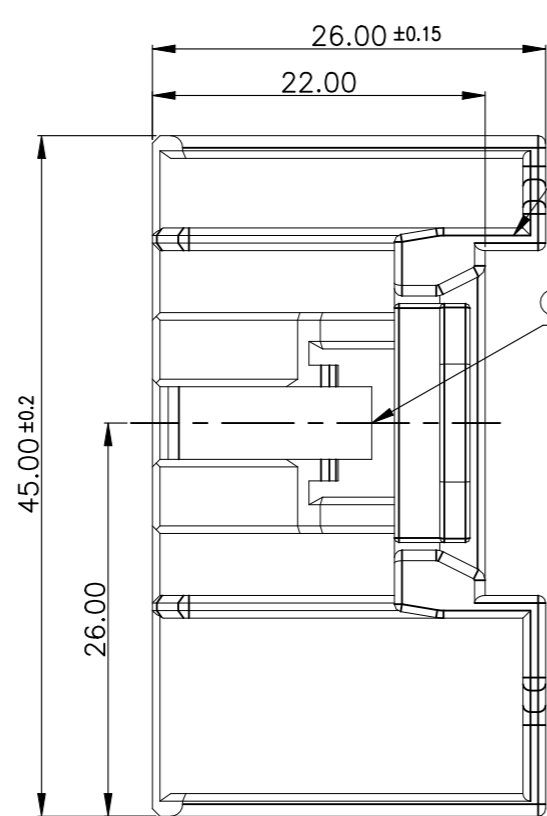
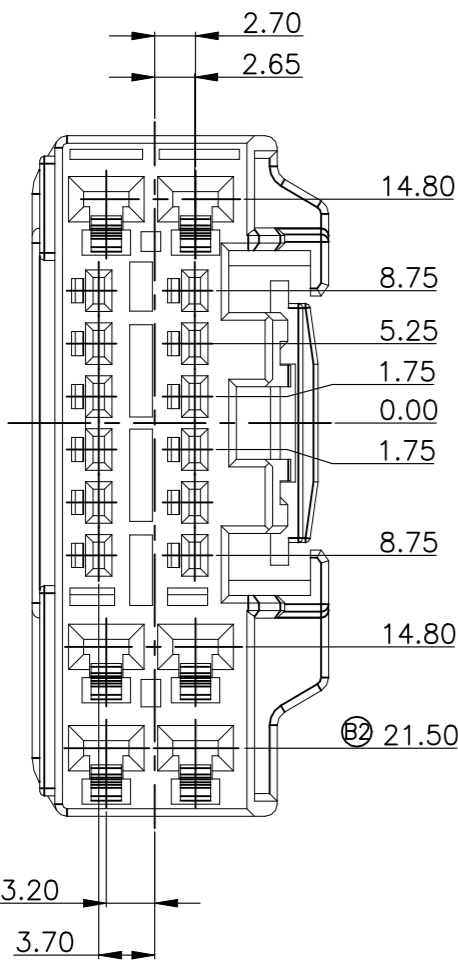
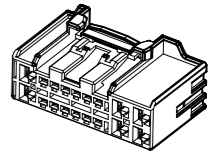
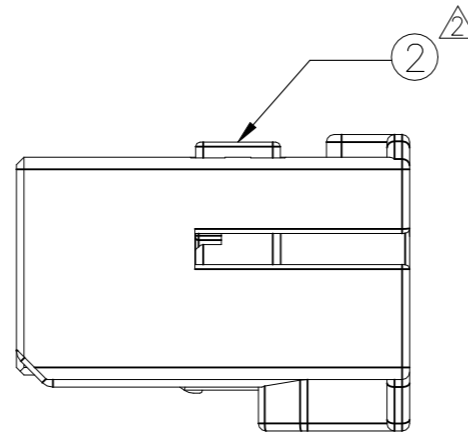


| P | LTR | DESCRIPTION | DATE | DWN | APVD |
|---|-----|------------------------|-----------|-----|------|
| | B2 | REVISED(ECR-24-200785) | 19FEB2024 | CI | YH |

CIRCUIT NUMBER



FRONT VIEW



KEY CODE TABLE

| ASS'Y P/NO | 0-2109131-1 | 1-2109131-2 |
|------------|---------------|---------------|
| CODE | REMOVE TO RIB | REMOVE TO RIB |
| COLOR | WHITE | BLACK |

CONTACT TABLE

| TYPE | FINISH | P/NO | WIRE RANGE(mm ³) |
|------|---------|-----------|------------------------------|
| 060 | PRE-TIN | 2109006-1 | 0.22~0.35 |
| | | 2109006-2 | 0.5~0.85 |
| | | 2109006-3 | 0.85~1.25 |
| 110 | PRE-TIN | 1743162-1 | 0.3~0.75 |
| | | 1743163-1 | 1.5~2.0 |
| | | 1743465-1 | 3.0 |

NOTE:
 1. GENERAL TOLERANCE IS ± 0.3 , $\pm 1^\circ$
 △ CONDITION OF DELIVERY;
 DBL IN 1st LOCKING POSITION
 △ SEE THE KEY CODE TABLE
 △ APPLICABLE RECEPTACLE CONTACT P/N; CONTACT TABLE

| ② | DBL | 0-2109133-1 | WHITE | PBT | 1 | 1 |
|---|--------------|-------------|-------|----------|------|---|
| ① | PLUG HOUSING | 1-2109132-2 | BLACK | PBT | 1 | - |
| | | 0-2109132-1 | WHITE | PBT | - | 1 |
| | NAME | PART NUMBER | COLOR | MATERIAL | Q'TY | |

| | | | | | |
|--|--|------------------|------------------|--|--|
| THIS DRAWING IS A CONTROLLED DOCUMENT. | | DWN | 19FEB2024 | | TE Connectivity 060/110 18P PLUG ASSEMBLY |
| DIMENSIONS: mm | | CHK | YH | | |
| TOLERANCES UNLESS OTHERWISE SPECIFIED: | | APVD | - | | |
| 0 PLC ± - 1 PLC ± - 2 PLC ± - 3 PLC ± - 4 PLC ± - ANGLES ± - MATERIAL SEE TABLE FINISH - | | APVD | - | | |
| MATERIAL | | PRODUCT SPEC | - | | NAME |
| SEE TABLE | | APPLICATION SPEC | - | | SIZE |
| | | WEIGHT | - | | CAGE CODE |
| | | | A3 | | DRAWING NO |
| | | | 00779 | | RESTRICTED TO |
| | | | C-2109131 | | |
| | | | CUSTOMER DRAWING | | SCALE |
| | | | 2:1 | | SHEET |
| | | | 1 OF 1 | | REV |
| | | | B2 | | |