

THIS DRAWING IS UNPUBLISHED.

RELEASED FOR PUBLICATION

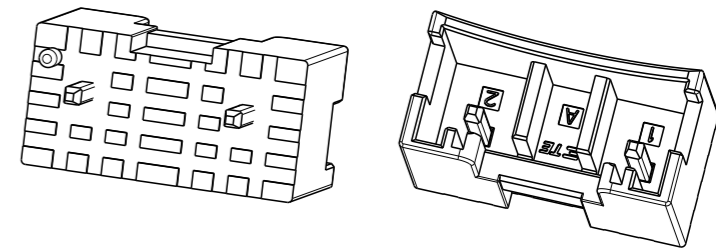
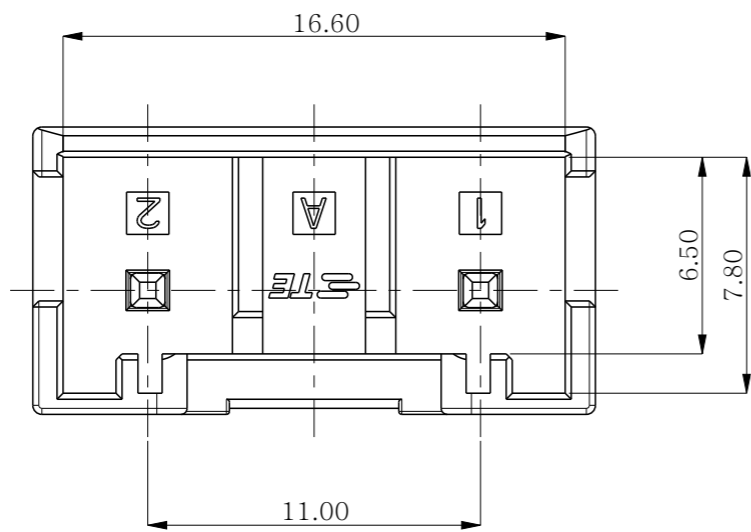
20

© COPYRIGHTED BY -

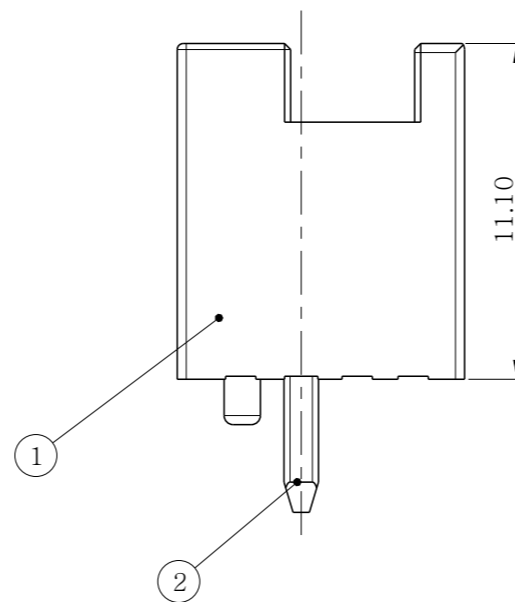
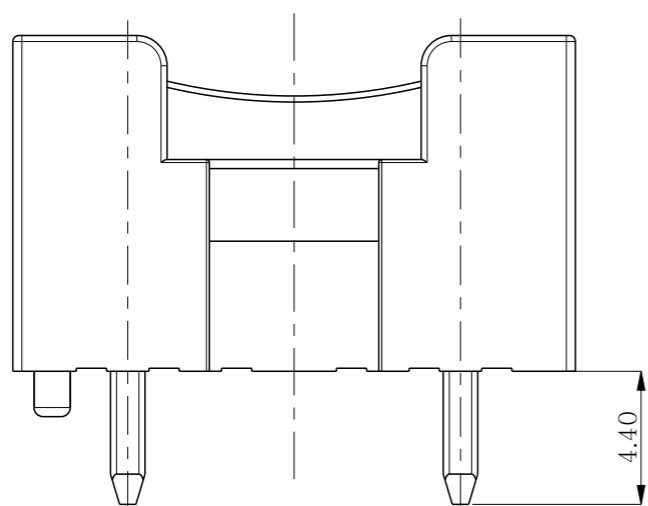
ALL RIGHTS RESERVED.

REVISIONS

P	LTR	DESCRIPTION	DATE	DWN	APVD
	A	RELEASED	21AUG2014	BH	BW

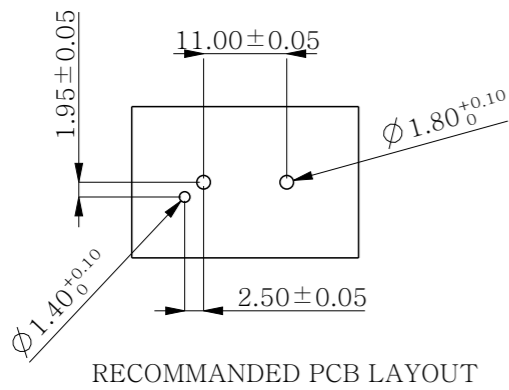


SCALE 2:1



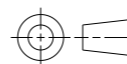
NOTE.
1. GENERAL TOLERANCE: ±0.3

2	-	COPPER ALLOY	2108744-4
1	YELLOW	PA66 V-0	2108744-1
2	-	COPPER ALLOY	2108744-1
1	NATURAL	PA66 V-0	2108744-1
ITEM	COLOR	MATERIAL	P/N



THIS DRAWING IS A CONTROLLED DOCUMENT

DIMENSIONS:
mm



MATERIAL
SEE TABLE

TOLERANCES UNLESS OTHERWISE SPECIFIED:

- 0 PLC ±-
- 1 PLC ±-
- 2 PLC ±-
- 3 PLC ±-
- 4 PLC ±-
- ANGLES ±-
- FINISH -

DWN
BH CHO

CHK
BW KANG

APVD
PRODUCT SPEC
108-61208

APPLICATION SPEC
114-61072

WEIGHT -

CUSTOMER DRAWING

NAME

LOW PROFILE POWER 2P HDR ASSY

SIZE

A3

CAGE CODE

DRAWING NO

C=2108744

RESTRICTED TO

-

SCALE 4:1

SHEET 1 OF 1

REV A