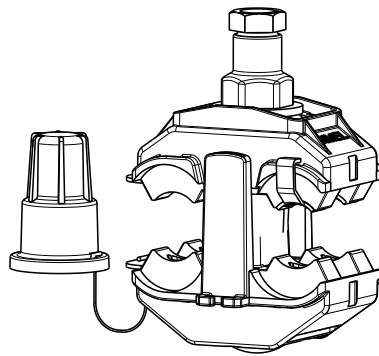
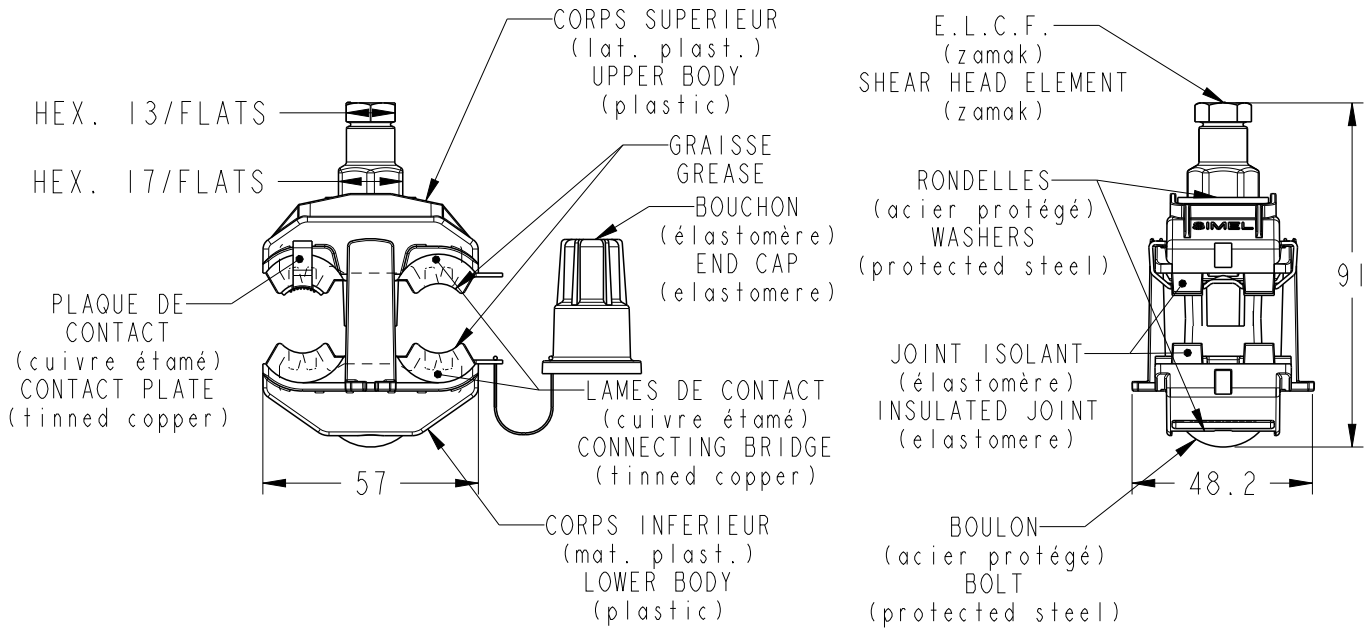


REVISIONS					
P	LTR REV	DESCRIPTION MODIFICATIONS	DATE	DWN DESS.	APVD APP.
	A	Creation	22ACT2013	JD	AG
	B	ECR-14-011939	07AUG2014	JD	AG




2107862-1  
 PART NUMBER

DESIGNATION	PN	CODE	CAPACITES PRICIPAL CAPACITIES MAIN	CAPACITES DERIVES CAPACITIES TAP	MASSE WEIGHT	COUPLE DE RUPTURE BREAKING SHEAR HEAD TORQUE
P3B120	2107862-1		Bare Al/Cu : 7mm <sup>2</sup> to 120(150)mm <sup>2</sup>	LV ABC : 25mm <sup>2</sup> to 95mm <sup>2</sup>	165g	18 Nm

MARQUAGE : LOGO, REFERENCE, CAPACITES, LOT  
 MARKING : LOGO, REFERENCE, CAPACITIES, BATCH NUMBER

TOLERANCES UNLESS OTHERWISE SPECIFIED  
 TOLERANCES NON SPECIFIEES: -

DIMENSIONS: mm TOLERANCES UNLESS OTHERWISE SPECIFIED: TOLERANCES NON SPECIFIEES (SUIV NB DE DECIMALES): 0 PLC/DEC: ±0 1 PLC/DEC: ±0 2 PLC/DEC: ±0 3 PLC/DEC: ±0 4 PLC/DEC: ±0 ANGLES ±-	DWN/DESSINE J. Dossmann 22OCT2013	MATERIAL MATIERE -	FINISH FINITION -			
	CHK/VERIFIE G. Nedellec		 TE Connectivity			
	APVD/APPROUVE A; Guichard	NAME TITRE P3B120				
	PRODUCT SPEC SPEC. PRODUIT -	APPLICATION SPEC SPEC. APPLICATION -	SIZE FORMAT A4	CAGE CODE -	DRAWING NO No PLAN C=2107862	RESTRICTED TO RESERVE A -
WEIGHT MASSE APPROX. -	CUSTOMER DRAWING /PLAN CLIENT		UNIQUEMENT POUR REFERENCE	SCALE ECHELLE 1:2	SHEET FEUILLE 1 OF DE 1	REV B

2011  
 RELEASED FOR PUBLICATION  
 LIBRE A LA DIFFUSION

ALL RIGHTS RESERVED.  
 TOUS DROITS RESERVES.

THIS DRAWING IS UNPUBLISHED.  
 DIFFUSION RESTREINTE

BY -  
 COPYRIGHT 2011