

4

3

2

1

THIS DRAWING IS UNPUBLISHED.
DIFFUSION RESTREINTE

RELEASED FOR PUBLICATION
LIBRE A LA DIFFUSION

20

© COPYRIGHT 20

ALL RIGHTS RESERVED.
TOUS DROITS RESERVES

LOC
FH

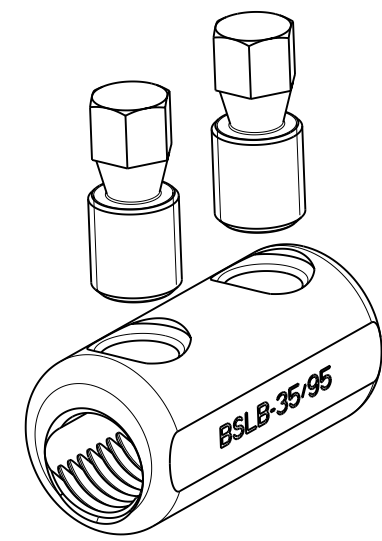
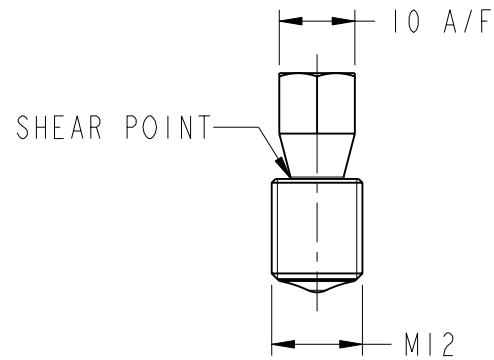
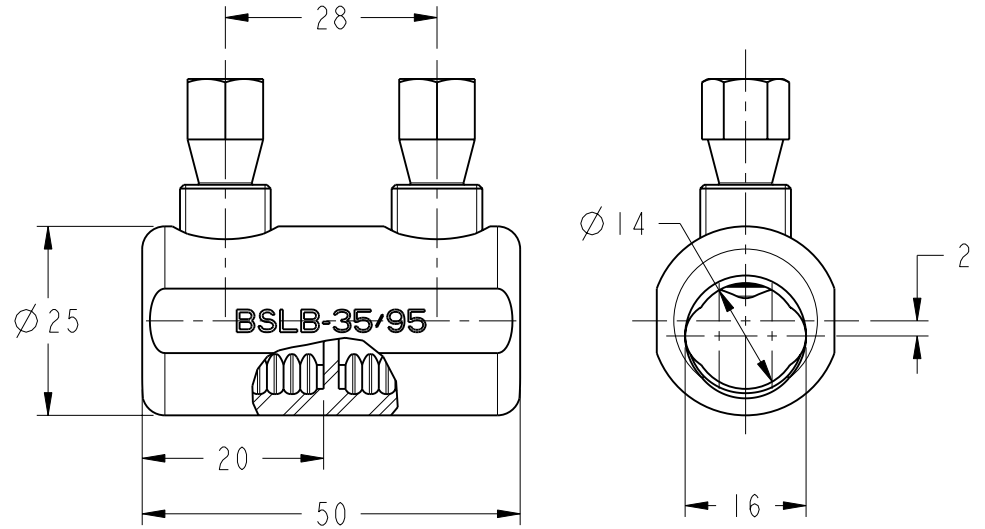
DIST
2

REVISIONS

P	LTR REV	DESCRIPTION MODIFICATIONS	DATE	DWN DESS.	APVD APP.
	A	CREATION	03MAY2011	BM	NA
	B	UPDATE RANGE TAKING (CU ROUND STRANDED)	01FEB2012	BM	NA

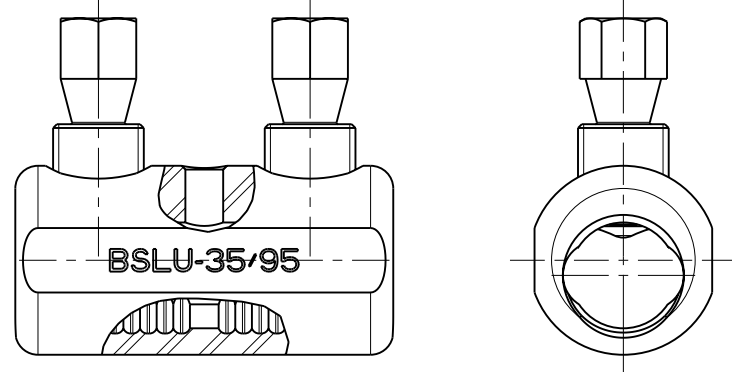
MIT TRENNSTEG / BLOCKED VERSION

BSLB-35/95	2107421-1	BLOCKED	TINNED
DESCRIPTION	PART NUMBER	TYPE	FINISH

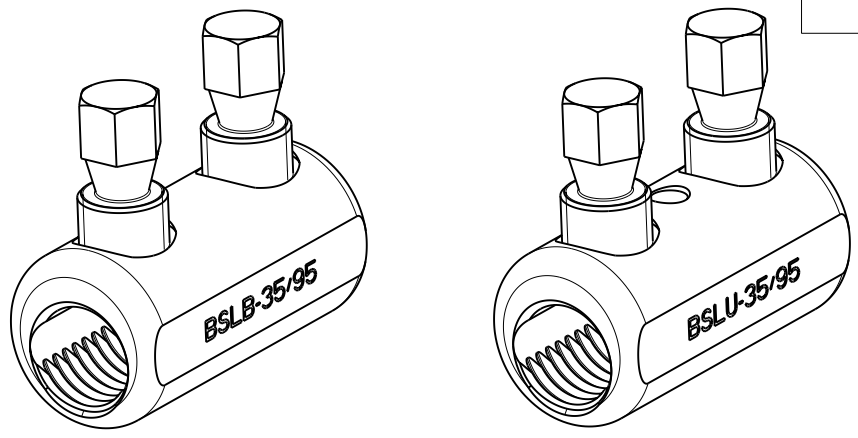


OHNE TRENNSTEG / UNBLOCKED VERSION

BSLU-35/95	2107421-2	UNBLOCKED	TINNED
DESCRIPTION	PART NUMBER	TYPE	FINISH



	AL				CU			
	ROUND STRANDED /Circ. câblé /RM	ROUND SOLID /Circ. massif /RE	SECTOR STRANDED /Sectoral câblé /SM	SECTOR SOLID /Sectoral massif /SE	ROUND STRANDED /Circ. câblé /RM	ROUND SOLID /Circ. massif /RE	SECTOR STRANDED /Sectoral câblé /SM	SECTOR SOLID /Sectoral massif /SE
CONDUCTOR CROSS-SECTION /Section conducteur /Querschnittsbereich mm ²	35-95	35-95	35-95	35-95	25-95	35-95	35-95	35-95
CONDUCTOR DIAMETER /Diamètre conducteur /Leiterdurchmesser mm	Ø 6.6-Ø 12	Ø 6.1-Ø 11	-	-	Ø 5.6-Ø 12.9	Ø 6.1-Ø 11	-	-



THIS DRAWING IS A CONTROLLED DOCUMENT.
CE PLAN EST UN DOCUMENT CONTROLE PAR TYCO ELECTRONICS CORPORATION
IL EST SUSCEPTIBLE D'ETRE REVISE. POUR OBTENIR LA DERNIERE REVISION,
CONTACTER LE SERVICE TECHNIQUE DE TYCO ELECTRONICS SIMEL SAS,
21220 GEVREY-CHAMBERTIN, FRANCE.

DIMENSIONS: mm	TOLERANCES UNLESS OTHERWISE SPECIFIED: TOLERANCES NON SPECIFIEES (SUIV NB DE DECIMALES): 0 PLC/DEC: ±0 1 PLC/DEC: ±0 2 PLC/DEC: ±0 3 PLC/DEC: ±0 4 PLC/DEC: ±0 ANGLES ±
-------------------	--

MATERIAL MATIERE AL ALLOY FINISH FINITION TINNED

DWN/DESSINE 03MAY2011
B. MILLOT

CHK/VERIFIE M. DOLLING

APVD/APPROUVE N. ALMEIDA

PRODUCT SPEC SPEC. PRODUIT

APPLICATION SPEC SPEC. APPLICATION

WEIGHT MASSE APPROX. 50 g

CUSTOMER DRAWING /PLAN CLIENT



NAME TITRE
BSLB-35/95
BSLU-35/95

SIZE FORMAT A3	CAGE CODE -	DRAWING NO No PLAN C-2107421	RESTRICTED TO RESERVE A -
----------------	-------------	------------------------------	---------------------------

UNIQUEMENT POUR REFERENCE	SCALE ECHELLE	SHEET FEUILLE	OF DE	REV B
---------------------------	---------------	---------------	-------	-------