

4

3

2

1

THIS DRAWING IS UNPUBLISHED.
 DIFFUSION RESTREINTE

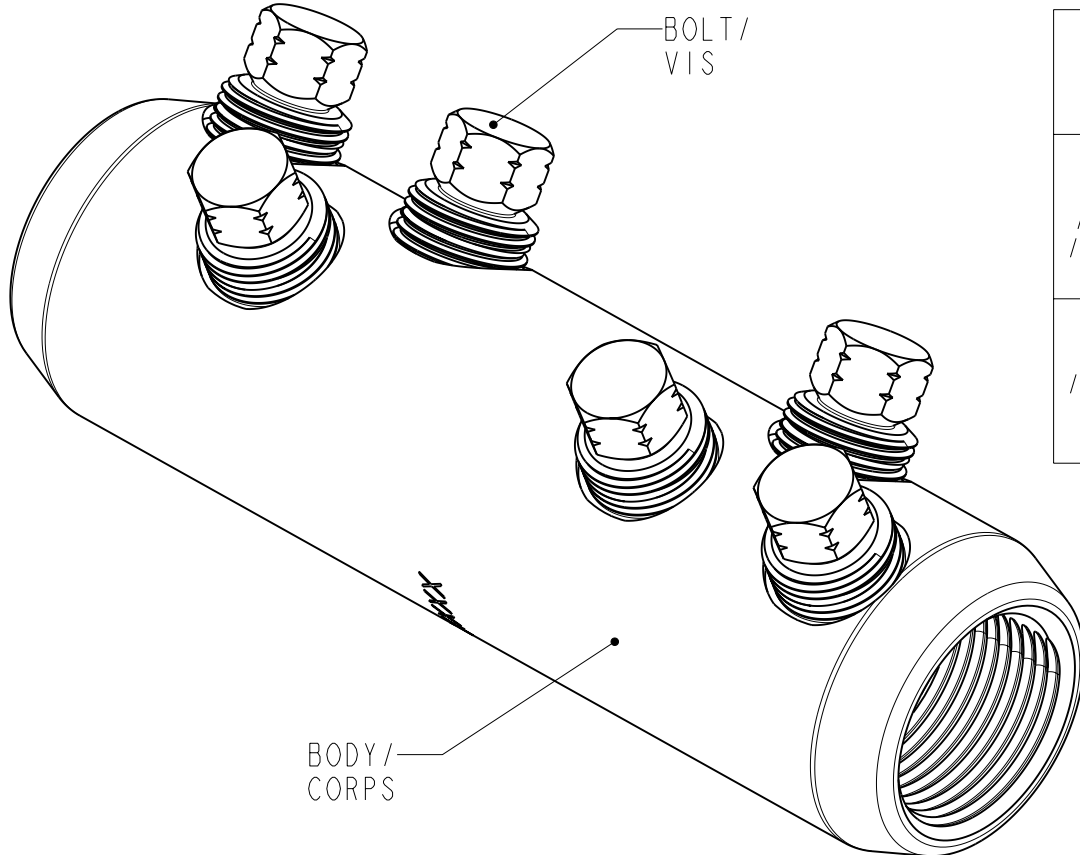
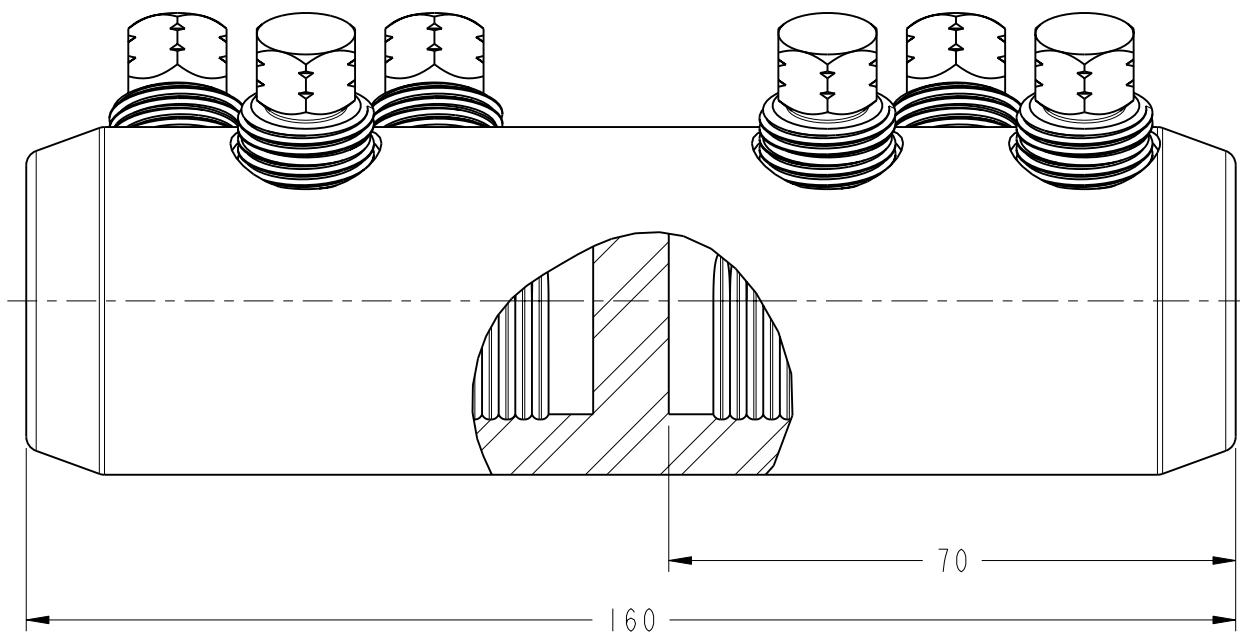
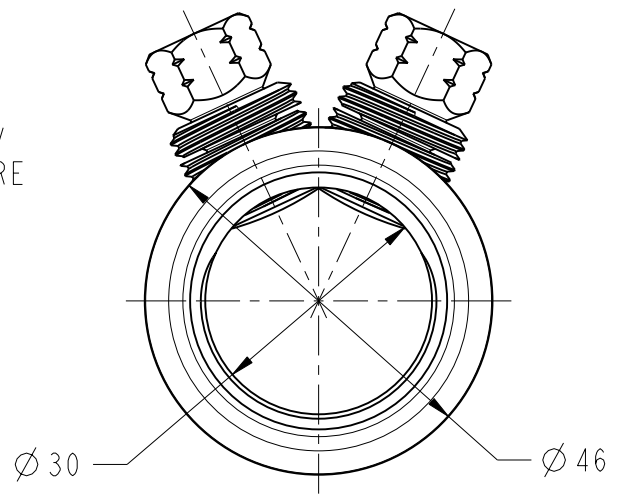
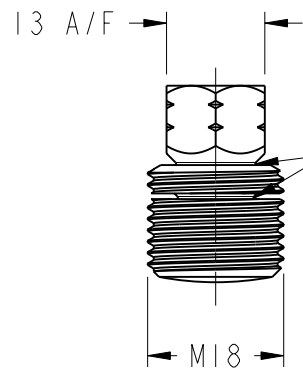
RELEASÉ FOR PUBLICATION
 LIBRE A LA DIFFUSION

20

© COPYRIGHT 20 BY TYCO ELECTRONICS CORPORATION. ALL INTERNATIONAL RIGHTS RESERVED.
 TOUS DROITS RESERVES

LOC		DIST		REVISIONS				
P	LTR REV	DESCRIPTION MODIFICATIONS			DATE	DWN DESS.	APVD APP.	
	A	CREATION			06MAY2010	BM	NA	
	B	CORRECT DIMENSION FOR CABLE INTRODUCTION			27OCT2010	BM	NA	

BSMB-500 MK2	2107355-1
DESCRIPTION	PART NUMBER



	AL				CU	
	ROUND STRANDED /Rond câblé /RM	ROUND SOLID /Rond solide /RE	SECTOR STRANDED /Sectoral câblé /SM	SECTOR SOLID /Sectoral câblé /SE	ROUND STRANDED /Rond câblé /RM	SECTOR STRANDED /Sectoral câblé /SM
CONDUCTOR CROSS-SECTION /Section conducteur /Querschnittsbereich mm ²	500	500	-	-	500	-
CONDUCTOR DIAMETER /Diamètre conducteur /Leiterdurchmesser mm	Ø 25.3-Ø 28.9	Ø 24-Ø 25.1	-	-	Ø 25.3-Ø 28.6	-

TOLERANCES UNLESS OTHERWISE SPECIFIED: -
 TOLERANCES NON SPECIFIEES: -

THIS DRAWING IS A CONTROLLED DOCUMENT FOR TYCO ELECTRONICS CORPORATION IT IS SUBJECT TO CHANGE AND THE CONTROLLING ENGINEERING ORGANIZATION SHOULD BE CONTACTED FOR THE LATEST REVISION. CE PLAN EST UN DOCUMENT CONTROLÉ PAR TYCO ELECTRONICS CORPORATION IL EST SUSCEPTIBLE D'ÊTRE REVISÉ. POUR OBTENIR LA DERNIÈRE REVISION, CONTACTER LE SERVICE TECHNIQUE DE TYCO ELECTRONICS SIMEL SAS, 21220 GEVREY-CHAMBERTIN, FRANCE.		DWN/DESSINE 06MAY2010 B. MILLOT				SIMEL PRODUCTS	
DIMENSIONS: mm		TOLERANCES UNLESS OTHERWISE SPECIFIED: TOLERANCES NON SPECIFIEES (SUIV. NO. DE DECIMALES): 0 PLC/DEC: ±0 1 PLC/DEC: ±0 2 PLC/DEC: ±0 3 PLC/DEC: ±0 4 PLC/DEC: ±0 ANGLES ±		CHK/VERIFIE N. EVANS APVD/APPROUVE N. ALMEIDA		NAME TITRE BSMB-500 MK2	
MATERIAL MATIERE AL ALLOY		FINISH FINITION TINNED		PRODUCT SPEC SPEC. PRODUIT - APPLICATION SPEC SPEC. APPLICATION -		SIZE FORMAT A3 CAGE CODE - DRAWING NO No PLAN C-2107355	
		WEIGHT MASSE APPROX. 457 g		RESTRICTED TO RESERVE A -		CUSTOMER DRAWING /PLAN CLIENT UNIQUEMENT POUR REFERENCE SCALE ECHELLE : SHEET FEUILLE OF DE REV B	