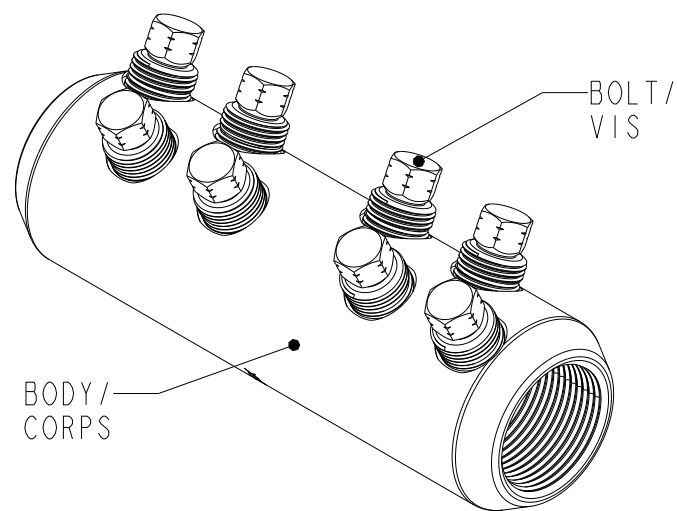
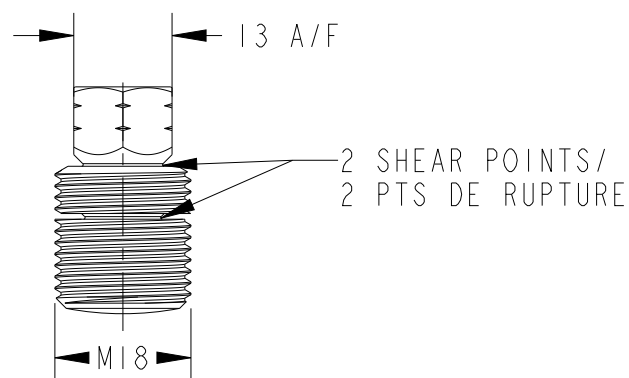
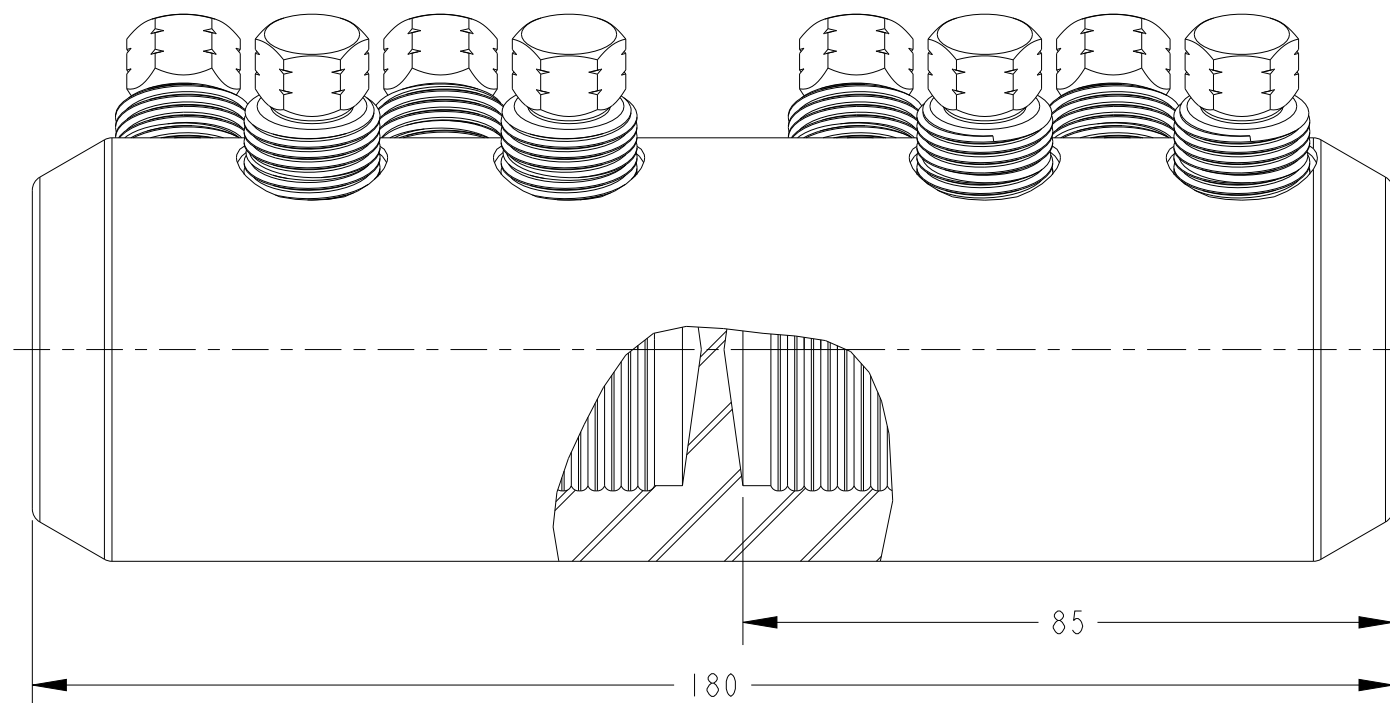
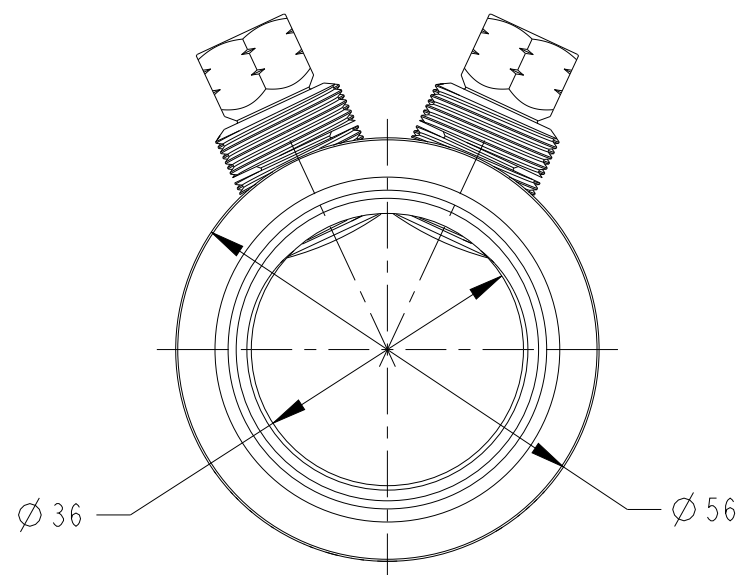


BSMB-800 MK2	2107308-1	CR4044-000
DESCRIPTION	PART NUMBER	RPN


P	LTR REV	DESCRIPTION MODIFICATIONS	DATE	DWN DESS.	APVD APP.
	B	ECR-21-005110	05MAY2021	JB	BM



SCALE/ECHELLE 1:2

	AL				CU	
	ROUND STRANDED /Rond câblé /RM	ROUND SOLID /Rond solide /RE	SECTOR STRANDED /Sectoral câblé /SM	SECTOR SOLID /Sectoral câblé /SE	ROUND STRANDED /Rond câblé /RM	SECTOR STRANDED /Sectoral câblé /SM
CONDUCTOR CROSS-SECTION /Section conducteur /Querschnittsbereich mm ²	630-800	630-800			630-800	
CONDUCTOR DIAMETER /Diamètre conducteur /Leiterdurchmesser mm	Ø28.7-Ø35.3	Ø27.3-Ø32.1			Ø28.7-Ø35.3	

TOLERANCES UNLESS OTHERWISE SPECIFIED
TOLERANCES NON SPECIFIEES: -

THIS DRAWING IS A CONTROLLED DOCUMENT. CE PLAN EST UN DOCUMENT CONTROLE PAR TYCO ELECTRONICS CORPORATION. IL EST SUSCEPTIBLE D'ETRE REVISE. POUR OBTENIR LA DERNIERE REVISION, CONTACTER LE SERVICE TECHNIQUE DE TYCO ELECTRONICS SIMEL SAS, 21220 GEVREY-CHAMBERTIN, FRANCE.		DWN/DESSINE B. MILLOT 16DEC2009	 TE Connectivity	
DIMENSIONS: mm		CHK/VERIFIE G. THOREL		
TOLERANCES UNLESS OTHERWISE SPECIFIED: TOLERANCES NON SPECIFIEES (SUIV NB DE DECIMALES): 0 PLC/DEC: ±0 1 PLC/DEC: ±0 2 PLC/DEC: ±0 3 PLC/DEC: ±0 4 PLC/DEC: ±0 ANGLES ±		APVD/APPROUVE N. ALMEIDA	PRODUCT SPEC SPEC. PRODUIT -	
MATERIAL MATIERE AL ALLOY		APPLICATION SPEC SPEC. APPLICATION IEC 61238	SIZE FORMAT A3	CAGE CODE -
FINISH FINITION TINNED		WEIGHT MASSE APPROX. 726	DRAWING NO No PLAN C=2107308	RESTRICTED TO RESERVE A -
		CUSTOMER DRAWING /PLAN CLIENT	UNIQUEMENT POUR REFERENCE	SCALE ECHELLE 1:1
			SHEET FEUILLE	OF DE 1
			REV B	