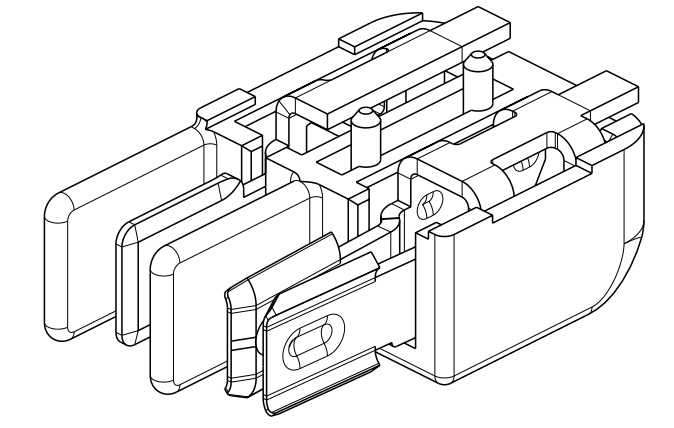
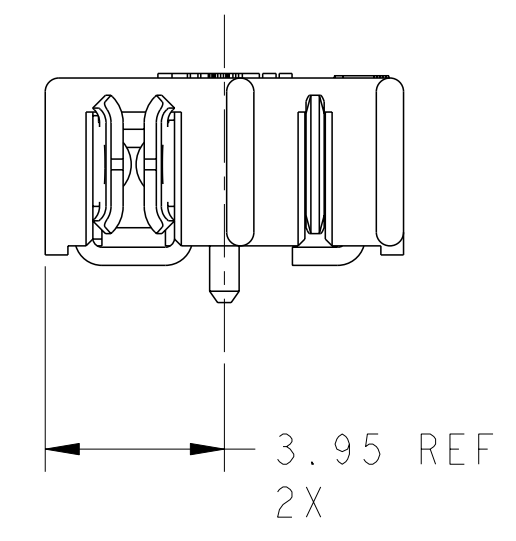
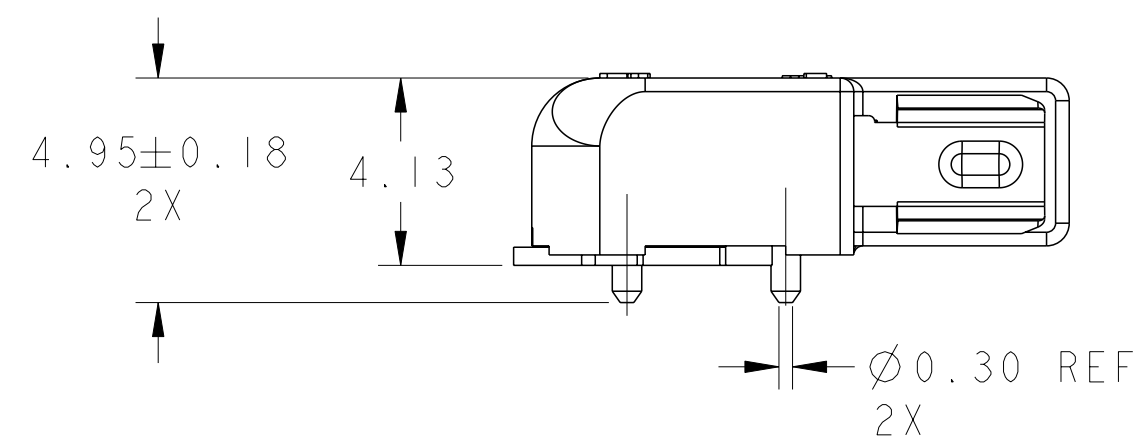
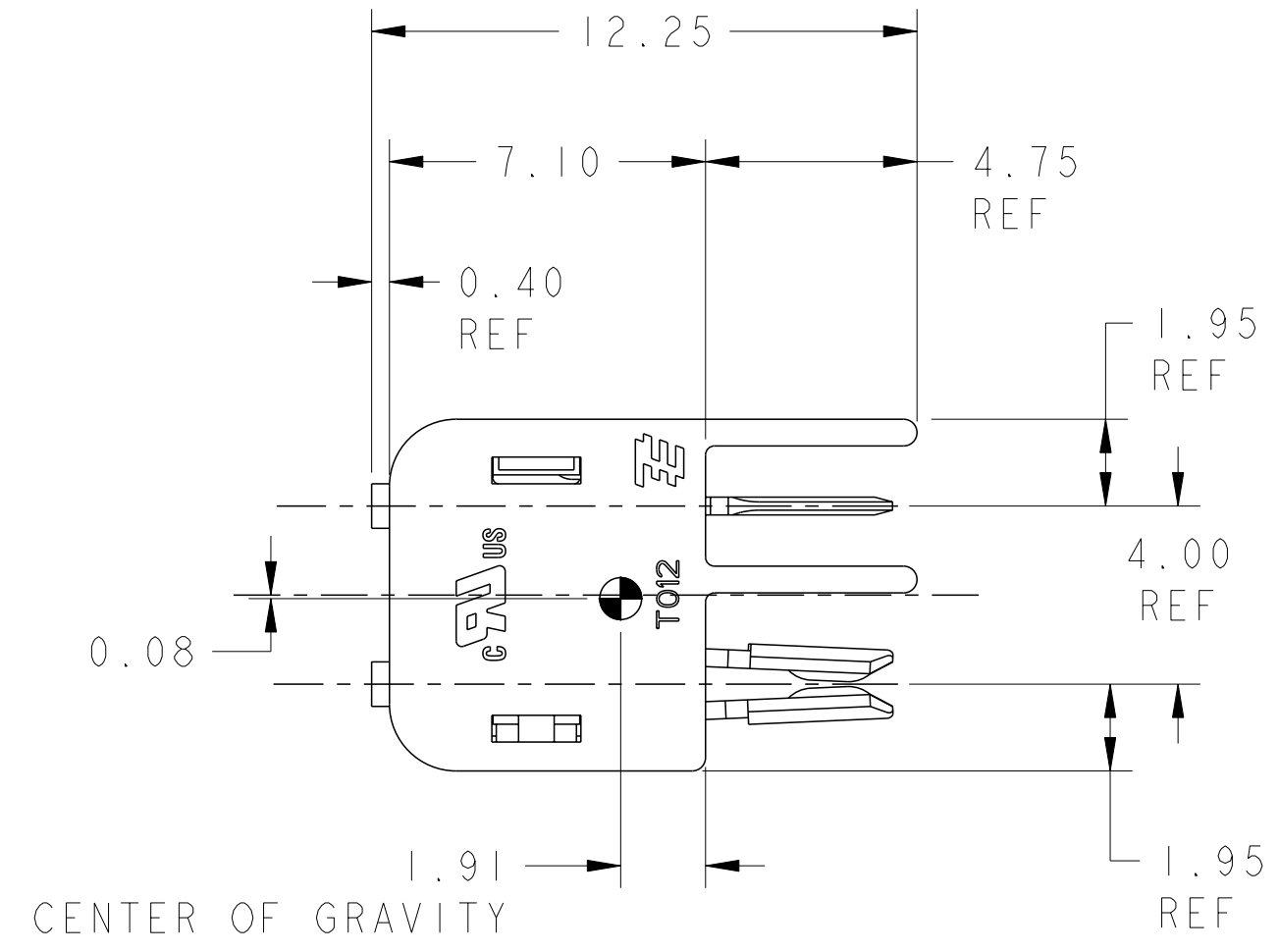


THIS DRAWING IS UNPUBLISHED. RELEASED FOR PUBLICATION 20  
 © COPYRIGHT 20 ALL RIGHTS RESERVED.

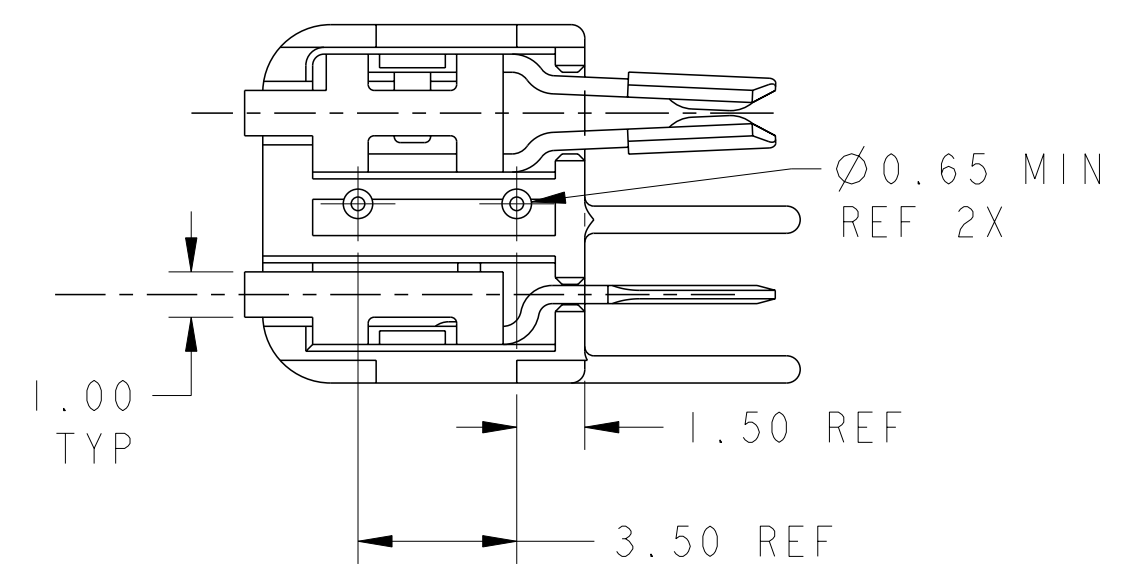
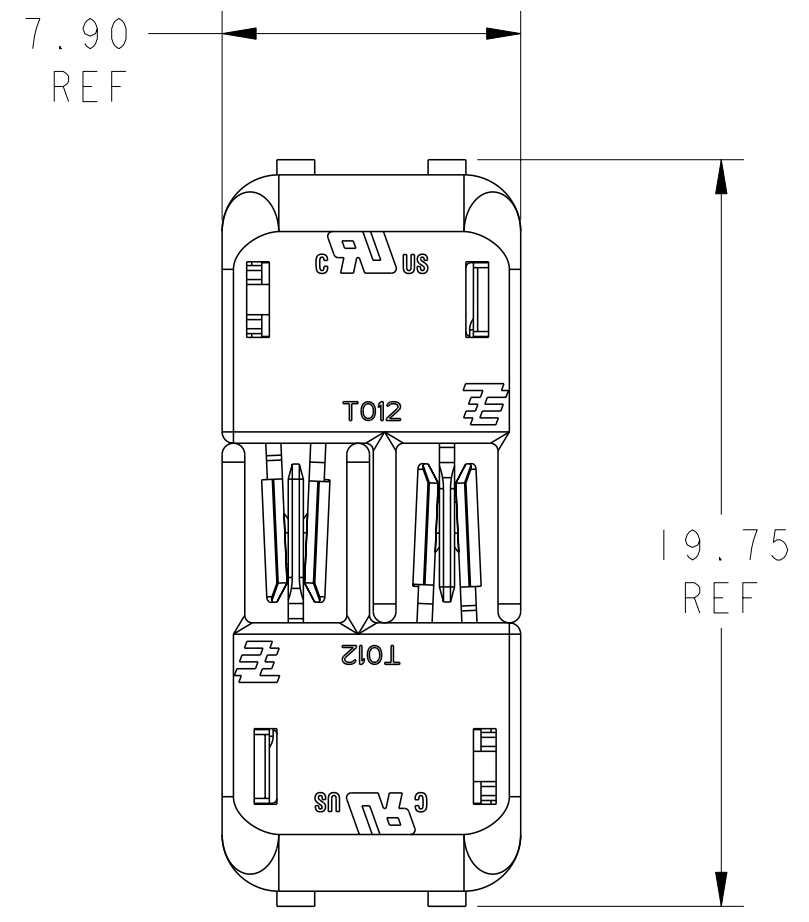
REVISIONS					
P	LTR	DESCRIPTION	DATE	DWN	APVD
A1		REVISED PER ECR-10-015938	04AUG2010	HMR	DD
A2		REVISED PER ECR-11-005777	23MAR2011	SK	DD

NOTES:

- 1 MATERIALS AND FINISH  
 - HOUSING: LCP  
 - CONTACTS: COPPER ALLOY,  
 FINISH: TIN
- 2 PRODUCT TO COMPLY WITH  
 DIRECTIVE 2002/95/EC (ROHS)
- 3 PACKAGED IN TAPE AND REEL  
 PER EIA-481 SPECIFICATION



2106212-1 SHOWN



MATED PAIR SHOWN FOR REFERENCE

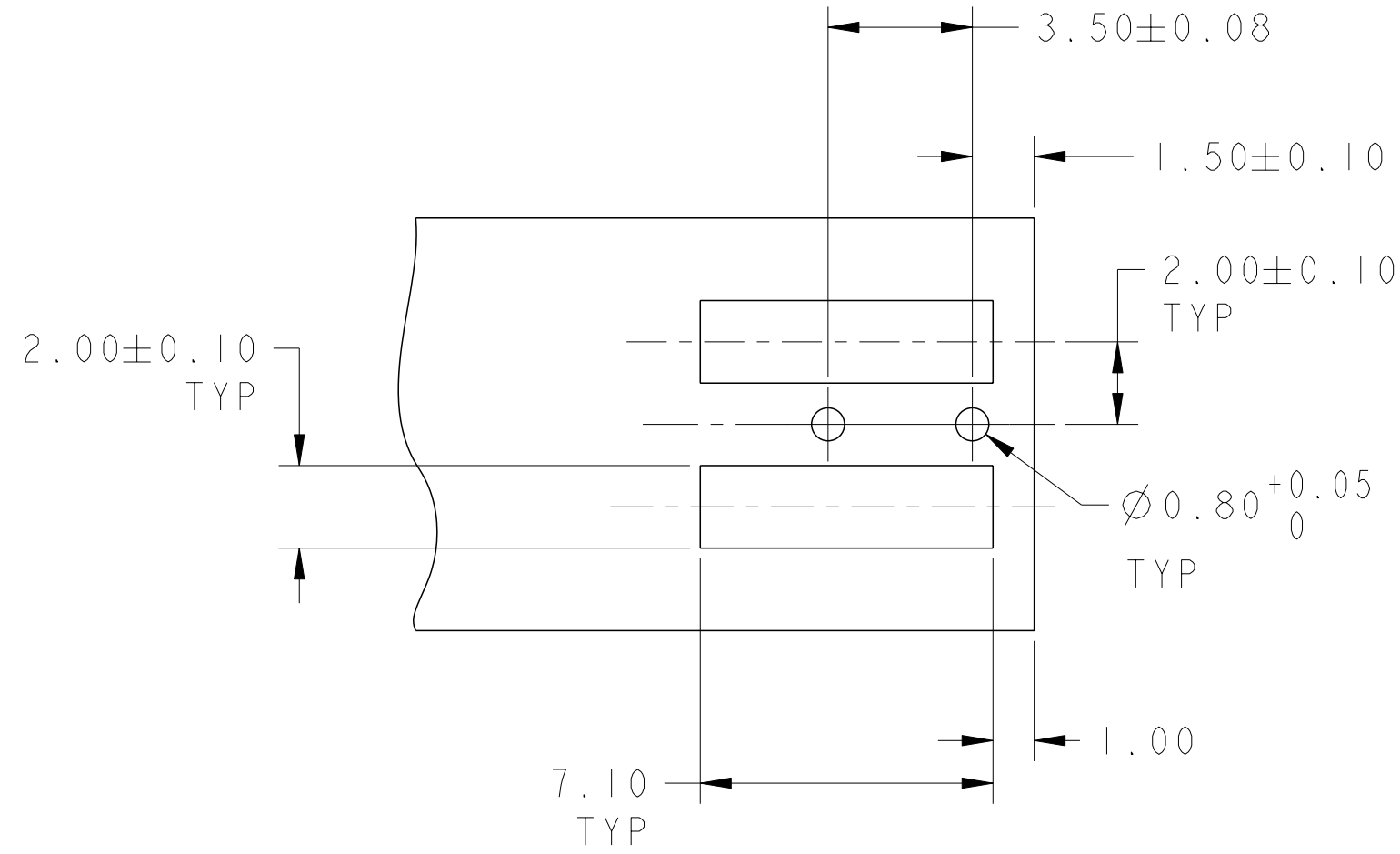
BLACK	2106212-2
NATURAL	2106212-1
COLOR	PART NO.

THIS DRAWING IS A CONTROLLED DOCUMENT.		DWN R NARANG 12FEB2009	TE Connectivity	
		CHK R NARANG 12FEB2009		
DIMENSIONS: mm		APVD -	NAME HERMAPHRODITIC BLADE AND RECEPTACLE CONNECTOR ASSEMBLY, WITH BOSS	
TOLERANCES UNLESS OTHERWISE SPECIFIED: 0 PLC ± 1 PLC ± 2 PLC ±0.13 3 PLC ±0.013 4 PLC ± ANGLES ±1° FINISH		PRODUCT SPEC 108-2342	RESTRICTED TO	
MATERIAL 		APPLICATION SPEC 114-13225	SIZE A2	CAGE CODE 00779
		WEIGHT -	DRAWING NO C-2106212	REV A2
		CUSTOMER DRAWING	SCALE 2:1	SHEET 1 OF 2

Printed on 29 Jan 2024 12:32 (Eastern Standard Time) from US018641

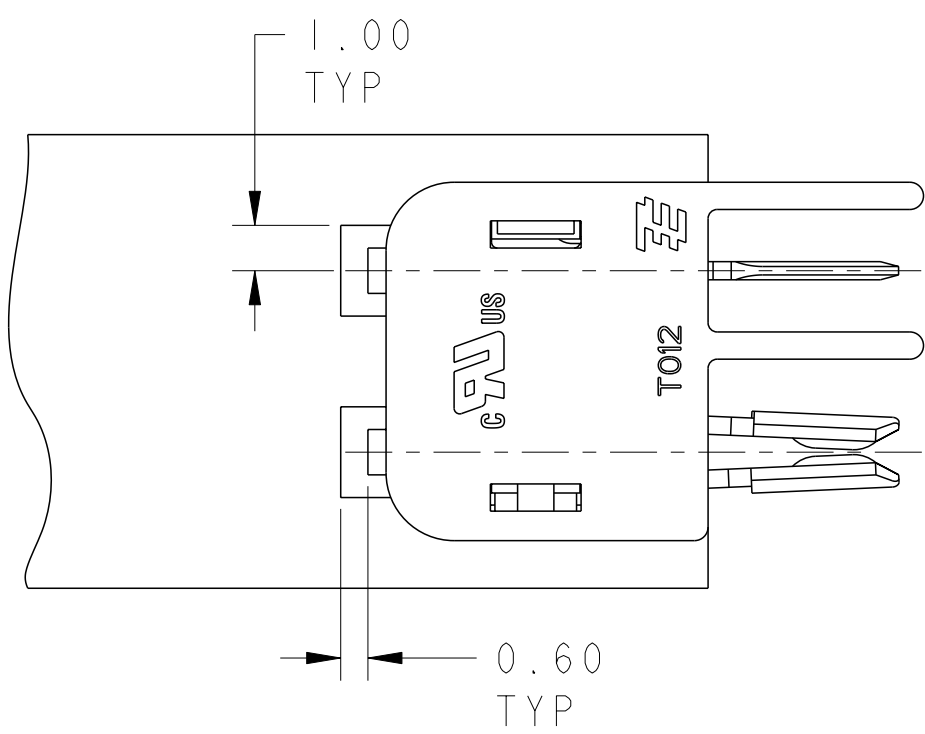
THIS DRAWING IS UNPUBLISHED. RELEASED FOR PUBLICATION 20  
 © COPYRIGHT 20 ALL RIGHTS RESERVED.

LOC		DIST		REVISIONS			
P	LTR	DESCRIPTION	DATE	DWN	APVD		
-	-	SEE SHEET 1	-	-	-		

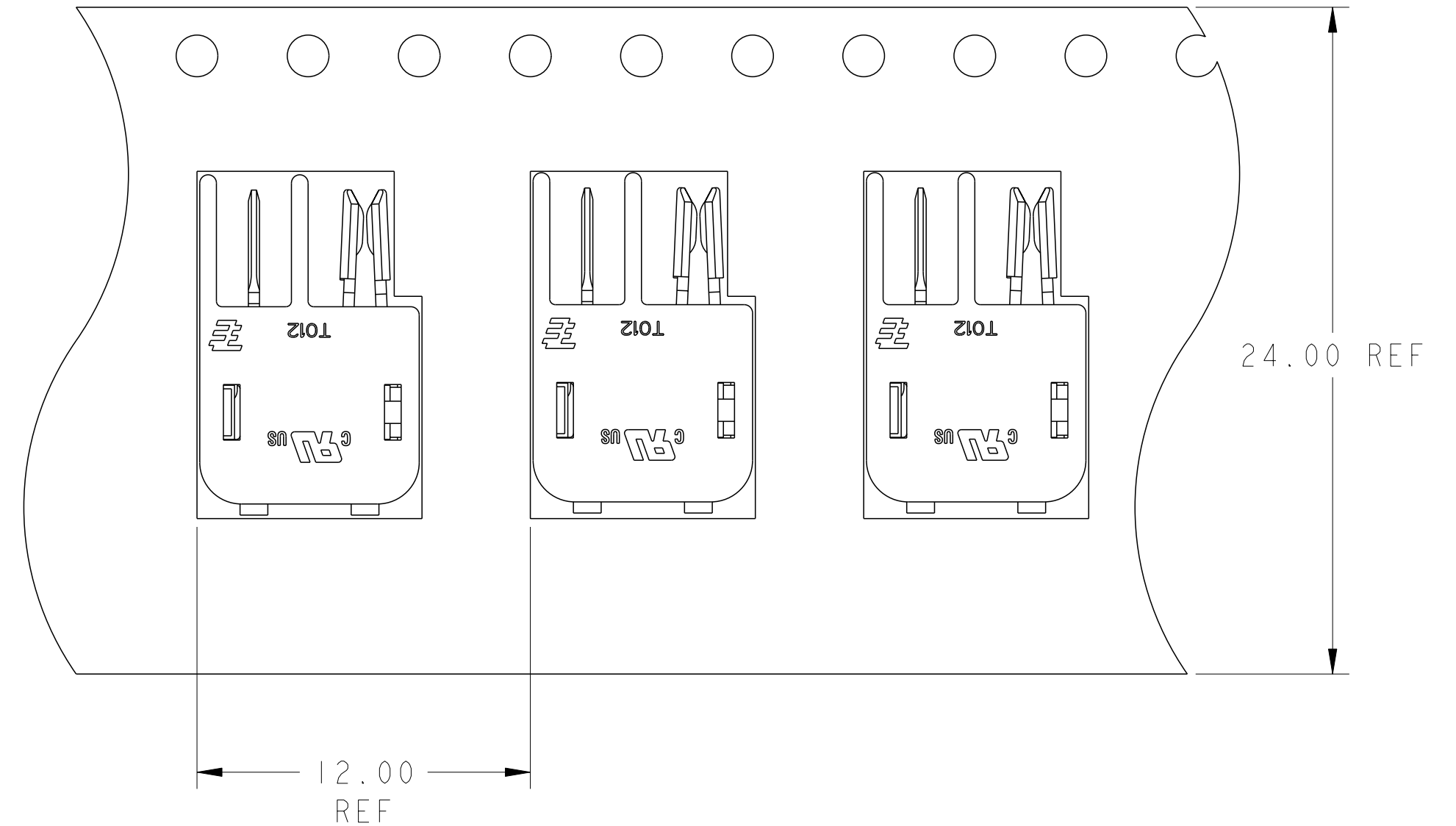


SCALE 6:1

RECOMMENDED PCB LAYOUT



SCALE 6:1



SCALE 5:1

PACKAGING OF 2106212-1

THIS DRAWING IS A CONTROLLED DOCUMENT.		DWN R NARANG 12FEB2009	TE Connectivity	
		CHK R NARANG 12FEB2009		
DIMENSIONS:		APVD -	NAME HERMAPHRODITIC BLADE AND RECEPTACLE CONNECTOR ASSEMBLY, WITH BOSS	
mm		PRODUCT SPEC 108-2342	SIZE -	
TOLERANCES UNLESS OTHERWISE SPECIFIED:		APPLICATION SPEC 114-13225	CAGE CODE A200779	DRAWING NO C-2106212
0 PLC ±-		WEIGHT -	RESTRICTED TO	
1 PLC ±-		CUSTOMER DRAWING	SCALE 2:1 SHEET 2 OF 2 REV A2	
2 PLC ±0.13				
3 PLC ±0.013				
4 PLC ±-				
ANGLES ±1°				
FINISH				

printed on 29 Jan 2024 12:32 (Eastern Standard Time) from US018641