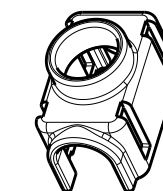
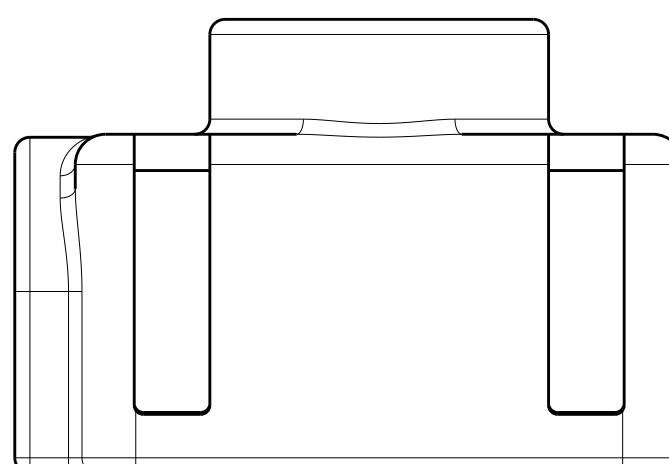
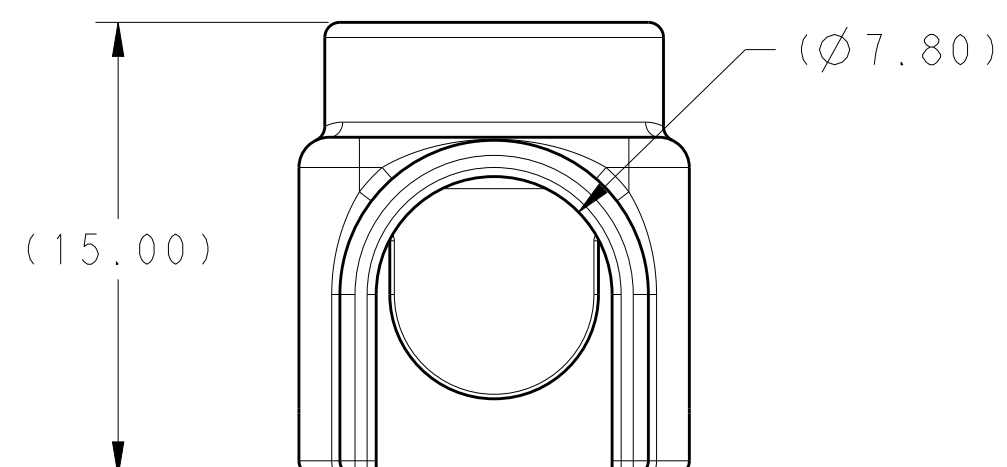
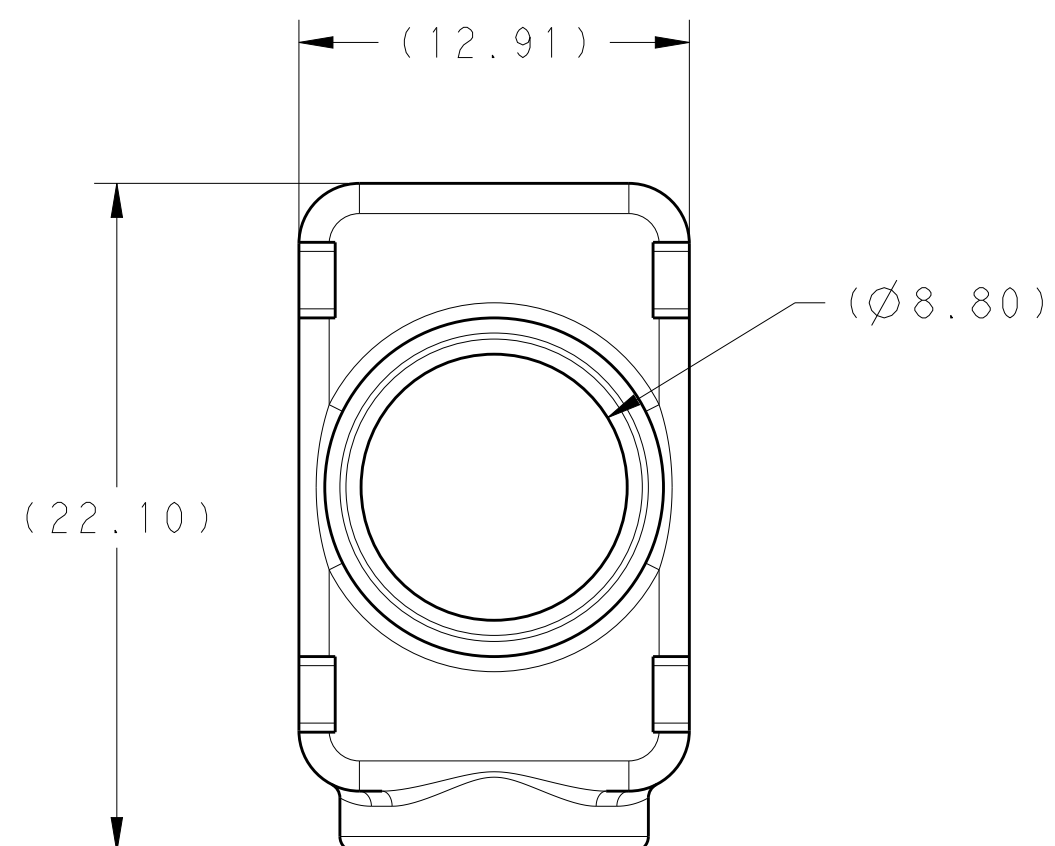


THIS DRAWING IS UNPUBLISHED. RELEASED FOR PUBLICATION 20  
 © COPYRIGHT 20 BY TYCO ELECTRONICS CORPORATION ALL RIGHTS RESERVED.



ISOMETRIC VIEW  
SCALE 1:1

REVISIONS				
P	LTR	DESCRIPTION	DATE	APVD
1		INITIAL CUSTOMER DRAWING	01DEC2014	TJG AB
A		ECO-14-018660	15DEC2014	DS AB



△ MATERIAL:  
TYPE : PBT 17GF  
COLOR: WHITE

2103903-1  
PART NO.

THIS DRAWING IS A CONTROLLED DOCUMENT.		DWN I GREEN 01DEC2014	TE Connectivity	
DIMENSIONS:		CHK A BOYER 01DEC2014		
mm	TOLERANCES UNLESS OTHERWISE SPECIFIED:	APVD A GUANCO 01DEC2014	NAME HV CAP SERVICE DISCONNECT, UNSEALED, AMP+ SD 125	
 0 PLC ± 1 PLC ±0.3 2 PLC ±0.13 3 PLC ± 4 PLC ± ANGLES ± FINISH -		PRODUCT SPEC -	RESTRICTED TO -	
MATERIAL	△	APPLICATION SPEC -	SIZE A2	CAGE CODE -
		WEIGHT 1.52g	DRAWING NO. C-2103903	
		Customer Drawing	SCALE 4:1	SHEET 1 OF 1