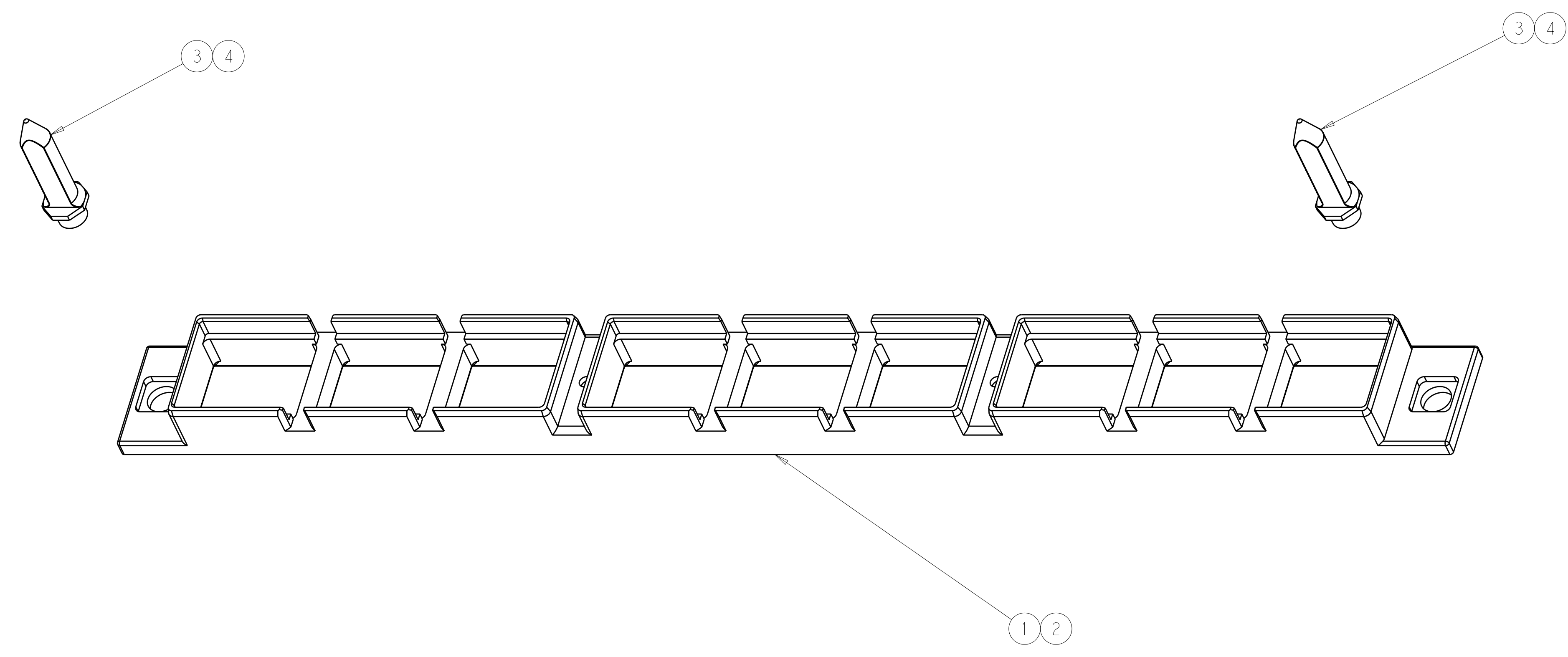


THIS PRINT IS
PRELIMINARY
 UNQUALIFIED PRODUCT
 CONTACT PRODUCT ENGINEERING
 BEFORE USING THIS PRINT



- ⚠ SEE INSTRUCTION SHEET 408-10464 FOR INSTALLATION PROCEDURE
- 2. ITEMS TO BE KIT PACKED
- 3. REFER TO COMPONENT DRAWINGS FOR MORE INFORMATION

2	-	1	-	2102992-6
1	1	1	-	2102992-5
-	2	1	-	2102992-4
2	-	-	1	2102992-3
1	1	-	1	2102992-2
-	2	-	1	2102992-1
2102502-4	2102502-2	2102428-2	2102428-1	PART NUMBER
④ NON-KEYED POST	③ KEYED POST	② BACKPLANE ENI SHELL	① CHROMATE BACKPLANE SHELL	PART DESCRIPTION

THIS DRAWING IS A CONTROLLED DOCUMENT.		DWN CHK	THACKSTON	29MAR2012
DIMENSIONS: mm		TOLERANCES UNLESS OTHERWISE SPECIFIED:		
		0 PLC	±	
		1 PLC	±0.13	
		2 PLC	±0.10	
		3 PLC	±	
		4 PLC	±	
		ANGLES	±	
MATERIAL		FINISH		
		WEIGHT	40.5 g	
		CUSTOMER DRAWING		
		SCALE	2:1	
		SHEET	1 OF 1	
		REV	1	