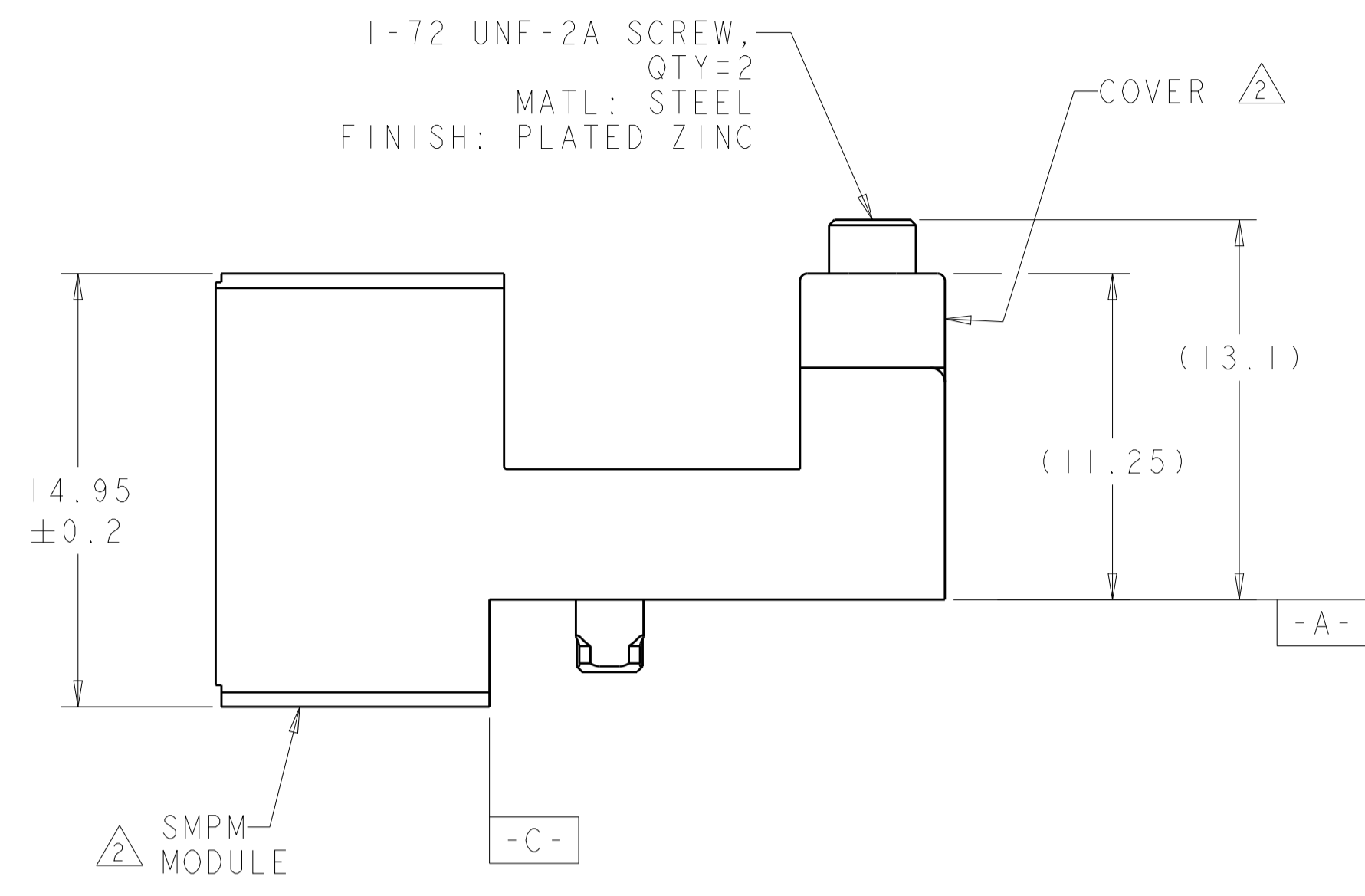
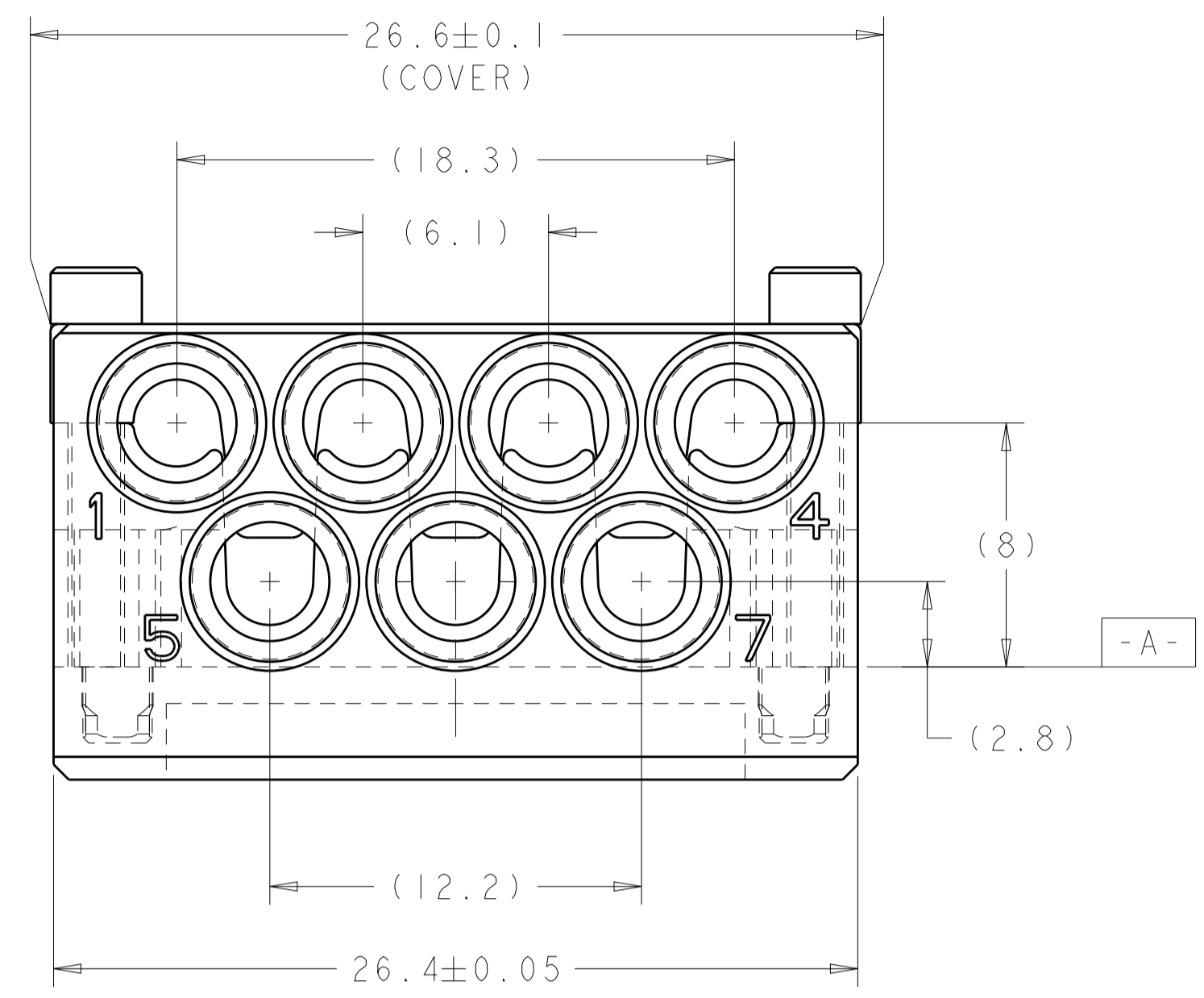


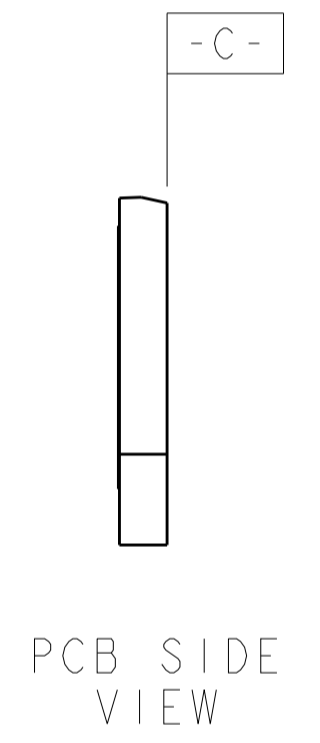
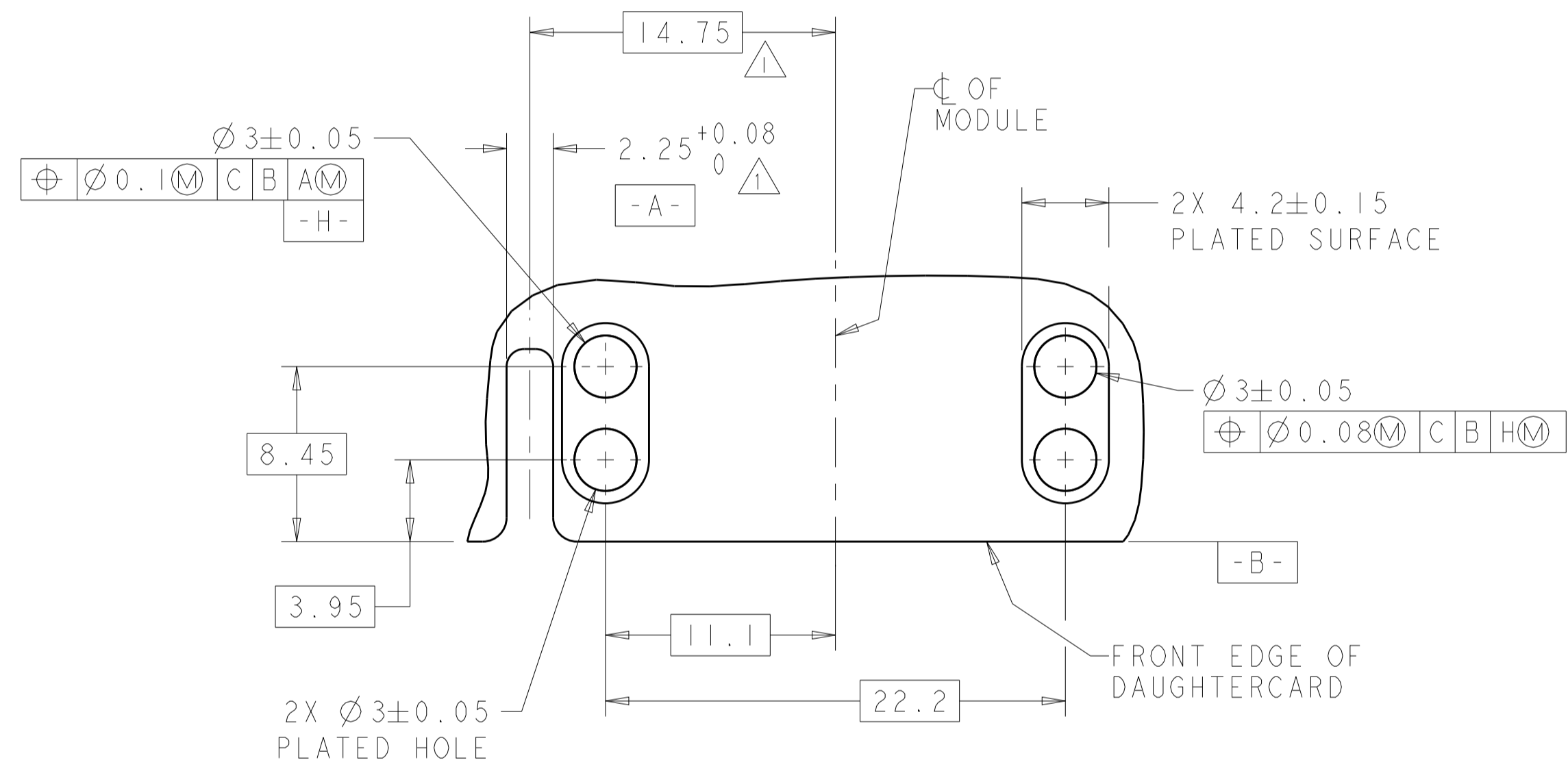
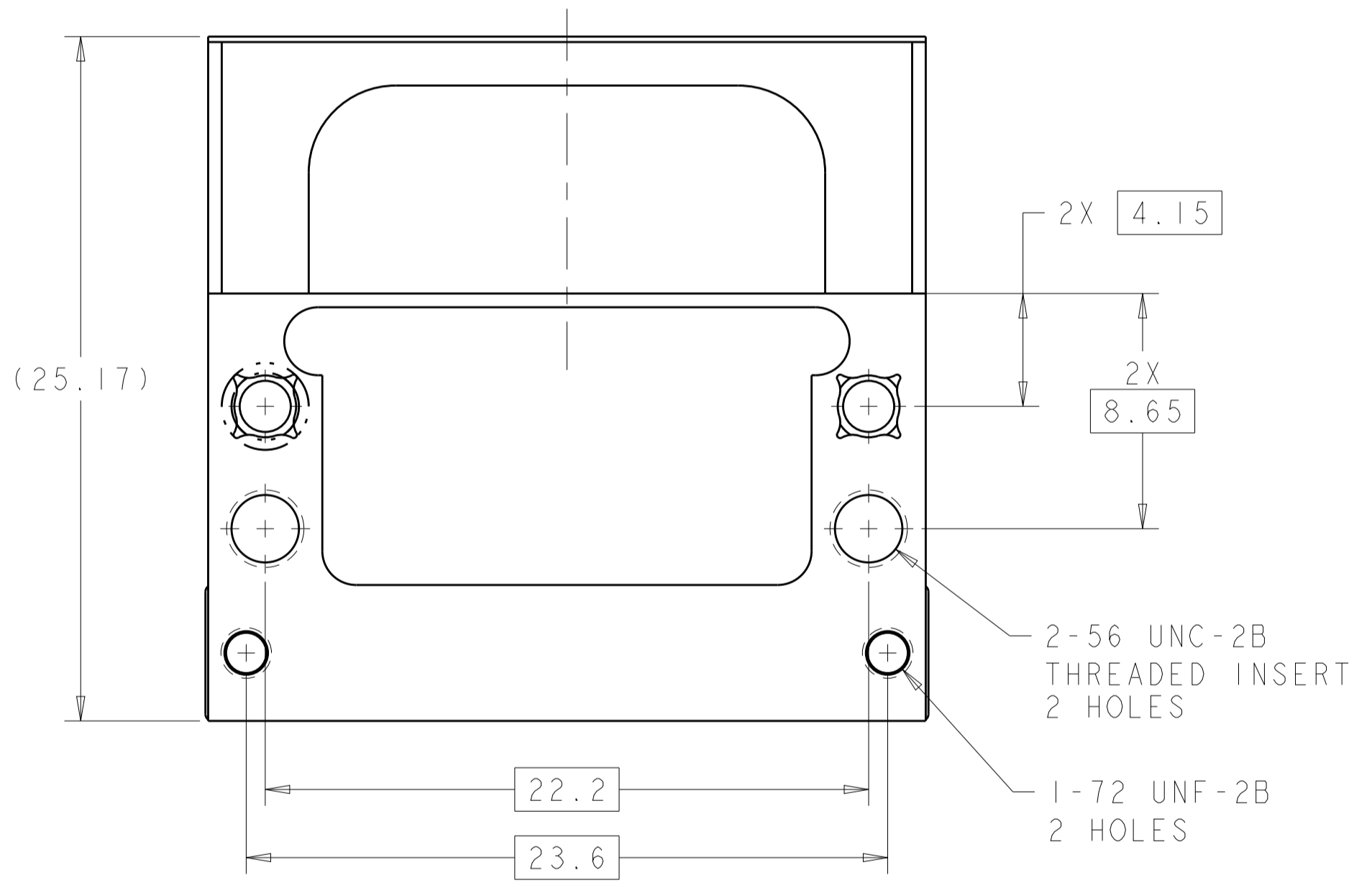
LOC	DIST	REVISIONS					
		P	LTN	DESCRIPTION	DATE	DWN	APVD
A5	DF	A		RELEASED PER ECO 12-020238	11-16-12	CT	DH



1 THE 2.25 FEATURE, [-A-], IS A TYPICAL HSR FAMILY LOCATING FEATURE. IN OTHER APPLICATIONS OF THIS MODULE A DIFFERENT FEATURE MAY BE USED FOR ESTABLISHING CORRECT LOCATION. THE [14.75] DIMENSION MAY BE REPLACED WITH OTHER VALUES FOR LOCATING THIS MODULE IN DIFFERENT POCKETS OF VARIOUS HSR CONFIGURATIONS.

2 MATL: ALUMINUM PER ASTM-B-209. FINISH: ELECTROLESS NICKEL PER AMS-C-26074 CLASS 1.

3. PARTS SHIPPED UNASSEMBLED.



AS SHOWN	7	2102272-1
DESCRIPTION	MATERIAL AND FINISH	KIT NUMBER

THIS DRAWING IS A CONTROLLED DOCUMENT.		DWN: 09JUL2010 Brent D. Toth	 TE Connectivity
DIMENSIONS: mm		CHK: 13JUL2010 CHONG YI	
TOLERANCES UNLESS OTHERWISE SPECIFIED:		APVD: 13JUL2010 CHONG YI	NAME: KIT, MODULE AND STRAIN RELIEF, 7 POSN, SMPM, PLUG, DAUGHTER CARD, HSR, UNSEALED
0 PLC ± 1 PLC ±0.1 2 PLC ±0.05 3 PLC ± 4 PLC ± ANGLES ±		PRODUCT SPEC APPLICATION SPEC WEIGHT SIZE: A100779C=2102272 SCALE: 5:1 SHEET 1 OF 1 REV A	
MATERIAL: SEE TABLE		FINISH: SEE TABLE	Customer Drawing