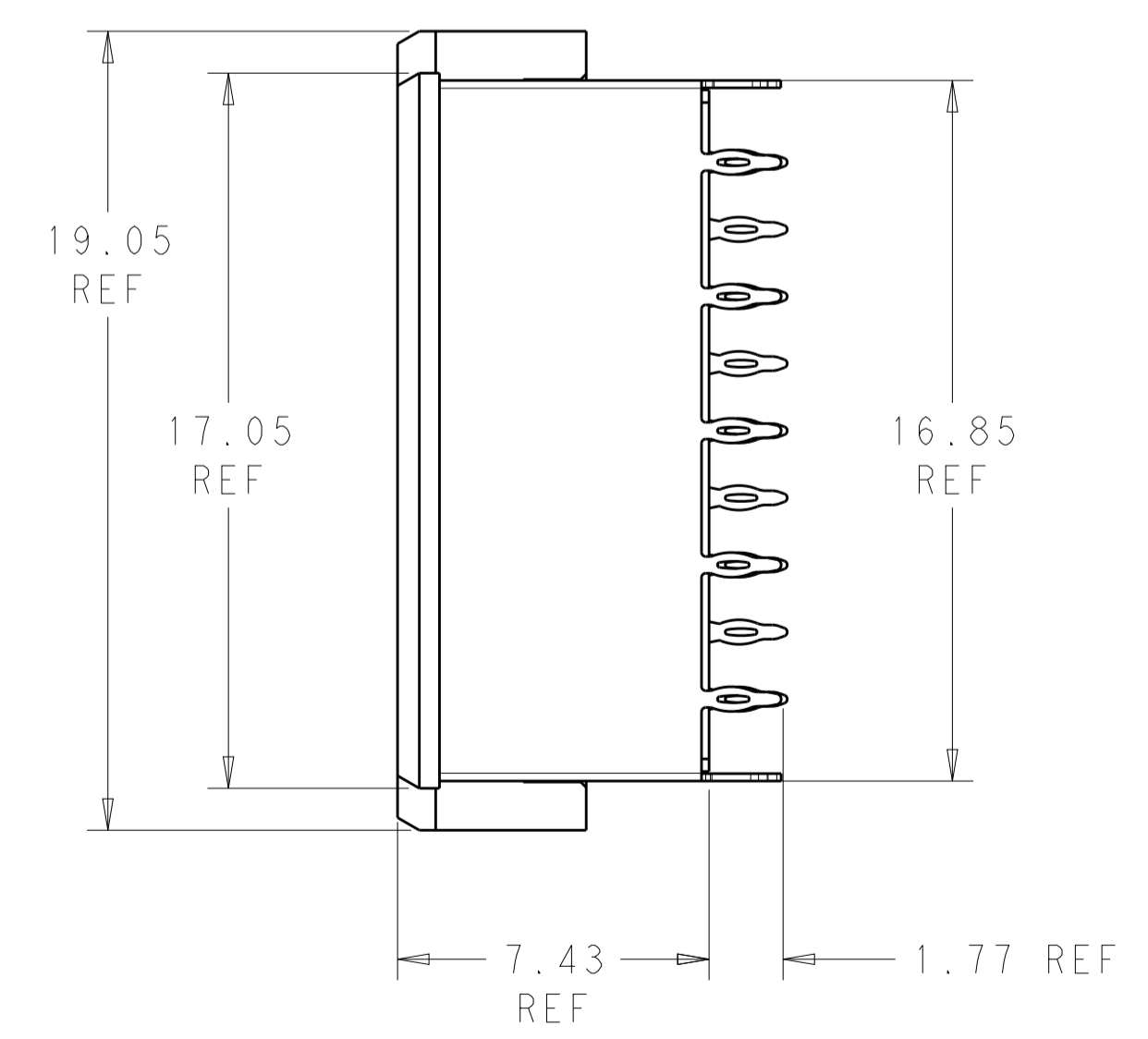
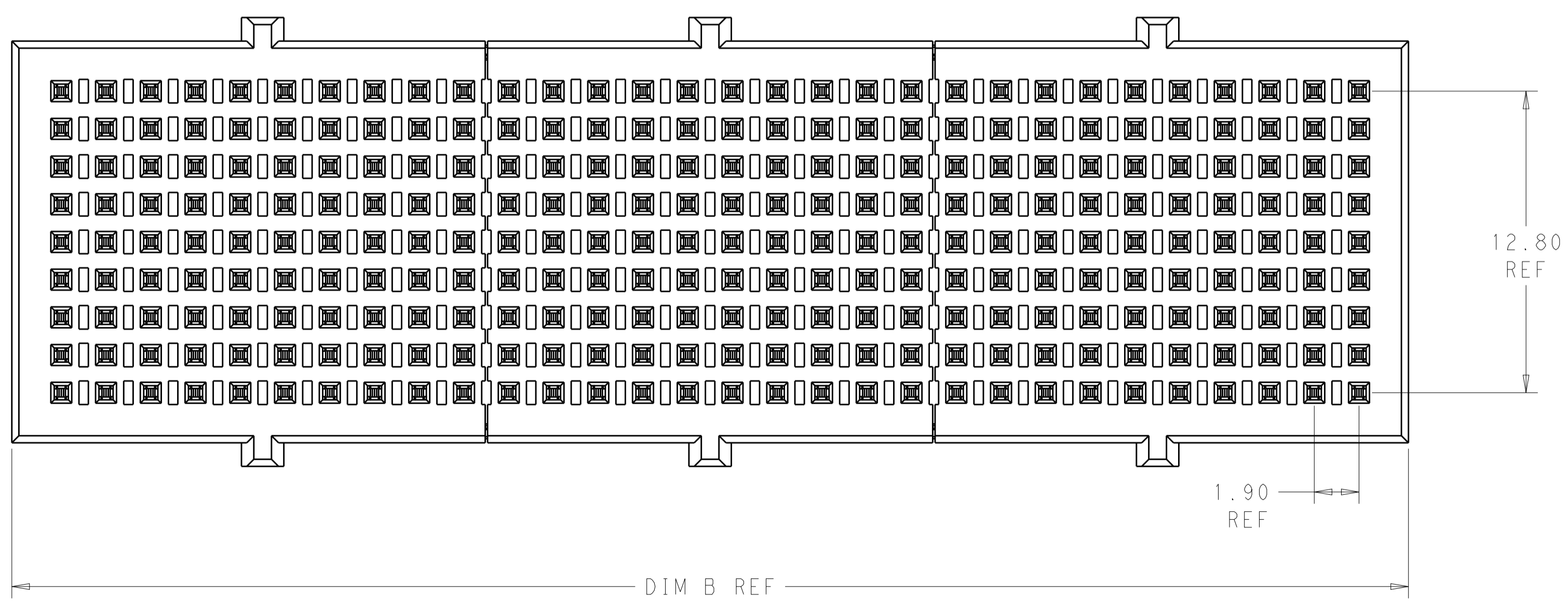
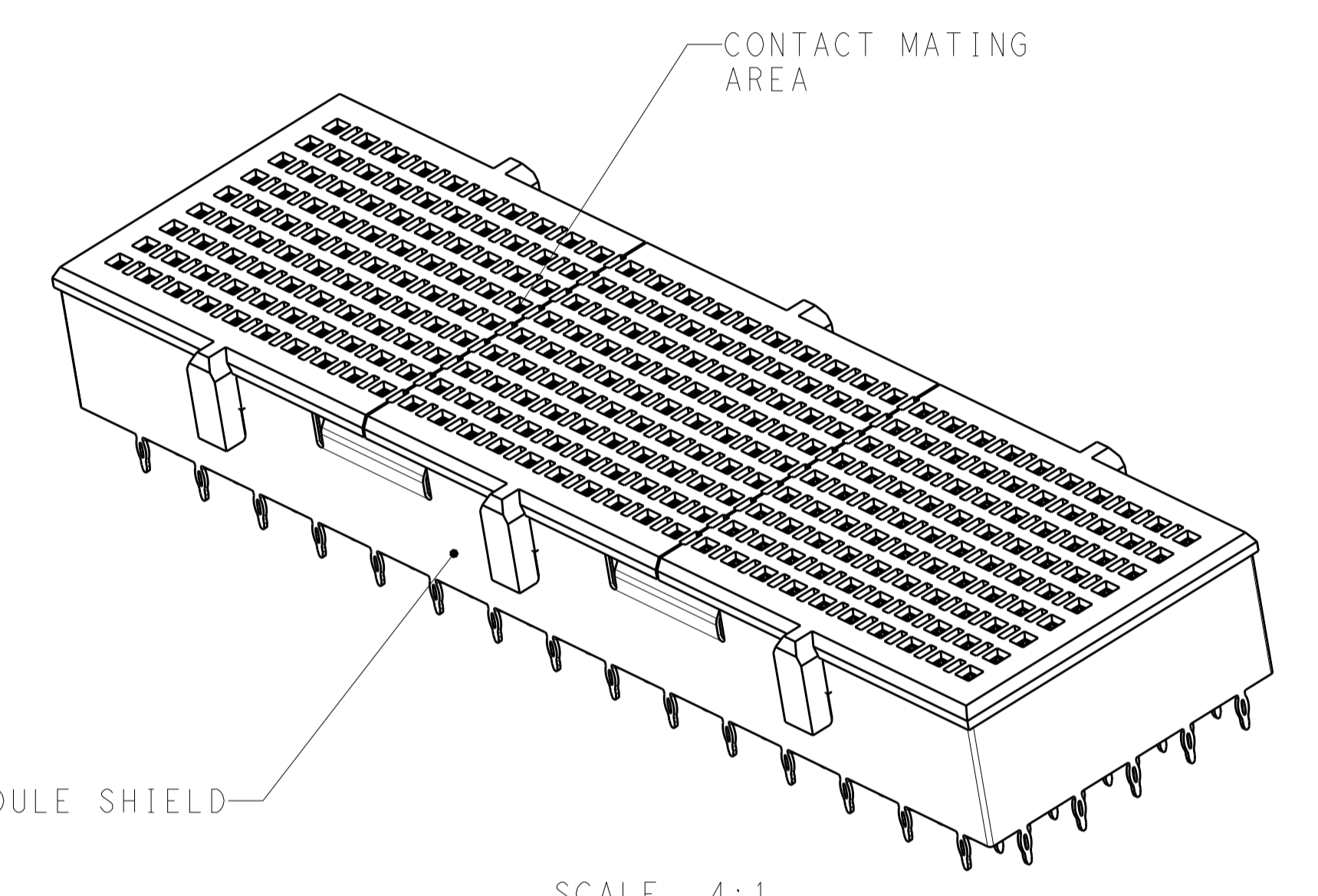
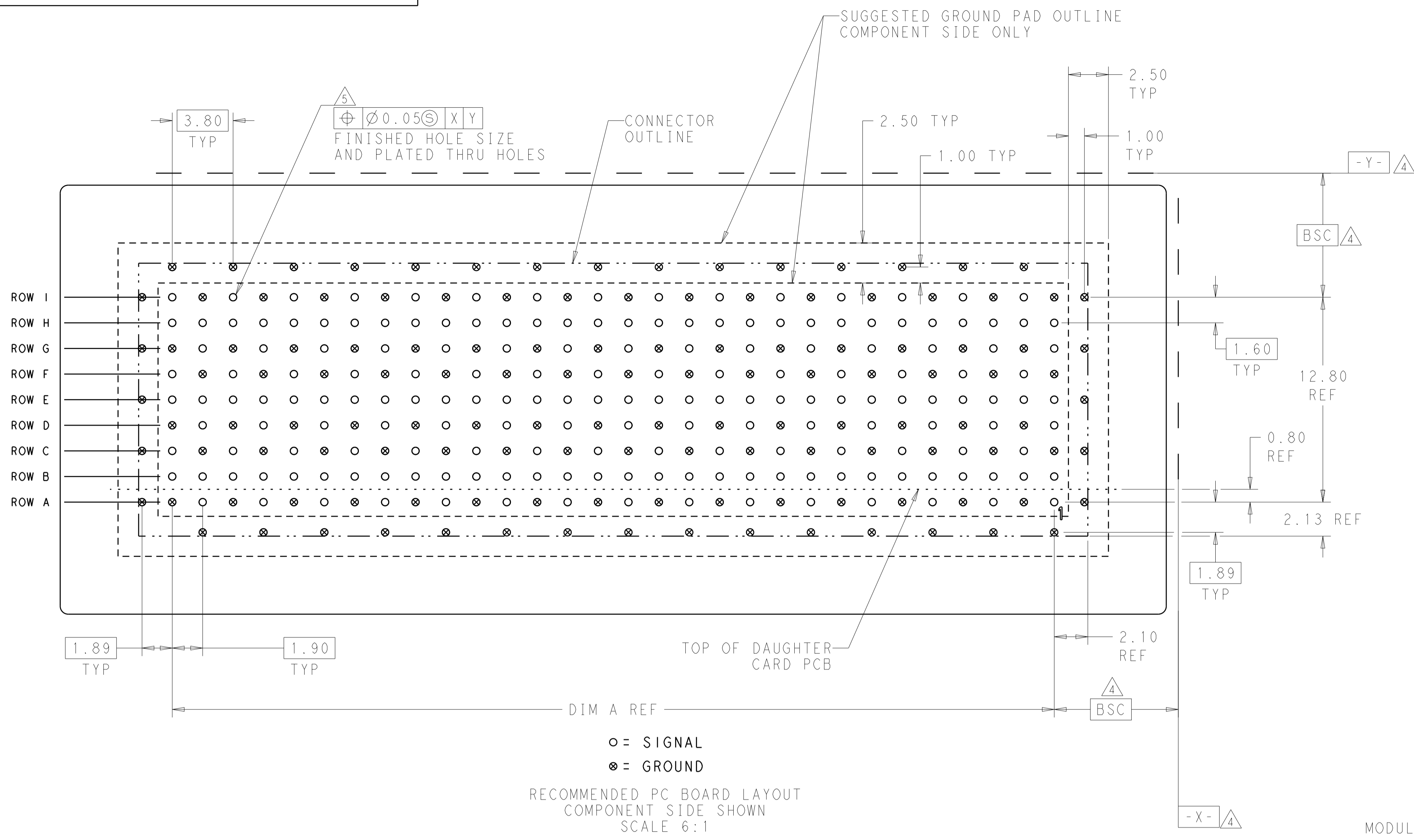


REVISIONS				
P.	LTH	DESCRIPTION	DATE	APP'D
A		RELEASED PER ECO 17-012487	8-28-17	CT DH




THIS DRAWING IS A CONTROLLED DOCUMENT.		OWN: D. BELACK 23JUL2010	 TE Connectivity
DIMENSIONS: mm		CHK: A. TSANG 23JUL2010	
TOLERANCES UNLESS OTHERWISE SPECIFIED:		APP'D: M. McALONIS 23JUL2010	NAME: Fortis Zd. 3-PAIR, VERTICAL SHIELDED MODULE ASSEMBLY
0 PLC ±0.13		PRODUCT SPEC: 108-2409	SIZE: CAGE CODE DRAWING NO: A100779C=2102248
1 PLC ±0.05		APPLICATION SPEC: 114-13267	RESTRICTED TO: -
2 PLC ±0.05		WEIGHT: -	SCALE: 6:1 SHEET 1 OF 2 REV A
3 PLC ±0.05		CUSTOMER DRAWING	
4 PLC ±0.05			
ANGLES ±2°			
MATERIAL: -			
FINISH: -			

THIS DRAWING IS UNPUBLISHED. RELEASED FOR PUBLICATION 20  
 © COPYRIGHT 20 BY - ALL RIGHTS RESERVED.

REVISIONS				
P.	LTN	DESCRIPTION	DATE	APP'D
-	-	SEE SHEET 1	-	-

- 1 MATERIAL:  
 CONTACT - BERYLLIUM COPPER ALLOY  
 HOUSING - BLACK LCP  
 SHIELD - NICKEL SILVER PER UNS C77000
- 2 FINISH:  
 MATING AREA: 1.27µm MIN GOLD OVER  
                   3.81µm MIN NICKEL  
 COMPLIANT PIN AREA: 0.5µm MIN 93/7 SnPb OVER  
                           1.27µm MIN NICKEL
- 3 FINISH:  
 MATING AREA: 1.27µm MIN GOLD OVER  
                   3.81µm MIN NICKEL  
 COMPLIANT PIN AREA: 0.5µm MIN Sn OVER  
                           1.27µm MIN NICKEL
- 4 DATUMS AND BASIC DIMENSIONS ESTABLISHED BY CUSTOMER.
- 5 REFERENCE APPLICATION SPEC 114-13267 FOR RECOMMENDED PLATING THRU HOLE DIAMETER AND PLATING THICKNESS.

23.33	116.30	112.10	3	60 COLUMN	180	2-2102248-6
19.58	97.30	93.10	3	50 COLUMN	150	2-2102248-5
15.82	78.30	74.10	3	40 COLUMN	120	2-2102248-4
12.07	59.30	55.10	3	30 COLUMN	90	2-2102248-3
8.32	40.30	36.10	3	20 COLUMN	60	2-2102248-2
4.56	21.30	17.10	3	10 COLUMN	30	2-2102248-1
23.33	116.30	112.10	2	60 COLUMN	180	2102248-6
19.58	97.30	93.10	2	50 COLUMN	150	2102248-5
15.82	78.30	74.10	2	40 COLUMN	120	2102248-4
12.07	59.30	55.10	2	30 COLUMN	90	2102248-3
8.32	40.30	36.10	2	20 COLUMN	60	2102248-2
4.56	21.30	17.10	2	10 COLUMN	30	2102248-1
WEIGHT(g)	DIM "B"	DIM "A"	COMPLIANT PIN PLATING	DESCRIPTION	DIFF PAIRS	PART NUMBER

THIS DRAWING IS A CONTROLLED DOCUMENT.		OWN: D. BELACK 23JUL2010	 TE Connectivity
DIMENSIONS: mm		CHK: A. TSANG	
TOLERANCES UNLESS OTHERWISE SPECIFIED:		APVD: M. McALONIS	NAME: Fortis Zd, 3-PAIR, VERTICAL SHIELDED MODULE ASSEMBLY
0 PLC ±0.13		PRODUCT SPEC: 108-2409	SIZE: A1
1 PLC ±0.05		APPLICATION SPEC: 114-13267	CAGE CODE: 2102248
2 PLC ±0.05		WEIGHT: -	RESTRICTED TO: -
3 PLC ±0.05		CUSTOMER DRAWING	SCALE: 6:1 SHEET 2 OF 2 REV A
ANGLES ±2°			
FINISH: -			