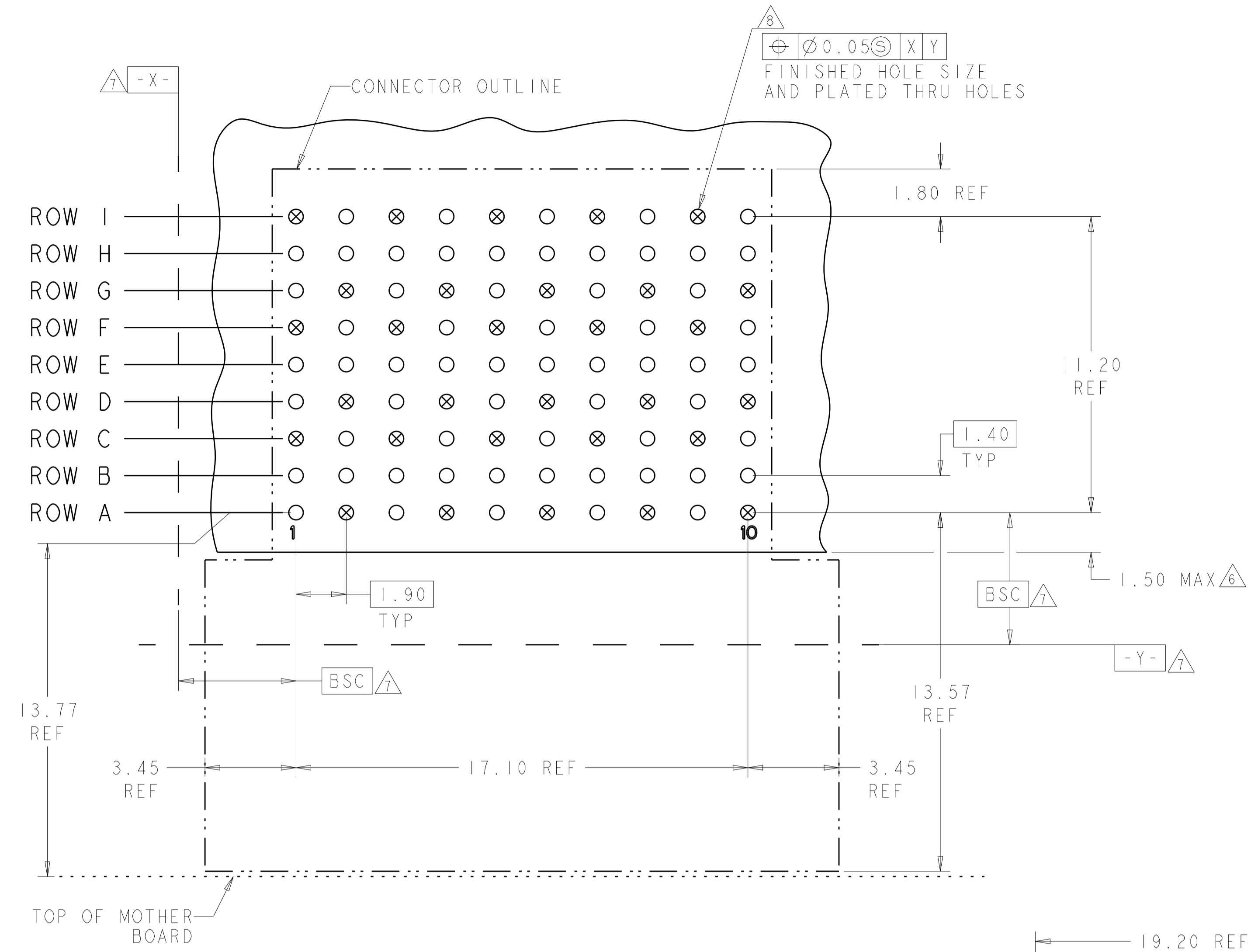


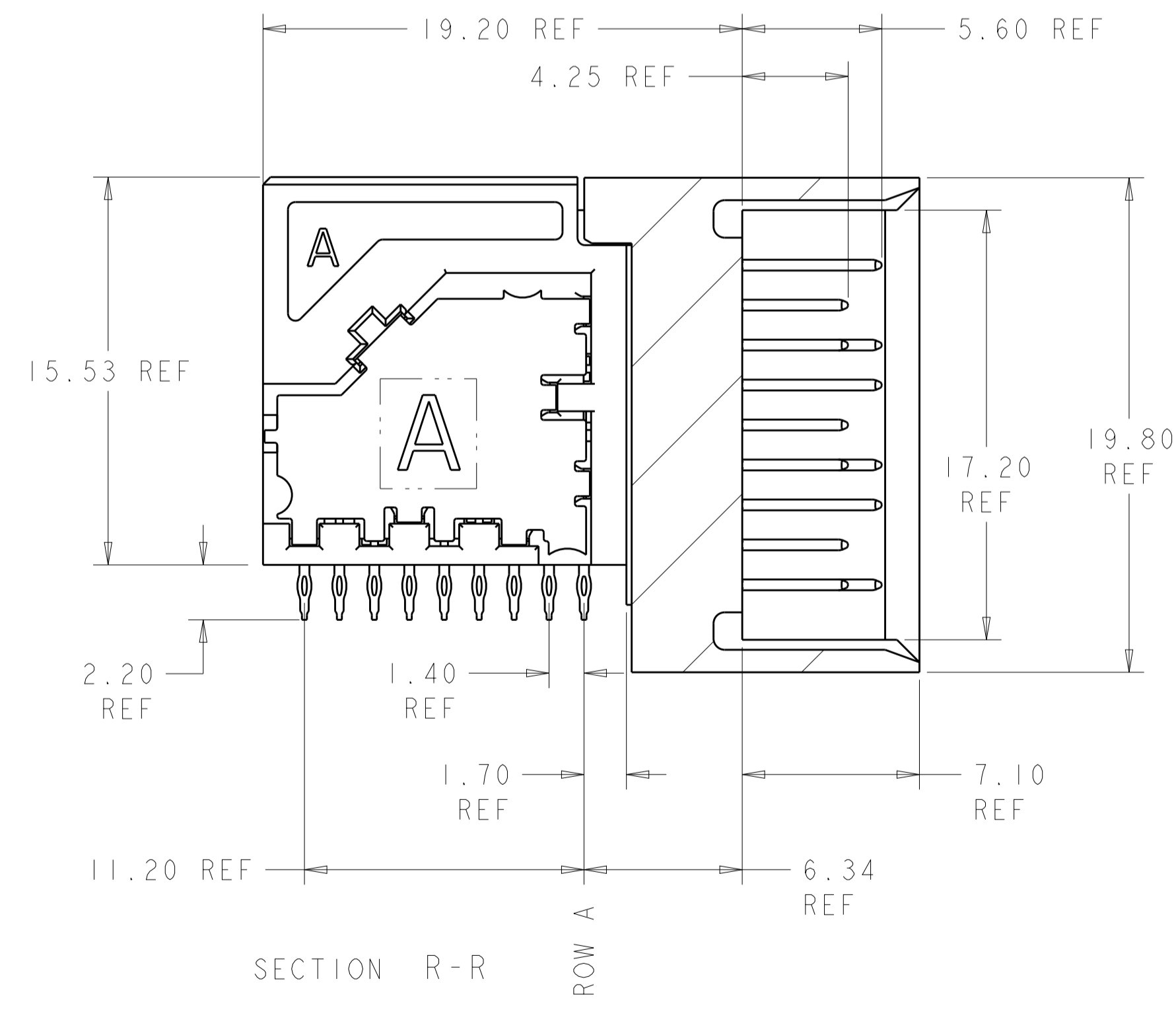
| LOC | | DIST | | REVISIONS | | | |
|-----|-----|-----------------------|-----------|-----------|------|--|--|
| P | LTN | DESCRIPTION | DATE | DWN | APVD | | |
| B | | REV PER ECO 12-010940 | 7-31-12 | CT | DH | | |
| C | | ECO-13-004755 | 26MAR2013 | KG | DH | | |
| D | | ECO-14-017030 | 25NOV2014 | MGM | CT | | |



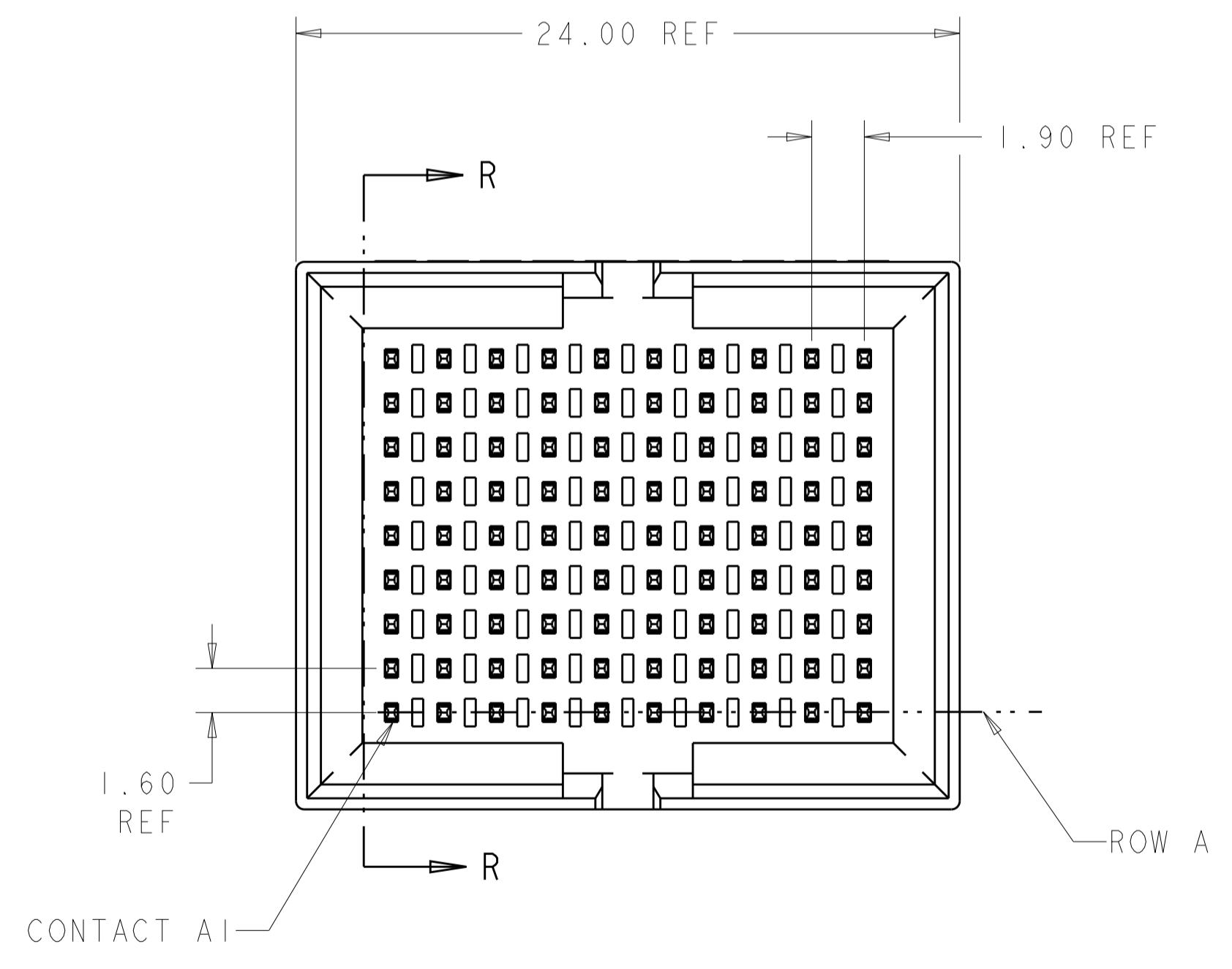
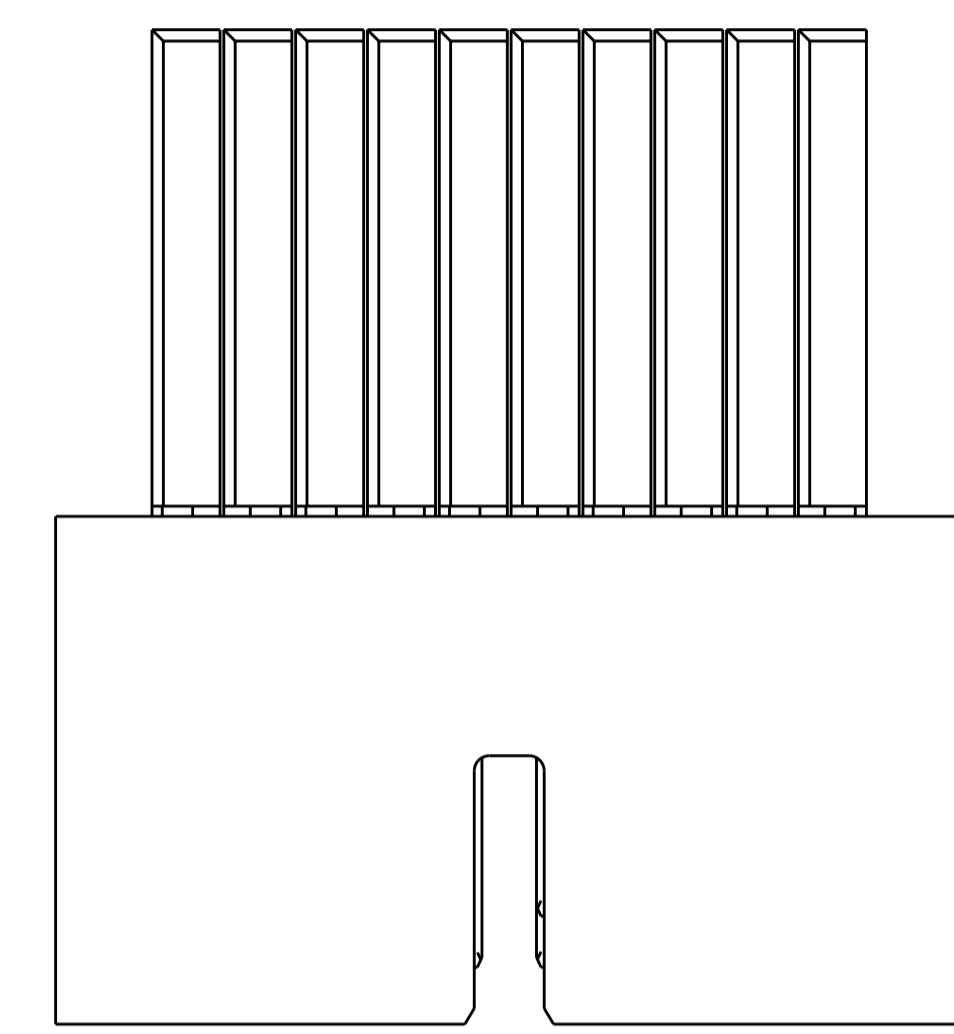
○ = SIGNAL
 ⊗ = GROUND

RECOMMENDED PC BOARD LAYOUT
 COMPONENT SIDE SHOWN
 SCALE 8:1

- △ MATERIAL:
CONTACT AND SHIELD: COPPER ALLOY
HOUSING AND CHICKLET: LCP, COLOR: BLACK
- △ FINISH:
CONTACT: MATING AREA: 1.27μm MIN GOLD OVER
1.27μm MIN NICKEL
SHIELD: 1.27μm MIN NICKEL
- △ FINISH:
COMPLIANT PIN AREA: 0.38μm MIN BRIGHT TIN LEAD OVER
1.27μm MIN NICKEL
- △ FINISH:
COMPLIANT PIN AREA: 0.38μm MIN MATTE TIN OVER
1.27μm MIN NICKEL
- △ ---
- △ DIMENSION APPLIES TO CENTERLINE OF THRU HOLE.
- △ DATUMS AND BASIC DIMENSIONS ESTABLISHED BY CUSTOMER.
- △ REFERENCE APPLICATION SPEC 114-13267 FOR RECOMMENDED PLATED THRU HOLE DIAMETER AND PLATING THICKNESS.
- △ ALL GROUNDS IN ODD NUMBERED COLUMNS ARE COMMONED.
ALL GROUNDS IN EVEN NUMBERED COLUMNS, EXCEPT FOR ROW A ARE COMMONED.



SECTION R-R



| | |
|--------|-------------|
| △ 4 | 2102155-2 |
| △ 3 | 2102155-1 |
| FINISH | PART NUMBER |

THIS DRAWING IS A CONTROLLED DOCUMENT. DIMENSIONING AND TOLERANCING PER: GPS (ISO STANDARDS). TOLERANCES UNLESS OTHERWISE SPECIFIED:

| | | | | | | | | |
|-------------|----|---------|------------|------------|------------|------------|--------|--------|
| DIMENSIONS: | mm | 0 PLC ± | 1 PLC ±.13 | 2 PLC ±.25 | 3 PLC ±.50 | 4 PLC ±.75 | ANGLES | FINISH |
|-------------|----|---------|------------|------------|------------|------------|--------|--------|

MATERIAL: FINISH:

OWN: D. BELACK 24JUN2009
 CHK: A. TSANG 6-24-2009
 APVD: M. McALONIS 6-24-2009

PRODUCT SPEC: 108-2409
 APPLICATION SPEC: 114-13267
 WEIGHT: ~14.07g

NAME: Fortis Zd, 3-PAIR, 10-COLUMN, R/A, FULL SHROUD ASSEMBLY DIFFERENTIAL PAIR
 SIZE: CAGE CODE DRAWING NO: A100779 C=2102155
 RESTRICTED TO:

CUSTOMER DRAWING SCALE: 5:1 SHEET 1 OF 1 REV D