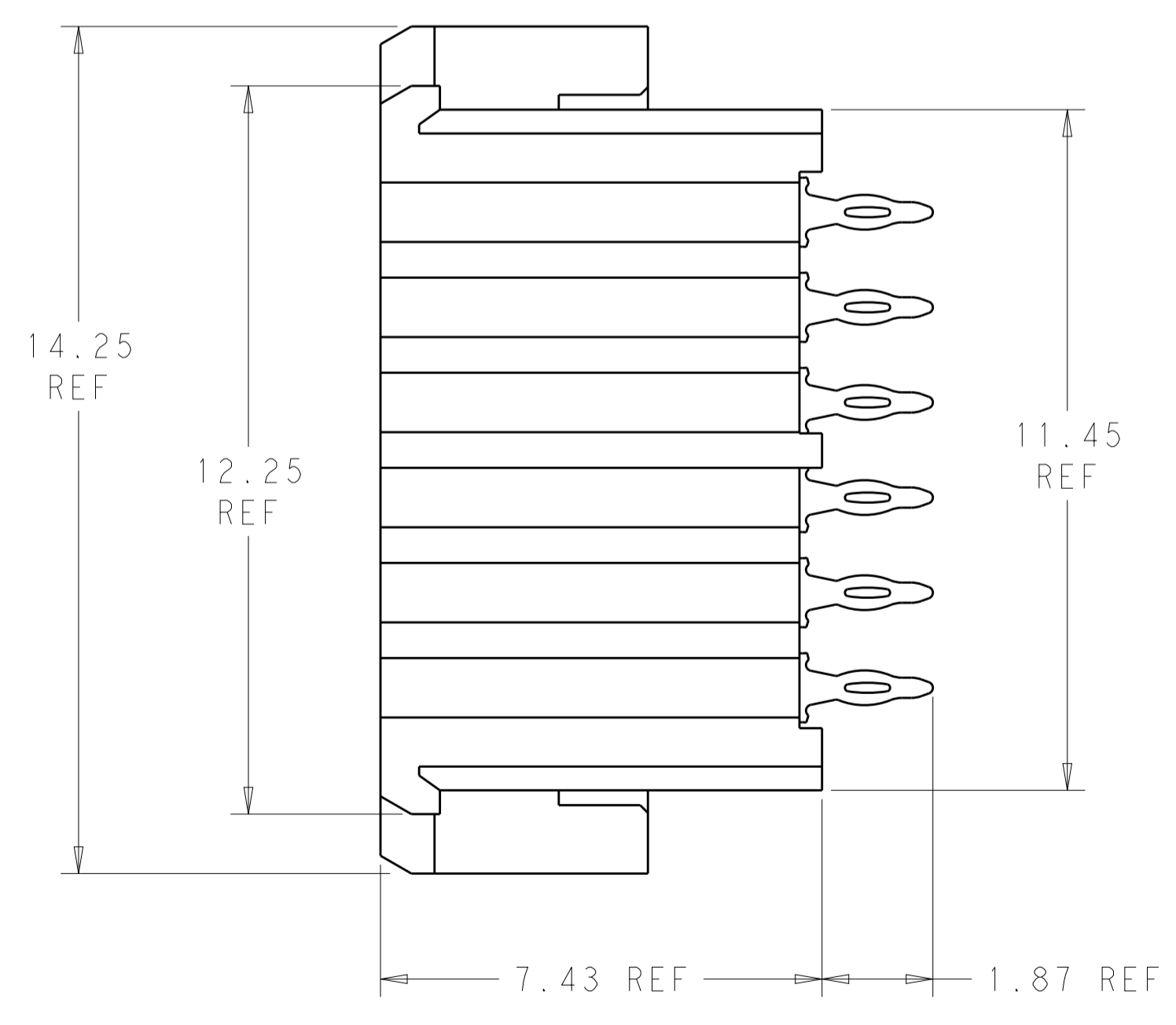
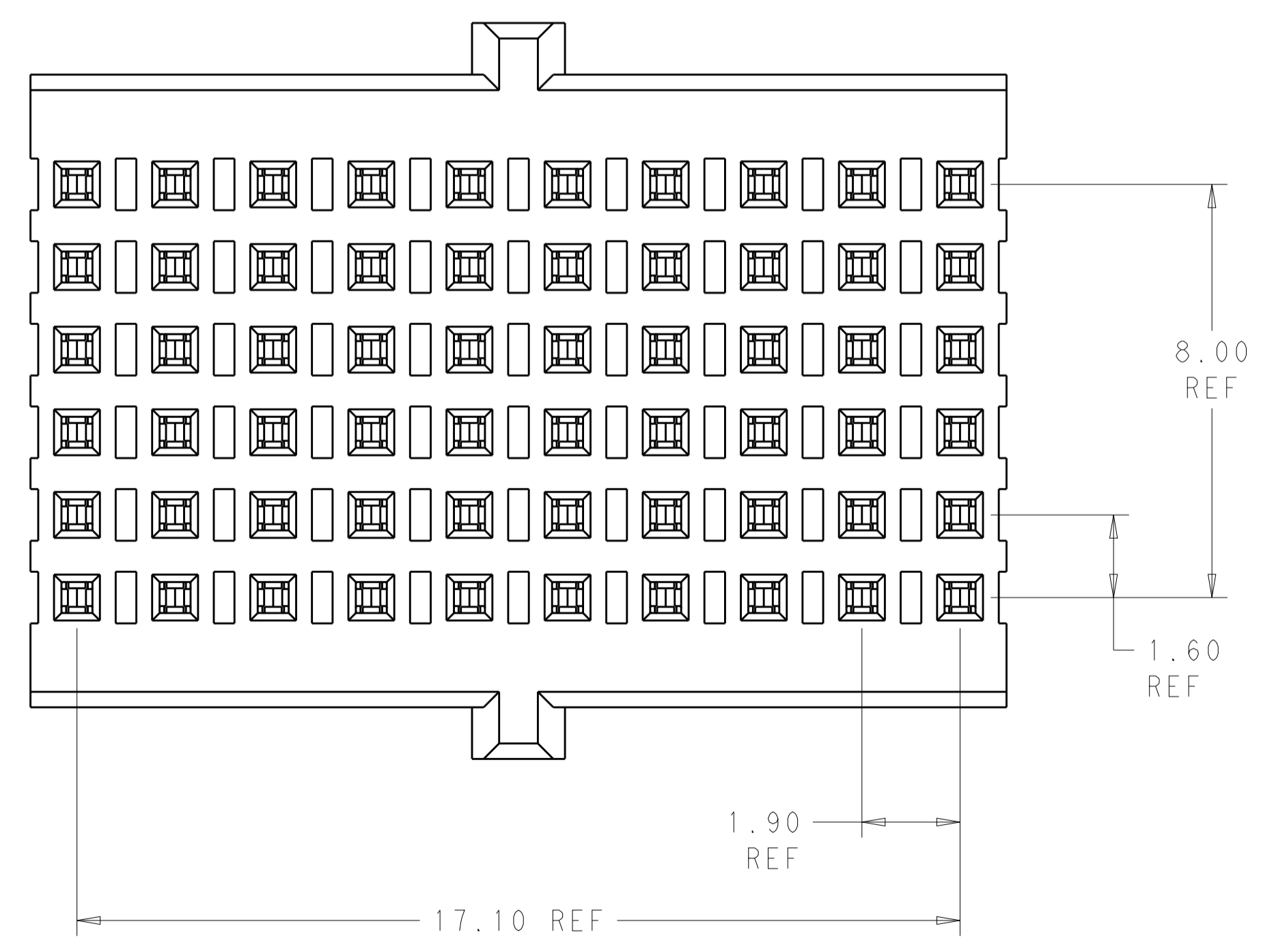
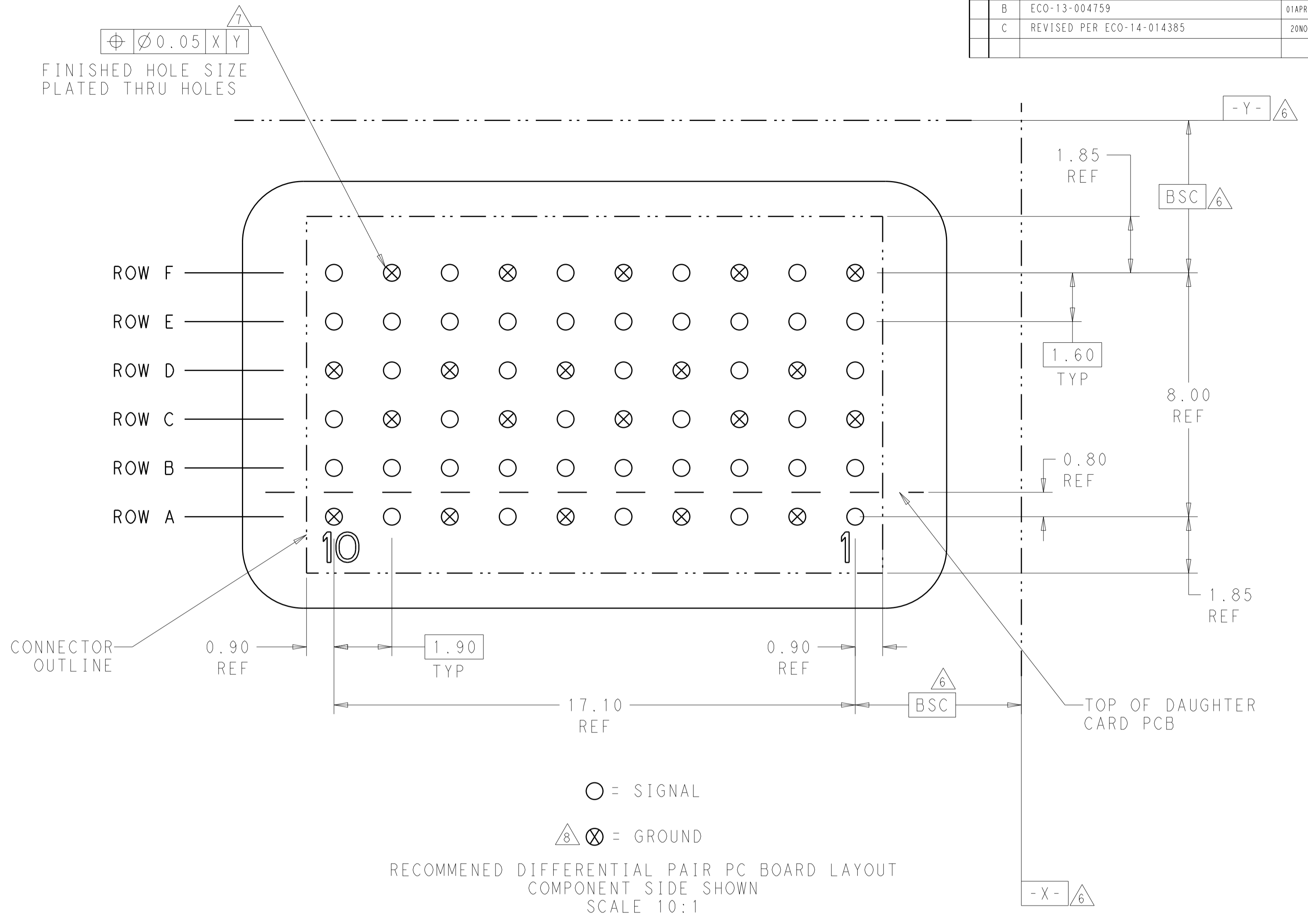
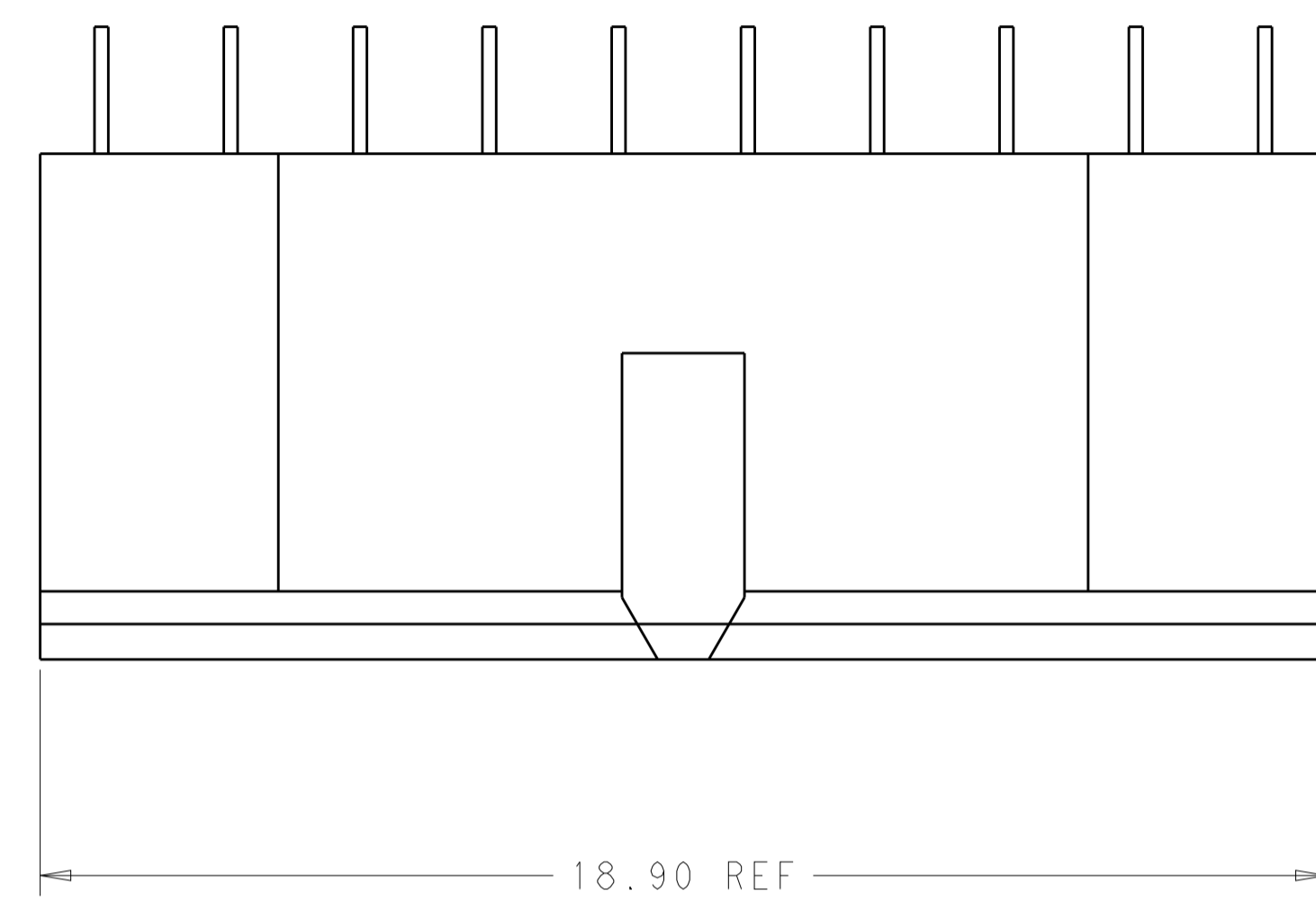


LOC	DIST	REV	DATE	BY	CHK	APPV
-	-	A	11OCT2012	MGM	CT	
-	-	B	01APR2013	KG	DH	
-	-	C	20NOV14	MGM	CT	



- 1 MATERIAL:
CONTACT - COPPER ALLOY
HOUSING - LCP, COLOR - BLACK
- 2 FINISH:
MATING AREA: 1.27µm MIN GOLD OVER
1.25µm MIN NICKEL
- 3 FINISH:
COMPLIANT PIN AREA: 0.38µm MIN BRIGHT TIN LEAD
OVER 1.27µm MIN NICKEL
- 4 FINISH:
COMPLIANT PIN AREA: 0.38µm MIN MATTE TIN
OVER 1.27µm MIN NICKEL
- 5 --
- 6 DATUMS AND BASIC DIMENSIONS ESTABLISHED BY CUSTOMER.
- 7 REFERENCE APPLICATION SPEC 114-13267 FOR RECOMMENDED
PLATING THRU HOLE DIAMETER AND PLATING THICKNESS.
- 8 RECOMMENDED DIFFERENTIAL PAIR CONFIGURATION SHOWN.
THE CONNECTOR UTILIZES AN OPEN PIN FIELD AND
CAN BE LAID OUT IN A SINGLE-ENDED CONFIGURATION.

2 4	2102093-2
2 3	2102093-1
FINISH	PART NUMBER

THIS DRAWING IS A CONTROLLED DOCUMENT. DIMENSIONING AND TOLERANCING PER ASME Y14.5M-2009. TOLERANCES UNLESS OTHERWISE SPECIFIED:		DWN D. BELACK ZANOV2010	TE Connectivity	
DIMENSIONS: mm		CHK A. TSANG	NAME Fortis Zd. 2-PAIR, 10-COLUMN, VERTICAL, CENTER MODULE ASSEMBLY	
0 PLC ±0.13	1 PLC ±0.13	APPV M. McALONIS	PRODUCT SPEC 108-2409	
2 PLC ±0.05	3 PLC ±0.05	APPLICATION SPEC 114-13267		
4 PLC ±0.05	5 PLC ±0.05	SIZE CAGE CODE DRAWING NO RESTRICTED TO		
ANGLES ±0.2°	FINISH	WEIGHT ~2.40 g A100779C=2102093		
MATERIAL	FINISH	CUSTOMER DRAWING SCALE 10:1 SHEET 1 OF 1 REV C		