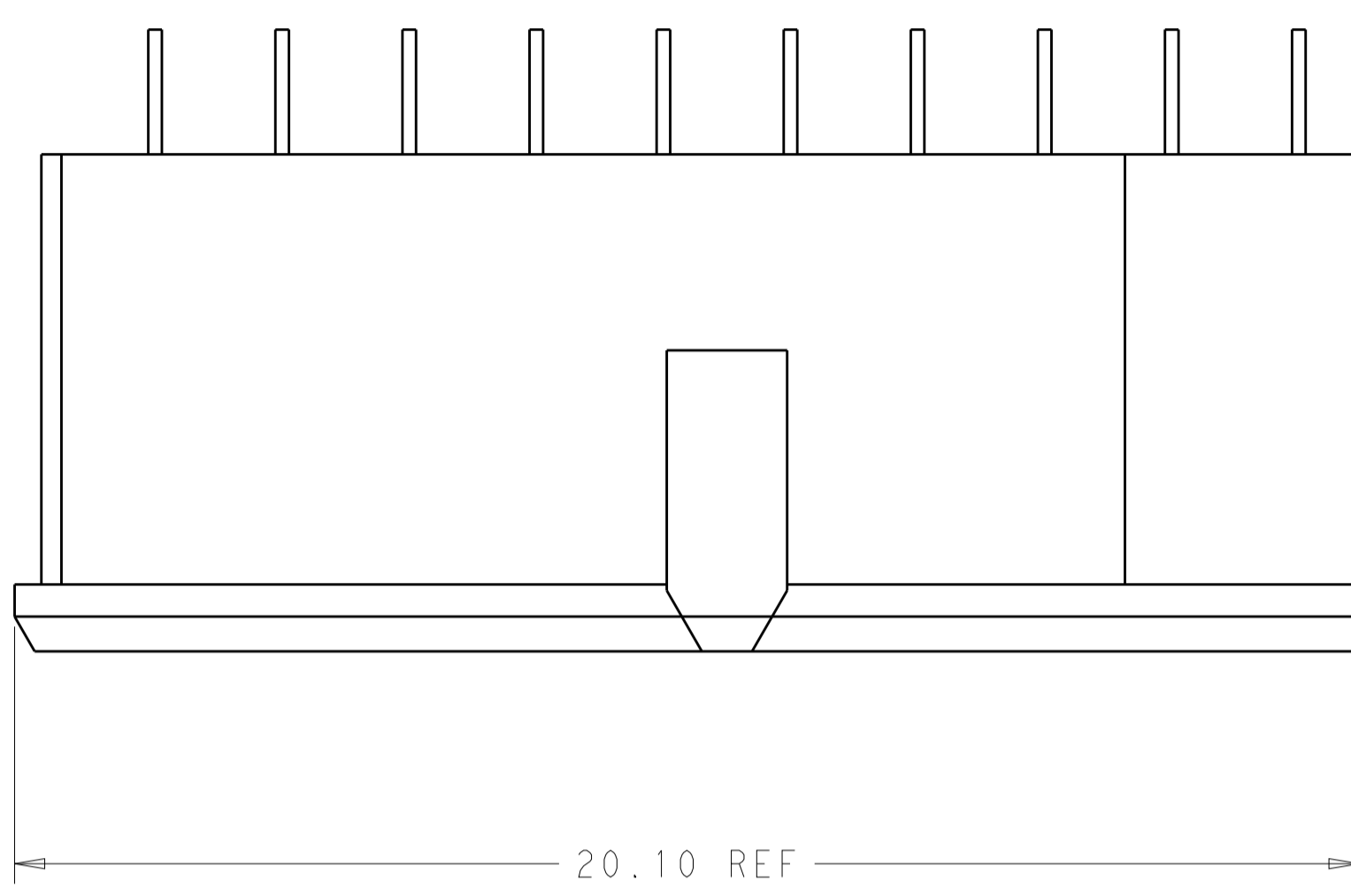
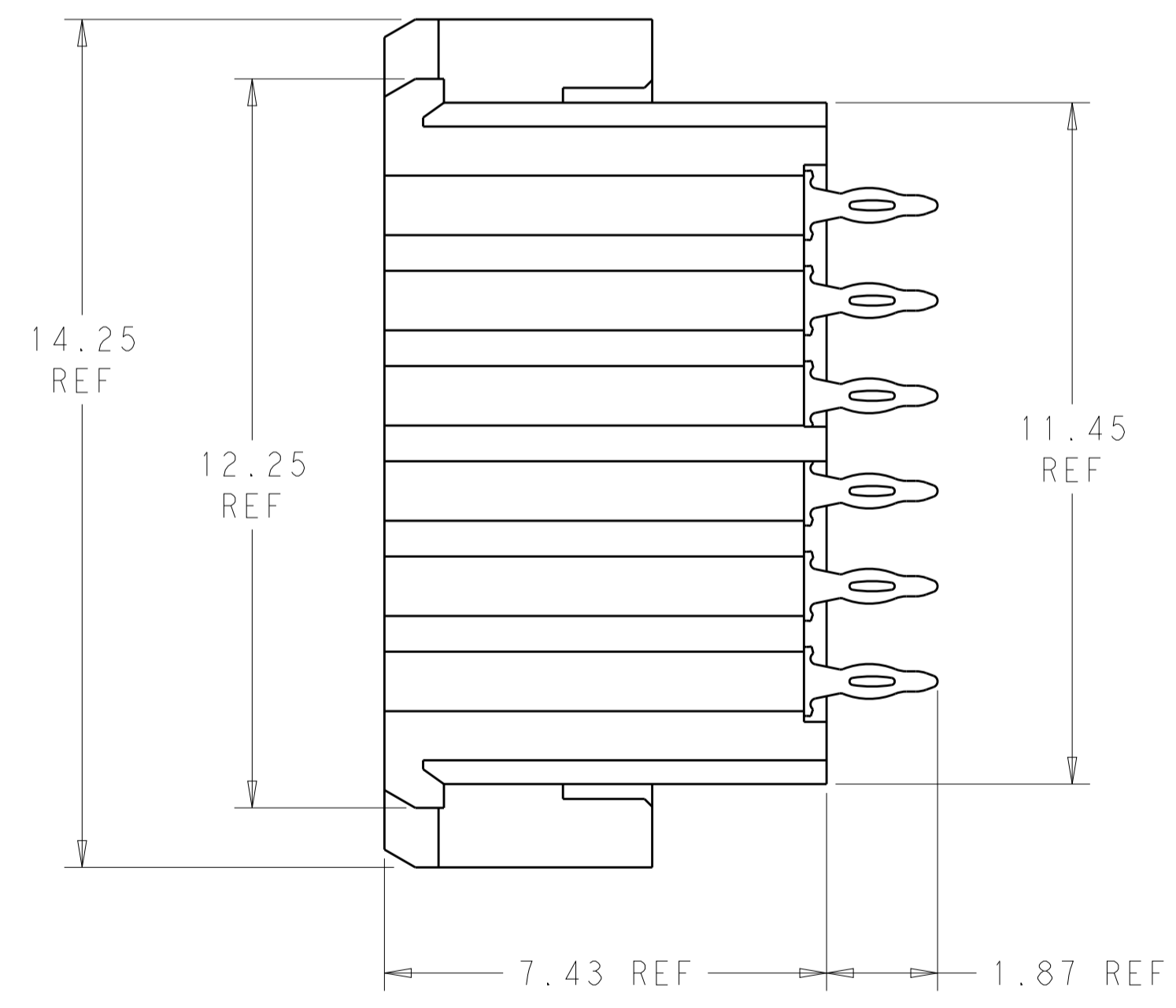
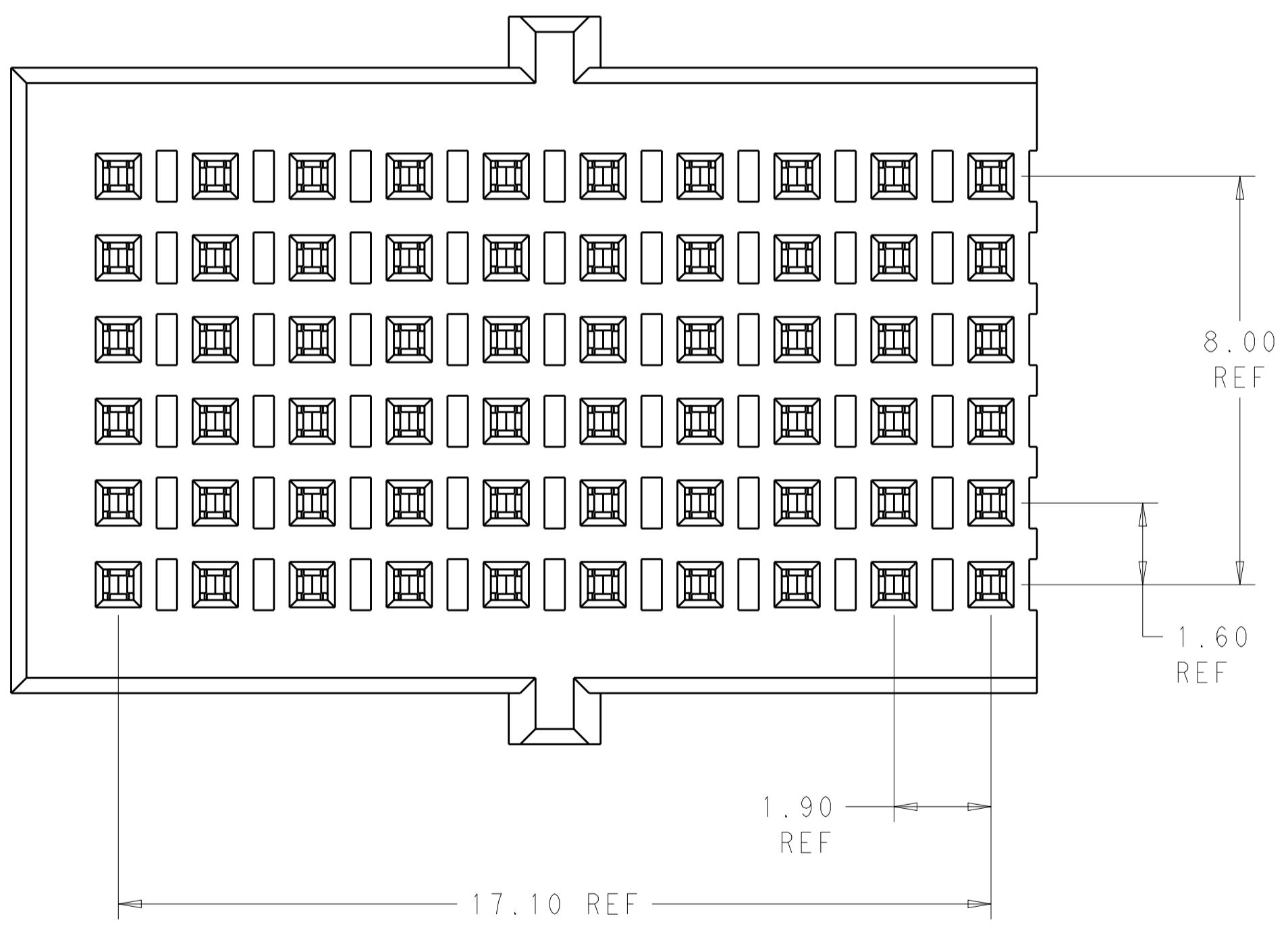


LOC		DIST		REVISIONS			
P	LTN	DESCRIPTION	DATE	DWN	APVD		
A		REVISED PER ECO-12-018102	11OCT2012	MGM	CT		
B		ECO-13-004759	01APR2013	KG	DH		
C		REVISED PER ECO-14-014385	20NOV14	MGM	CT		



- 1 MATERIAL:
CONTACT - COPPER ALLOY
HOUSING - LCP, COLOR - BLACK
- 2 FINISH:
MATING AREA: 1.27µm MIN GOLD OVER
1.25µm MIN NICKEL
- 3 FINISH:
COMPLIANT PIN AREA: 0.38µm MIN BRIGHT TIN LEAD
OVER 1.27µm MIN NICKEL
- 4 FINISH:
COMPLIANT PIN AREA: 0.38µm MIN MATTE TIN
OVER 1.27µm MIN NICKEL
- 5 --
- 6 DATUMS AND BASIC DIMENSIONS ESTABLISHED BY CUSTOMER.
- 7 REFERENCE APPLICATION SPEC 114-13267 FOR RECOMMENDED
PLATING THRU HOLE DIAMETER AND PLATING THICKNESS.
- 8 RECOMMENDED DIFFERENTIAL PAIR CONFIGURATION SHOWN.
THE CONNECTOR UTILIZES AN OPEN PIN FIELD AND
CAN BE LAID OUT IN A SINGLE-ENDED CONFIGURATION.



2 4	2102092-2
2 3	2102092-1
FINISH	PART NUMBER

THIS DRAWING IS A CONTROLLED DOCUMENT. DIMENSIONING AND TOLERANCING PER ASME Y14.5M-2009.

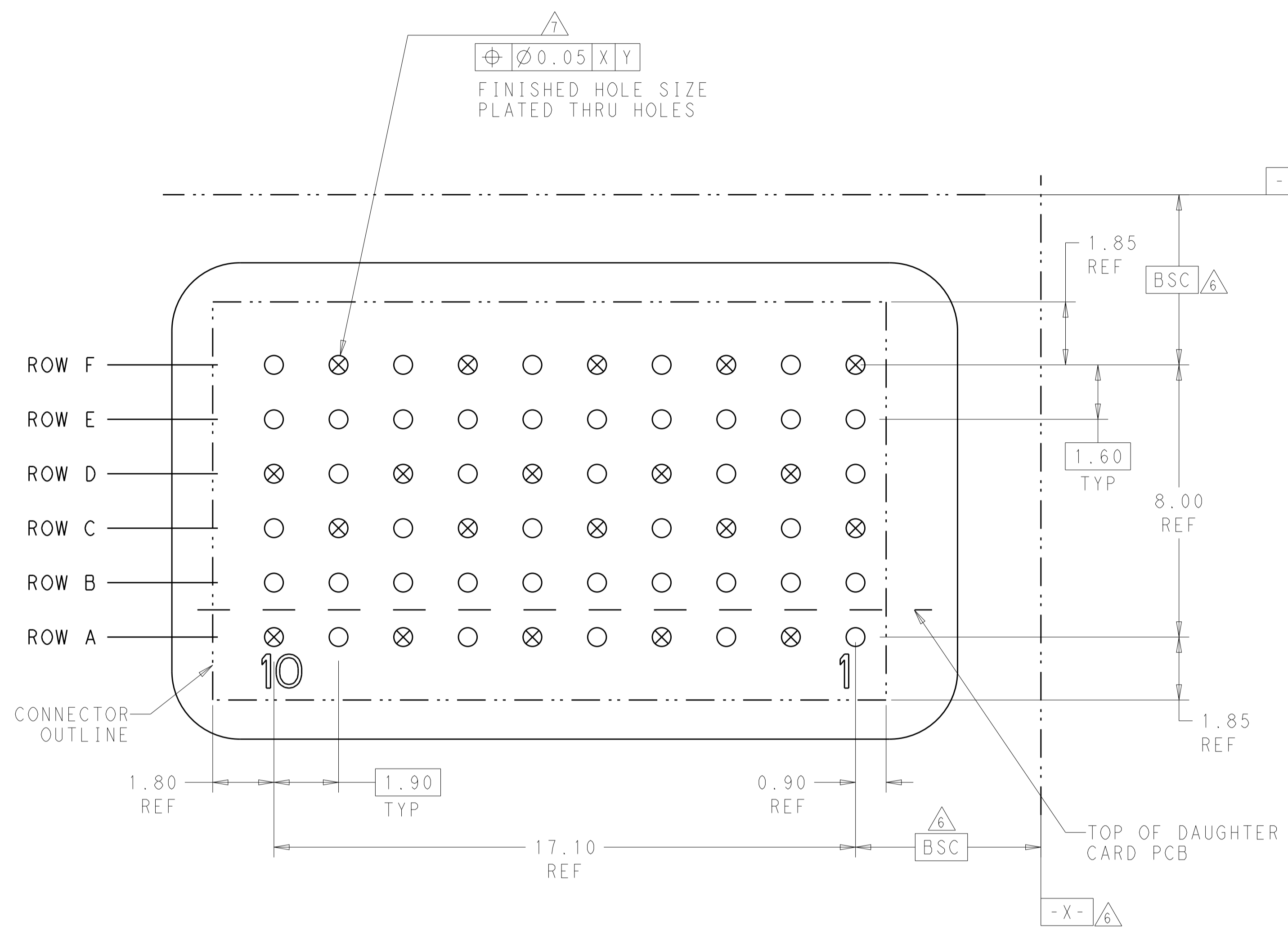
DWN: D. BELACK, ZANOV2010
CHK: A. TSANG
APVD: M. McALONIS

NAME: Fortis Zd, 2-PAIR, 10-COLUMN, VERTICAL, END MODULE ASSEMBLY

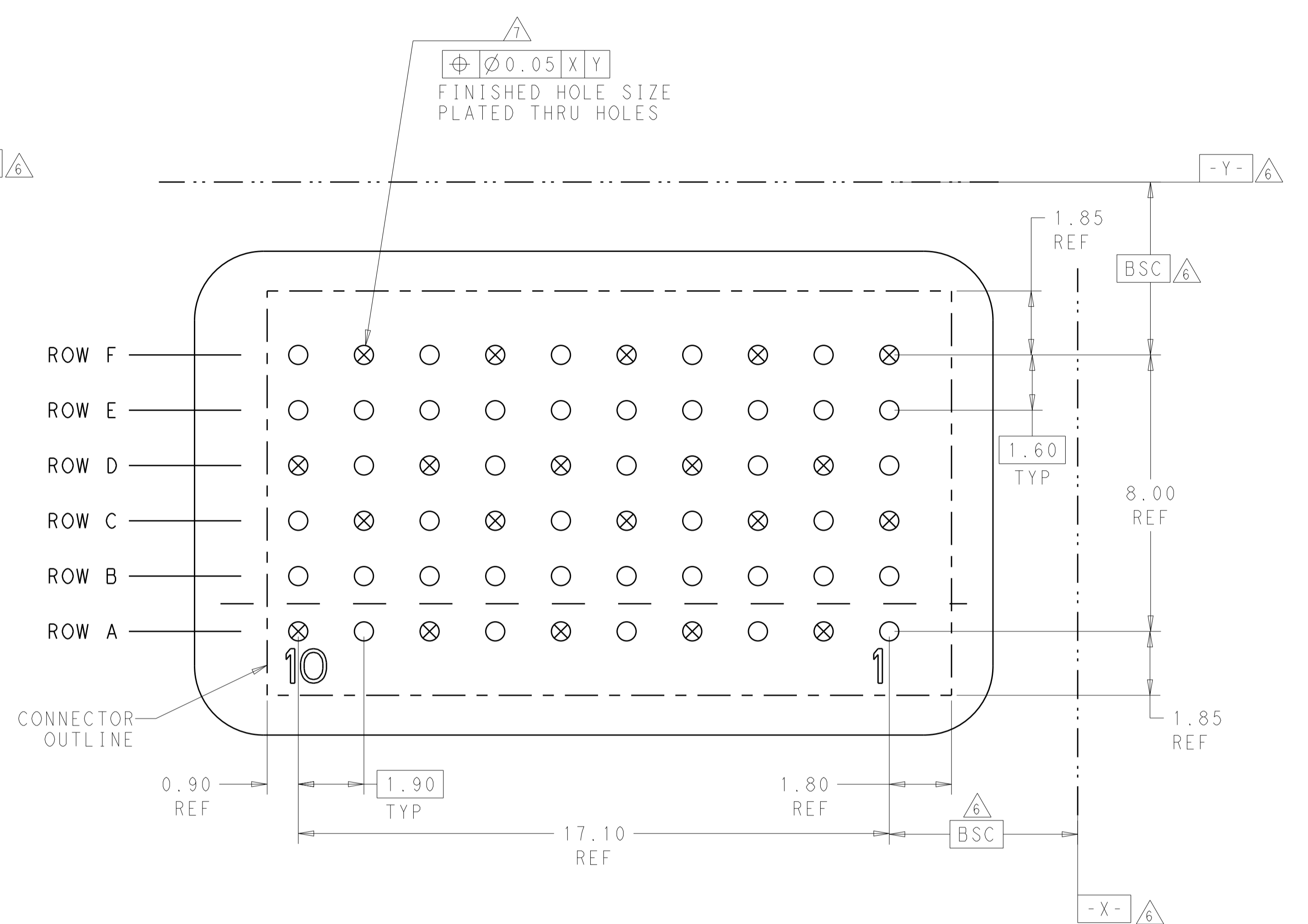
SIZE: A1, CAGE CODE: 100779, DRAWING NO: 2102092, WEIGHT: ~2.57 g

SCALE: 10:1, SHEET 1 OF 2, REV C

LOC	DIST	REV	DATE	BY	APPV
-	-	1	-	-	-
-		2	SEE SHEET 1	-	-



○ = SIGNAL
 ⊗ = GROUND
 RECOMMENDED DIFFERENTIAL PAIR PC BOARD LAYOUT 1
 COMPONENT SIDE SHOWN
 SCALE 10:1



○ = SIGNAL
 ⊗ = GROUND
 RECOMMENDED DIFFERENTIAL PAIR PC BOARD LAYOUT 2
 COMPONENT SIDE SHOWN
 SCALE 10:1

THIS DRAWING IS A CONTROLLED DOCUMENT. DIMENSIONING AND TOLERANCING PER ASME Y14.5M-2009.		DWN: D. BELACK CHK: A. TSANG APV: M. McALONIS	ZANOV2010 NAME: Fortis Zd, 2-PAIR, 10-COLUMN, VERTICAL, END MODULE ASSEMBLY SIZE: A1 CAGE CODE: 100779 DRAWING NO: C=2102092	REVISIONS DATE: - DWN: - APPV: -
DIMENSIONS: mm TOLERANCES UNLESS OTHERWISE SPECIFIED: 0 PLC ± 1 PLC ±0.13 2 PLC ±0.05 3 PLC ± 4 PLC ± ANGLES ±2°	MATERIAL: - FINISH: -	WEIGHT: 2.57 CUSTOMER DRAWING	SCALE: 10:1 SHEET: 2 OF 2 REV: C	