

4

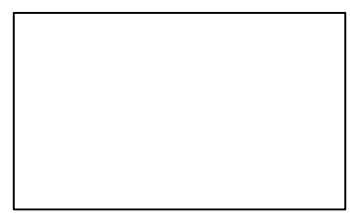
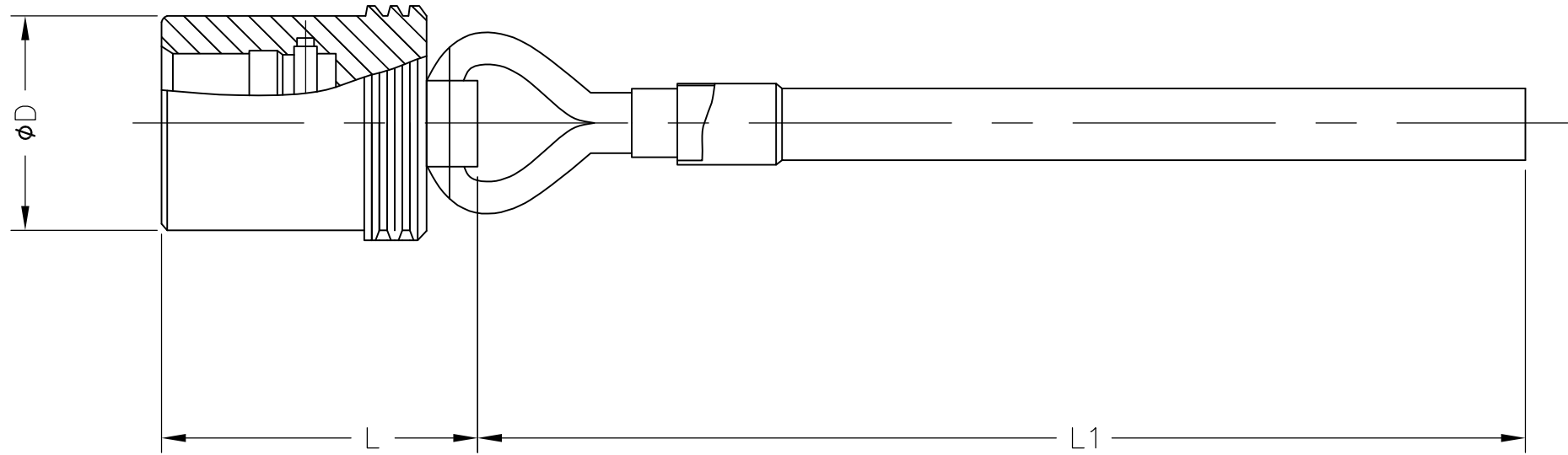
3

2

1

THIS DRAWING IS UNPUBLISHED. RELEASED FOR PUBLICATION - , - .
 © COPYRIGHT - By - ALL RIGHTS RESERVED.

| LOC | DIST | REVISIONS | | | | | |
|-----|------|-----------|-----|-----------------------|---------|-----|------|
| | | P | LTR | DESCRIPTION | DATE | DWN | APVD |
| - | - | | C | REV PER ECO-12-013349 | 20JUL12 | PY | RG |



CLIP FOR SECURING LANYARD

| | | | |
|----|-----|----|-------------|
| 21 | 165 | 29 | 2101580-2 |
| 15 | 115 | 21 | 2101580-1 |
| D | L1 | L | PART NUMBER |

- △1 MATERIAL
 BODY - BRASS
 LANYARD - BROCADED SILK
 O RING - SILICONE RUBBER
- △2 FINISH
 CAP - BLACK CHROMATE

| | | | | |
|---|--|--------------------------------|---|---------------|
| THIS DRAWING IS A CONTROLLED DOCUMENT. | | DWN C C THOMAS 16SEP2009 | TE Connectivity | |
| DIMENSIONS: mm | | CHK R GROSS 16SEP2009 | | |
| TOLERANCES UNLESS OTHERWISE SPECIFIED: | | APVD R GROSS 16SEP2009 | NAME | |
| 0 PLC ± 3 1 PLC ± - 2 PLC ± - 3 PLC ± - 4 PLC ± - ANGLES ± - | | PRODUCT SPEC 108-127005 | CIRCULAR HD CAPS W/LANYARDS FOR SIZE 2 & 5 PLUG CONNECTORS | |
| MATERIAL | | APPLICATION SPEC | SIZE | RESTRICTED TO |
| - △1 | | FINISH | CAGE CODE | DRAWING NO |
| - △2 | | WEIGHT | A3 00779 | C-2101580 |
| CUSTOMER DRAWING | | | SCALE | SHEET |
| | | | NTS | 1 OF 1 |
| | | | REV | C |