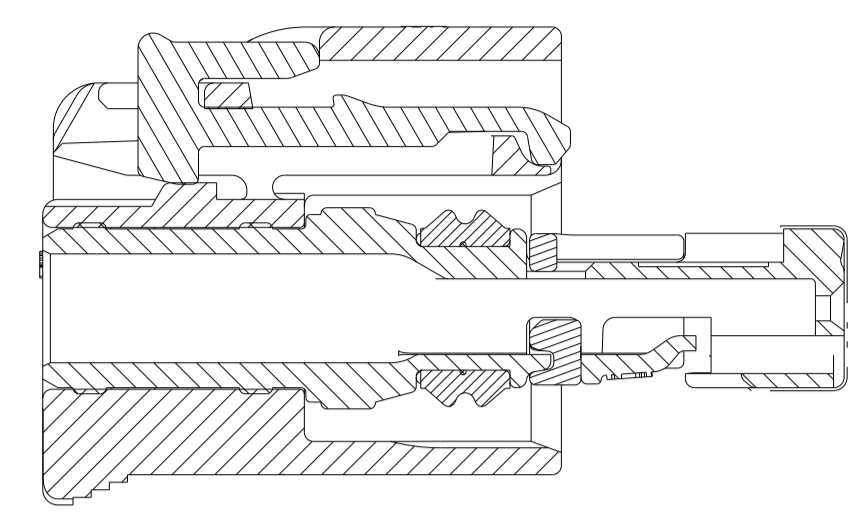
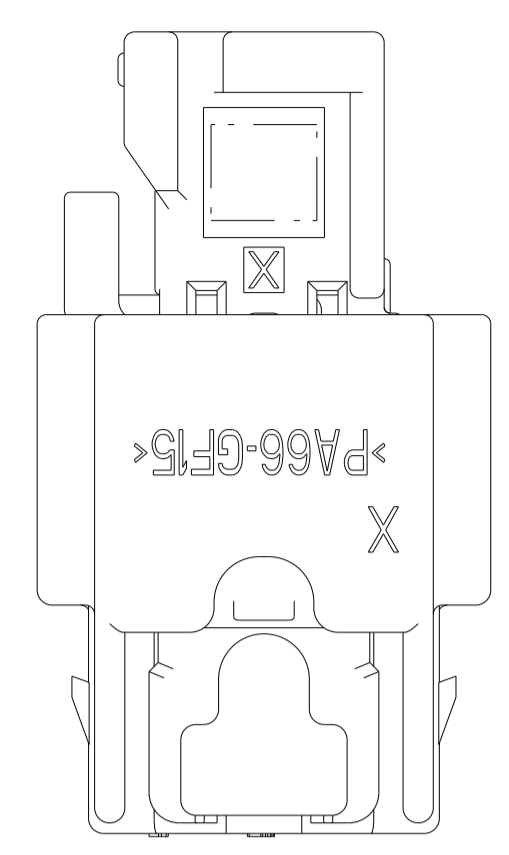
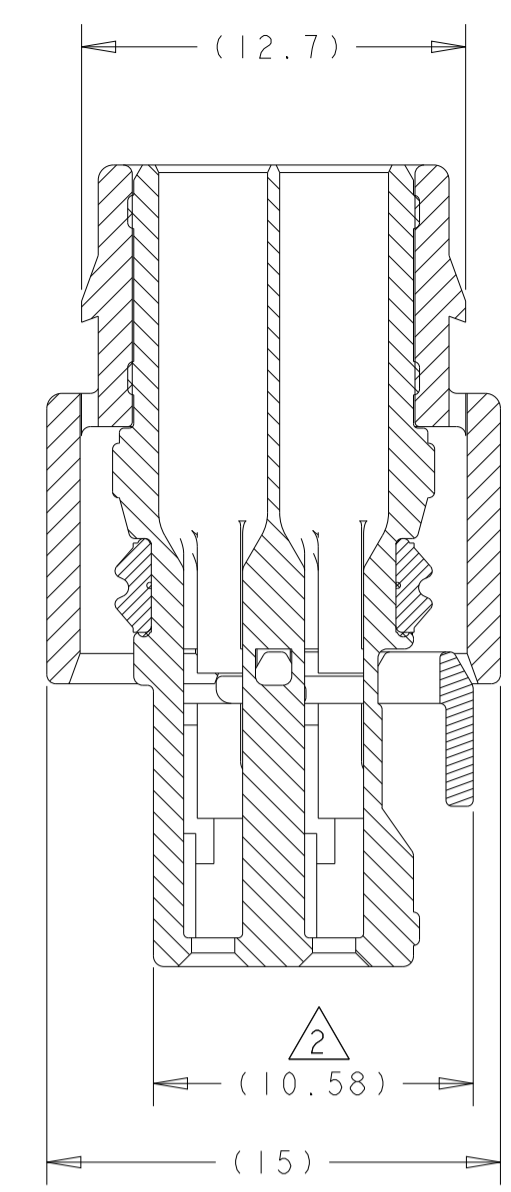


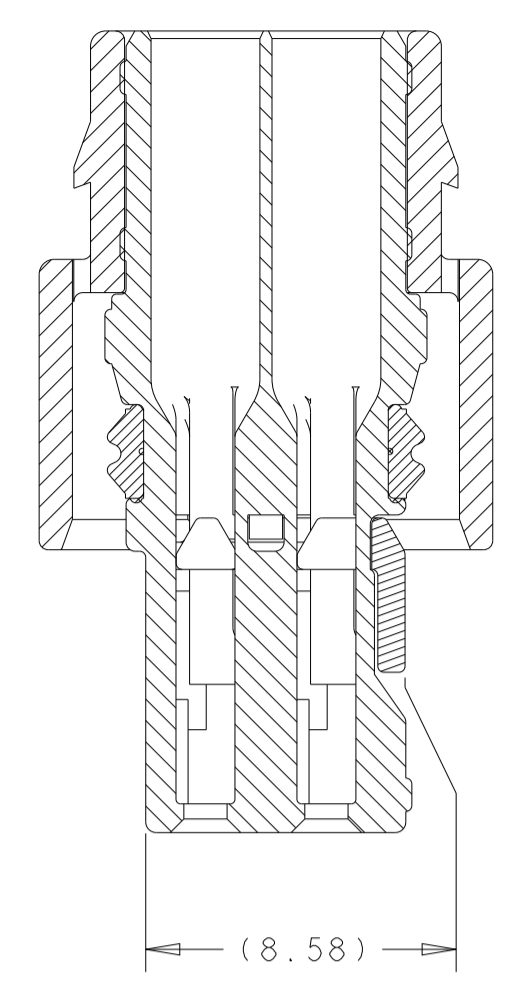
REVISIONS					
P	LTN	DESCRIPTION	DATE	OWN	APVD
A3		REVISED PER ECO-12-009514	02AUG2012	DLD	SLM
A4		REVISED PER ECO-14-014610	26SEP2014	DLD	SLM
A5		REVISED PER ECO-17-001465	03FEB2017	DLD	DCM
A6		REVISED PER ECN-24-273808	05JUL2024	SR	HC



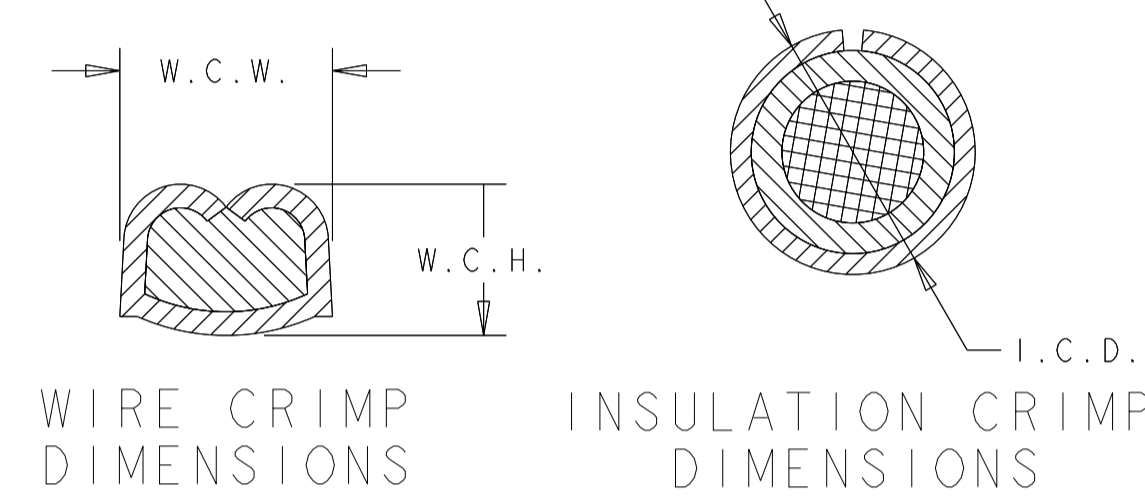
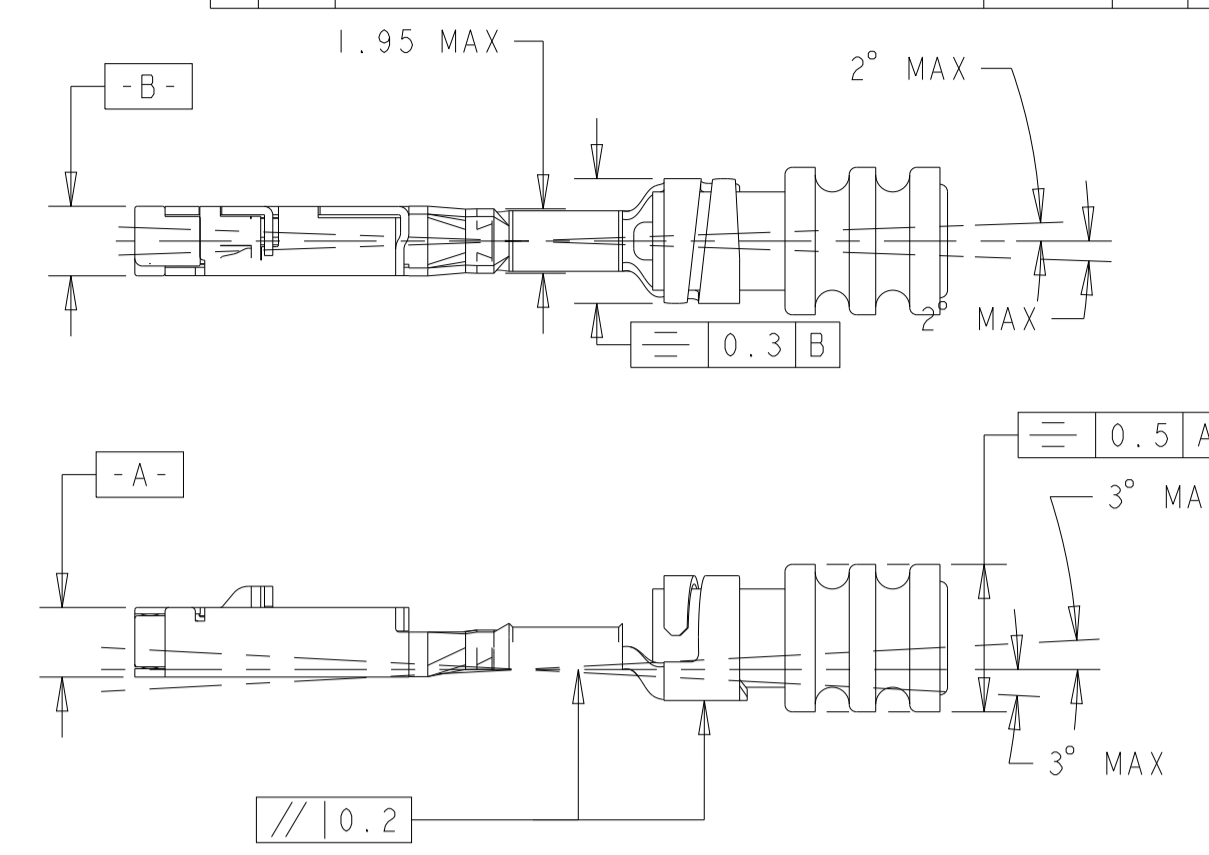
SECTION B-B
SHOWN WITH CPA (WHEN APPLICABLE)
IN IT'S LATCHED POSITION
FOR REFERENCE ONLY



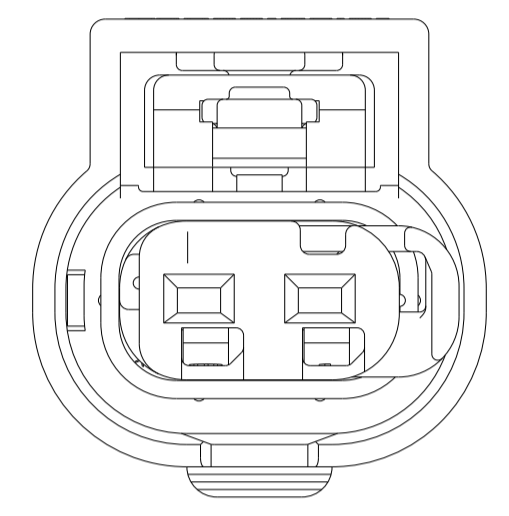
SECTION A-A
SHOWN WITH TPA
IN IT'S LATCHED POSITION
FOR REFERENCE ONLY



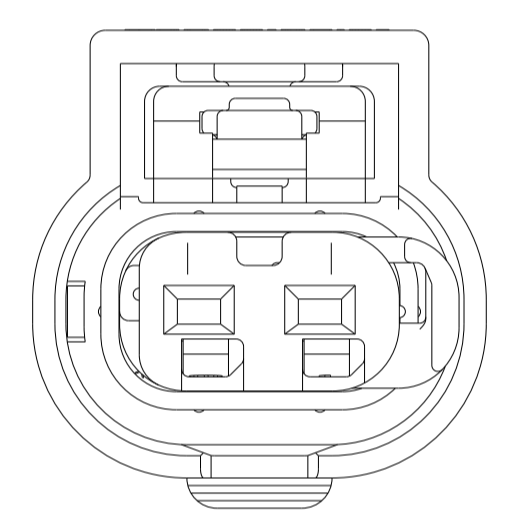
SECTION A-A
SHOWN WITH TPA
IN IT'S LATCHED POSITION
FOR REFERENCE ONLY



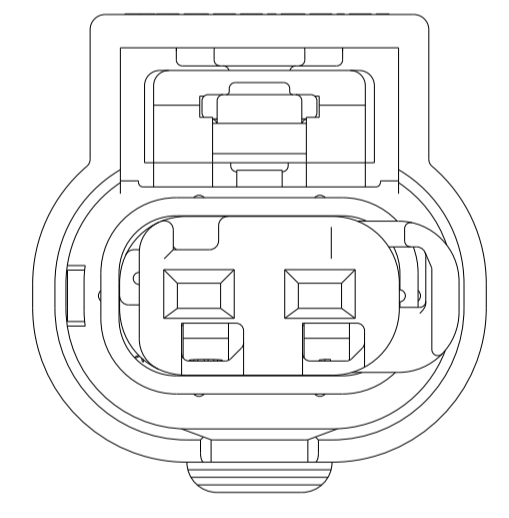
KEYING CONFIGURATIONS



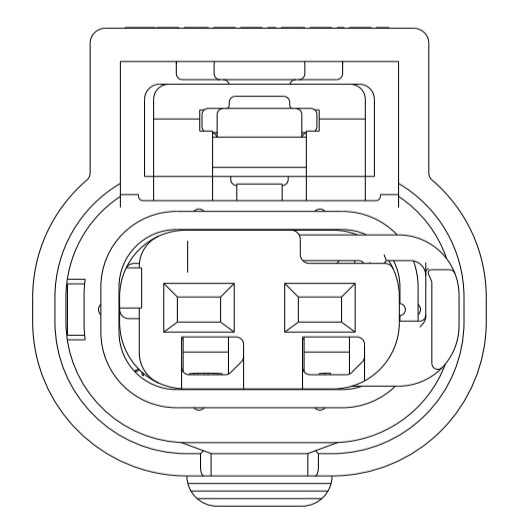
KEYING OPTION A



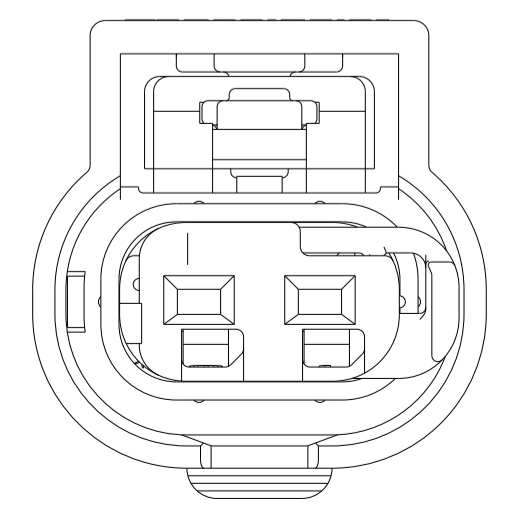
KEYING OPTION B



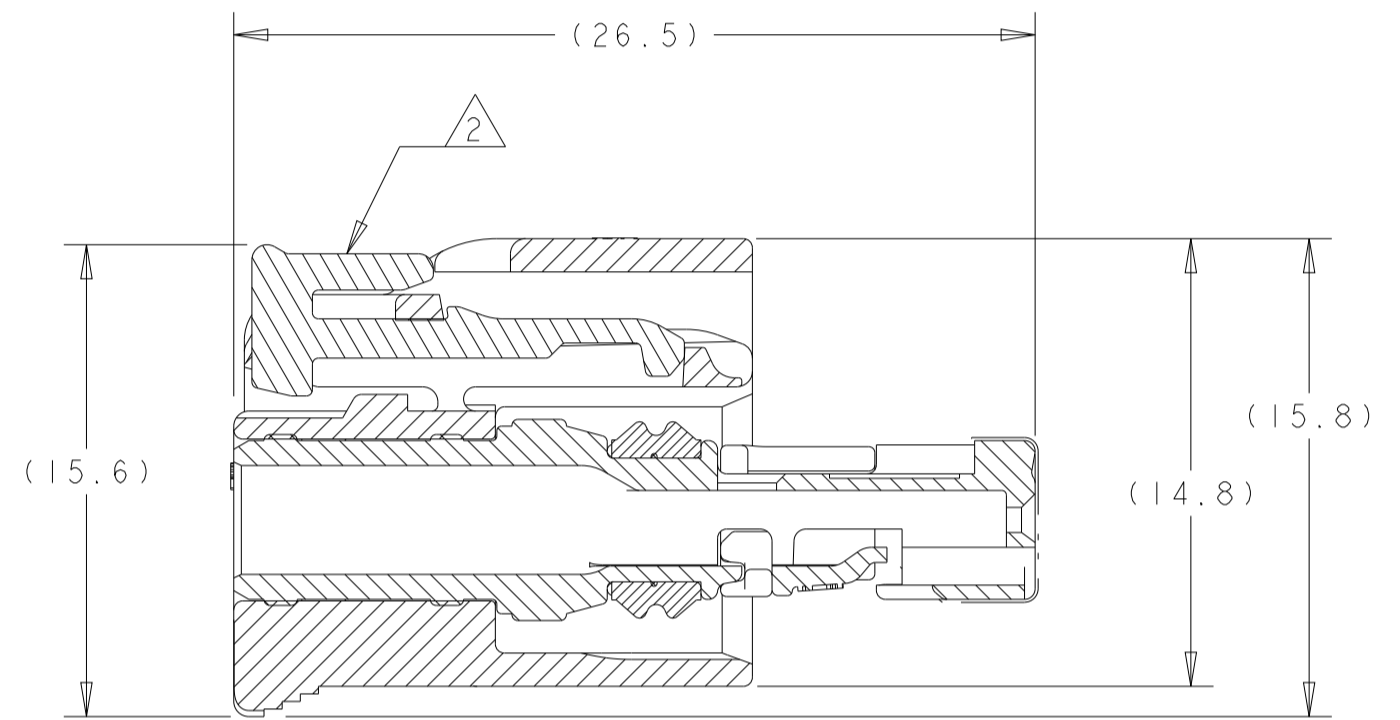
KEYING OPTION C



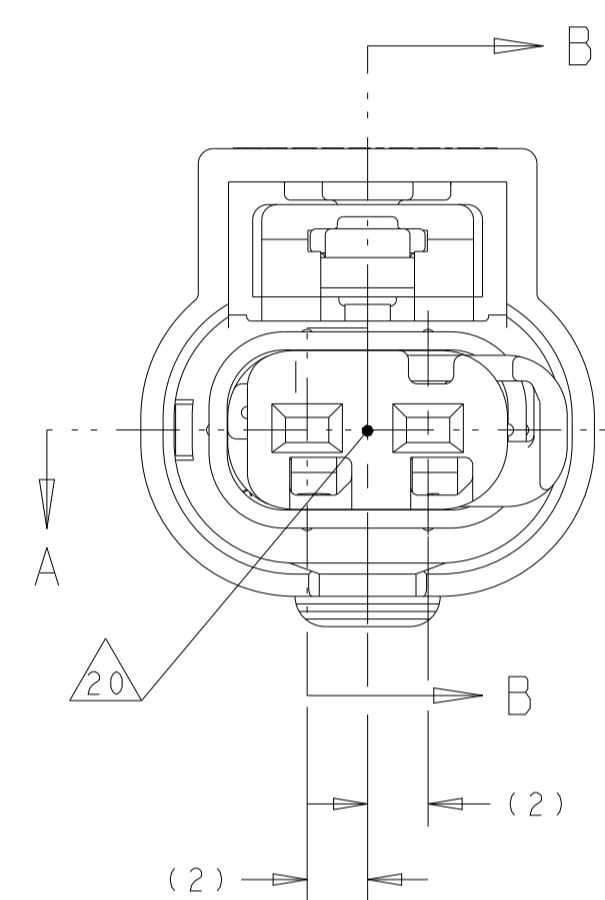
KEYING OPTION E



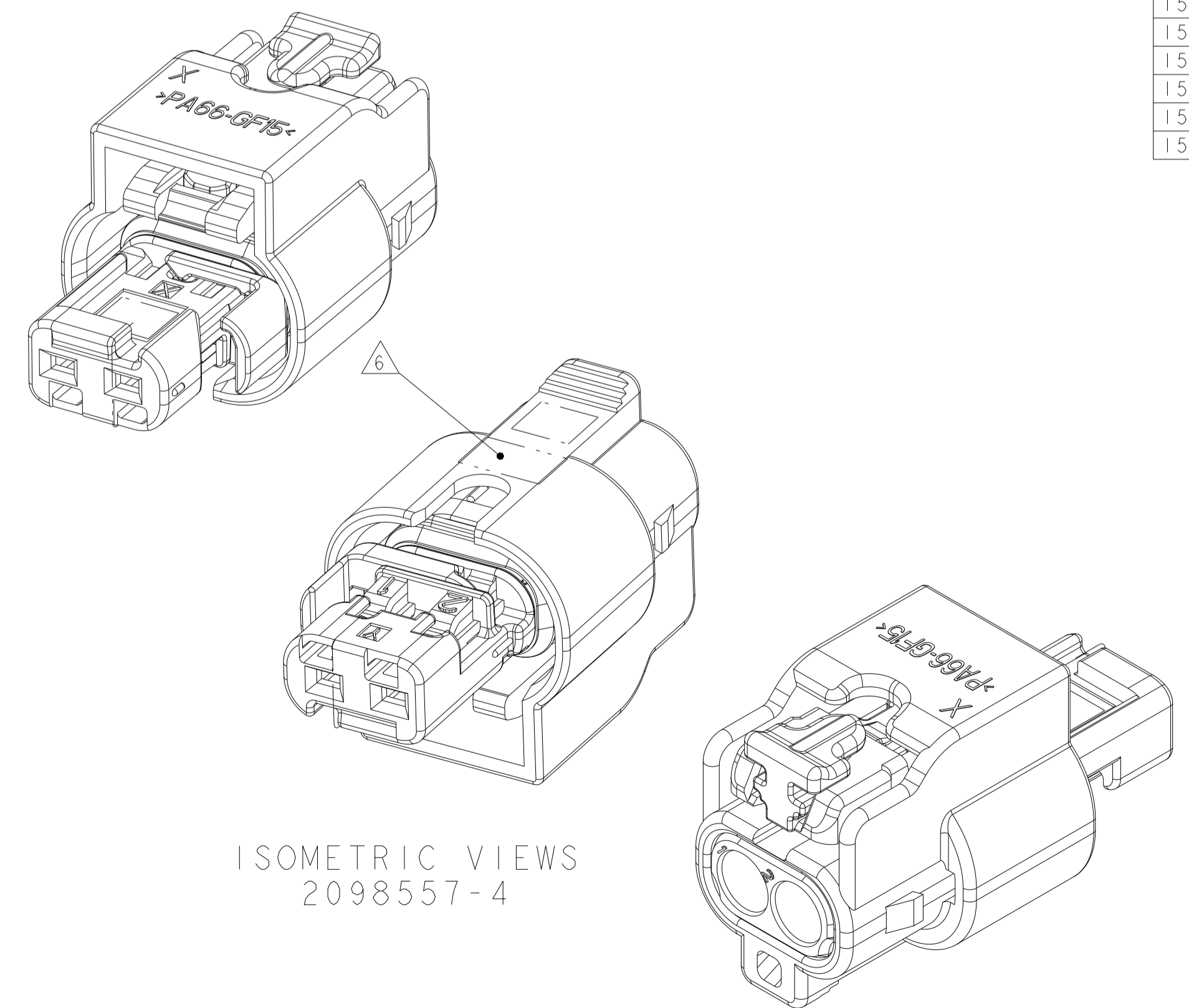
KEYING OPTION F



SECTION B-B



SECTION A-A



ISOMETRIC VIEWS
2098557-4

- PART NUMBER 2098557-4 SHOWN ON DRAWING.
- TPA AND CPA (WHEN APPLICABLE) ARE SHIPPED IN THEIR PRE-LATCHED POSITIONS. SEE INSTRUCTION SHEET 408-8968 FOR DIRECTIONS ON MOVING THE CPA AND TPA TO THE PRE-LATCHED POSITION, IF NECESSARY.
- TERMINALS SOLD SEPARATELY. FOR USE WITH TE MCON 1.2mm CLEAN BODY CONTACT WITH WIRE SEAL. SEE TE MCON 1.2-CB (CLEAN BODY) TABLE FOR APPLICABLE PART NUMBERS.
- APPLICABLE HEADER INTERFACE DRAWING 114-18679-3 IS AVAILABLE UPON REQUEST. A COPY OF THIS DRAWING CAN BE OBTAINED FROM THE TE CONNECTIVITY PRODUCT MANAGER, VIA YOUR TE CONNECTIVITY SALES REPRESENTATIVE OR CUSTOMER SERVICE.
- MINIMUM FEED THROUGH CONDITION WITH 1.0mm CLEARANCE ALL AROUND.
- TRACEABILITY PRINTED IN THIS LOCATION AT ASSEMBLY.
- NOTE LEFT BLANK INTENTIONALLY.
- PART NUMBERS 2098557-7, -8 INNER HOUSING ARE ASSEMBLED 180°.
- NOTE LEFT BLANK INTENTIONALLY
- NOTE DELETED
- TPA ENGAGE FORCE FOR KEYS A, B, C: PRESET TO FULL $\geq 2N$ AND $\leq 60N$. TPA ENGAGE FORCE FOR KEYS E, F: PRESET TO FULL $\geq 1.9N$ AND $\leq 60N$.
- TPA DISENGAGE FORCE: DISENGAGE FROM FULL TO PRESET $\geq 2N$ AND $\leq 60N$.
- CPA ENGAGE FORCE: PRESET TO FULL WITHOUT CONNECTORS MATED $\geq 40N$.
- CPA ENGAGE FORCE: PRESET TO FULL WITH CONNECTORS MATED $< 30N$.
- POLARIZATION FEATURE EFFECTIVENESS: CONNECTOR MATED TURNED 180° NO MATING $> 125N$. WRONG KEYING NO MATING $> 125N$.
- VALIDATED UP TO USCAR-2 TEMPERATURE CLASS IV.
- SEE INSTRUCTION SHEET 408-8928.
- ICD IS DEPENDENT UPON WIRE INSULATION TYPE AND OD. MUST BE SUFFICIENT TO GRIP SEAL SO IT DOES NOT SLIDE OUT OF INSULATION CRIMP WHEN INSERTING INTO CONNECTOR CAVITY BUT NOT TEAR THE SEAL.
- REFERENCE SHEET 2 FOR ISOMETRIC VIEWS.
- OPTIONAL CONSTRUCTION VOID CORE.

MAX TEMP	FEMALE TERMINAL PN	TERMINAL PLATING	AWG	APPLICABLE WIRE FINISHED O.D.	W.C.H.	W.C.W.	I.C.D.	WIRE SEAL PART NUMBER
125C	1670146-1	TIN	20	1.40 - 1.90mm	0.84 ±0.03	1.57 ±0.05	3.25 ±0.05	967067-1
125C	1670146-2	GOLD	20	1.40 - 1.90mm	0.84 ±0.03	1.57 ±0.05	3.25 ±0.05	967067-1
125C	1670146-3	SILVER	20	1.40 - 1.90mm	0.84 ±0.03	1.57 ±0.05	3.25 ±0.05	967067-1
125C	1418850-1	TIN	18	1.90 - 2.40mm	1.11 ±0.05	1.78 ±0.05	3.35 ±0.05	964972-1
125C	1418850-1	TIN	16	1.90 - 2.40mm	1.31 ±0.05	1.78 ±0.05	3.35 ±0.05	964972-1
125C	1418850-2	GOLD	18	1.90 - 2.40mm	1.11 ±0.05	1.78 ±0.05	3.35 ±0.05	964972-1
125C	1418850-2	GOLD	16	1.90 - 2.40mm	1.31 ±0.05	1.78 ±0.05	3.35 ±0.05	964972-1
125C	1418850-3	SILVER	18	1.90 - 2.40mm	1.11 ±0.05	1.78 ±0.05	3.35 ±0.05	964972-1
125C	1418850-3	SILVER	16	1.90 - 2.40mm	1.31 ±0.05	1.78 ±0.05	3.35 ±0.05	964972-1
150C	1670146-2	GOLD	20	1.40 - 1.90mm	0.84 ±0.03	1.57 ±0.05		2098582-1
150C	1670146-3	SILVER	20	1.40 - 1.90mm	0.84 ±0.03	1.57 ±0.05		2098582-1
150C	1418850-2	GOLD	18	1.40 - 1.90mm	1.11 ±0.05	1.78 ±0.05		2098582-1
150C	1418850-2	GOLD	16	1.40 - 1.90mm	1.31 ±0.05	1.78 ±0.05		2098582-1
150C	1418850-3	SILVER	18	1.40 - 1.90mm	1.11 ±0.05	1.78 ±0.05		2098582-1
150C	1418850-3	SILVER	16	1.40 - 1.90mm	1.31 ±0.05	1.78 ±0.05		2098582-1

RELEASED	RED	2138907-1	BROWN	F	4-2098557-5
RELEASED	RED	2138907-1	BROWN	E	4-2098557-4
RELEASED	RED	2138907-1	BROWN	C	4-2098557-3
RELEASED	RED	2138907-1	BROWN	B	4-2098557-2
RELEASED	RED	2138907-1	BROWN	A	4-2098557-1
RELEASED	RED	1488787-1	BROWN	A	2098557-8
RELEASED	-	-	BROWN	A	2098557-7
RELEASED	RED	1488787-1	BROWN	C	2098557-6
RELEASED	RED	1488787-1	BROWN	B	2098557-5
RELEASED	RED	1488787-1	BROWN	A	2098557-4
RELEASED	-	-	BROWN	C	2098557-3
RELEASED	-	-	BROWN	B	2098557-2
RELEASED	-	-	BROWN	A	2098557-1
STATUS	COLOR	PART NO	COLOR	KEY	PART NUMBER

THIS DRAWING IS A CONTROLLED DOCUMENT.

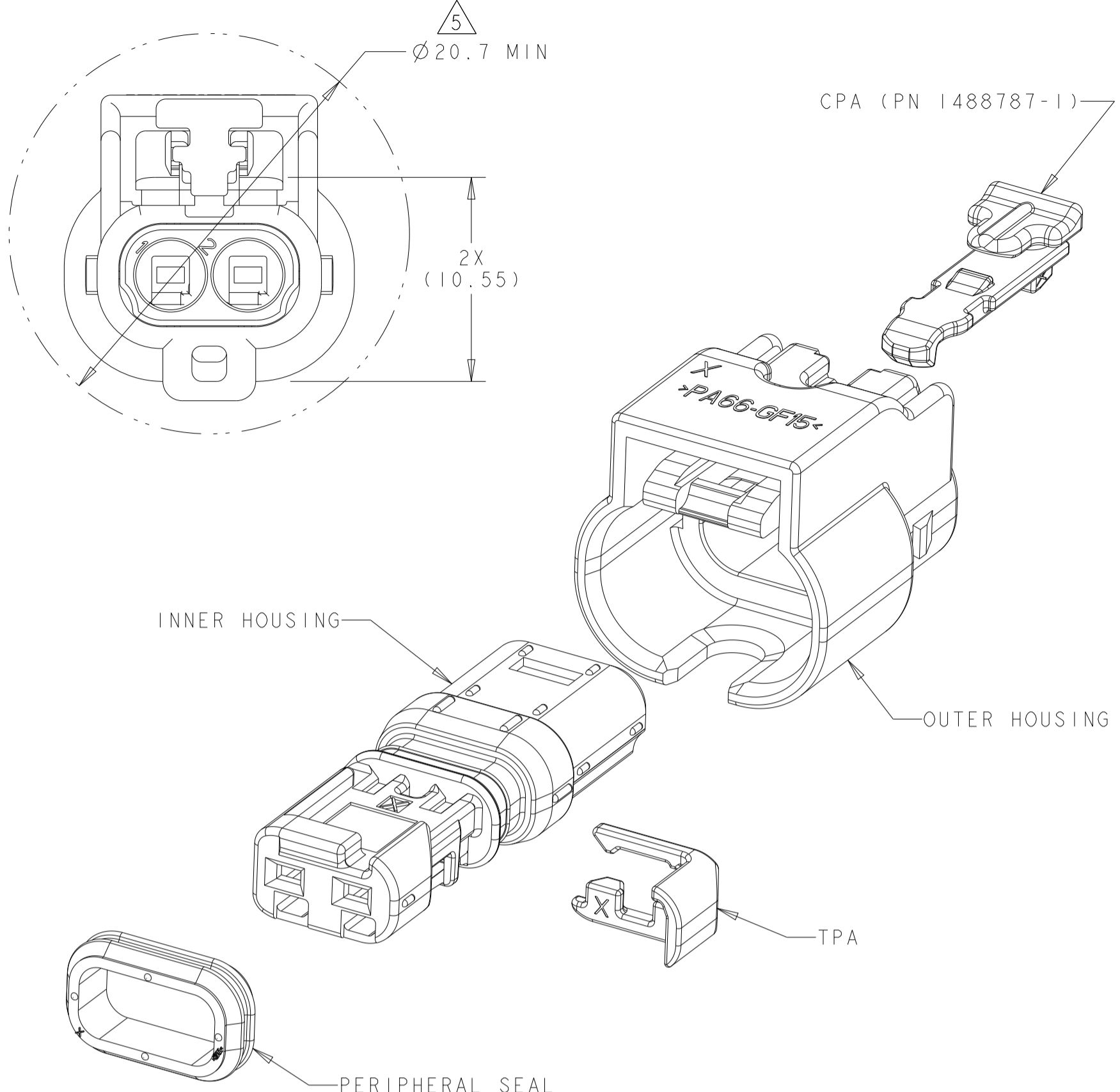
OWN: S. VINAY 07OCT2009
CHK: B. BUCHTER 07OCT2009
APVD: B. BUCHTER 07OCT2009

TE Connectivity
STE

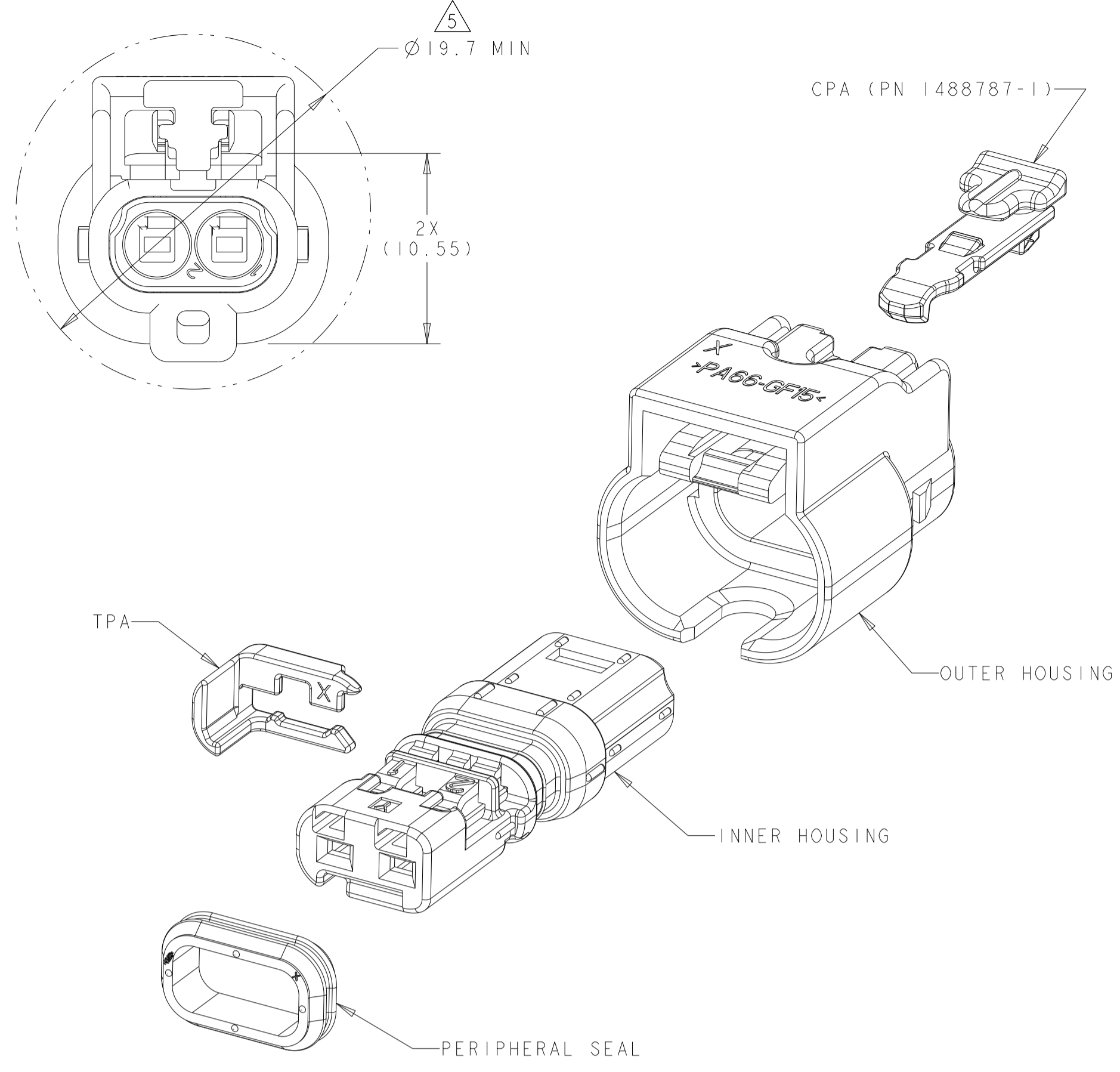
CONNECTOR ASSEMBLY, FEMALE, 2 POSITION SEALED, 1.2mm STANDARD LATCH VERSION, HIGH TEMP

SIZE: A 100779 C=2098557
WEIGHT: 2.07gms
SCALE: 4:1 SHEET 1 OF 2 REV A6

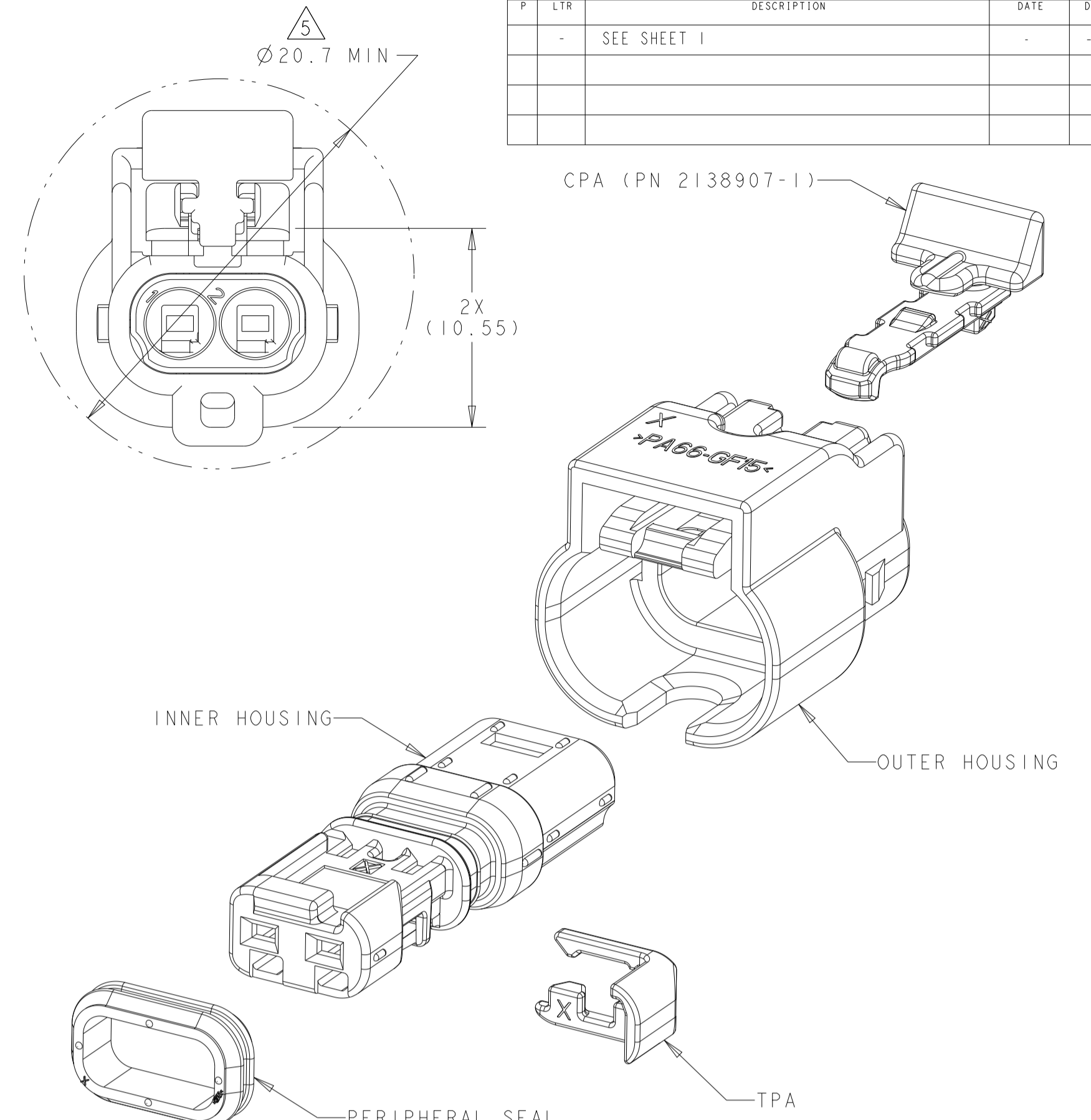
REVISIONS					
P	LTN	DESCRIPTION	DATE	OWN	APVD
-	-	SEE SHEET 1	-	-	-



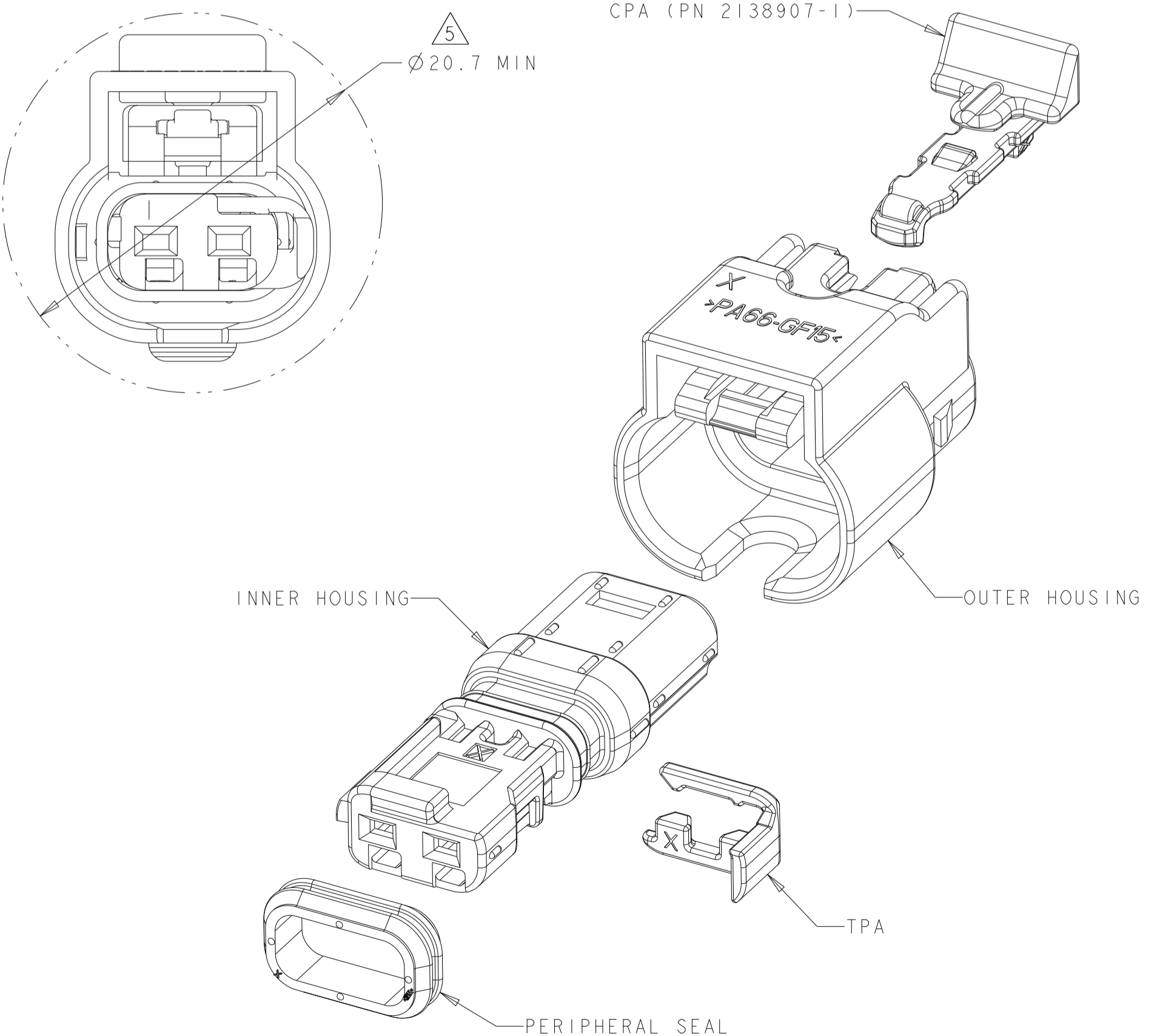
2098557-4
EXPLODED ISOMETRIC VIEW



2098557-8
EXPLODED ISOMETRIC VIEW



4-2098557-1
EXPLODED ISOMETRIC VIEW



4-2098557-4
EXPLODED ISOMETRIC VIEW

THIS DRAWING IS A CONTROLLED DOCUMENT.		OWN: S. VINAY 07OCT2009																									
DIMENSIONS: mm		CHK: B. BUCHTER 07OCT2009																									
<table border="1"> <tr> <th>TOLERANCES UNLESS OTHERWISE SPECIFIED:</th> <th>MIN</th> <th>MAX</th> </tr> <tr> <td>0 PLC</td> <td>±</td> <td></td> </tr> <tr> <td>1 PLC</td> <td>±0.3</td> <td></td> </tr> <tr> <td>2 PLC</td> <td>±0.10</td> <td></td> </tr> <tr> <td>3 PLC</td> <td>±</td> <td></td> </tr> <tr> <td>4 PLC</td> <td>±</td> <td></td> </tr> <tr> <td>ANGLES</td> <td>±</td> <td></td> </tr> <tr> <td>FINISH</td> <td>±</td> <td></td> </tr> </table>		TOLERANCES UNLESS OTHERWISE SPECIFIED:	MIN	MAX	0 PLC	±		1 PLC	±0.3		2 PLC	±0.10		3 PLC	±		4 PLC	±		ANGLES	±		FINISH	±		APVD: B. BUCHTER 07OCT2009	NAME: CONNECTOR ASSEMBLY, FEMALE, 2 POSITION SEALED, 1.2mm STANDARD LATCH VERSION, HIGH TEMP
TOLERANCES UNLESS OTHERWISE SPECIFIED:	MIN	MAX																									
0 PLC	±																										
1 PLC	±0.3																										
2 PLC	±0.10																										
3 PLC	±																										
4 PLC	±																										
ANGLES	±																										
FINISH	±																										
MATERIAL: SEE TABLE		WEIGHT: 2.07gms	RESTRICTED TO: -																								
		CUSTOMER DRAWING	SCALE: 4:1 SHEET: 2 OF 2 REV: A6																								