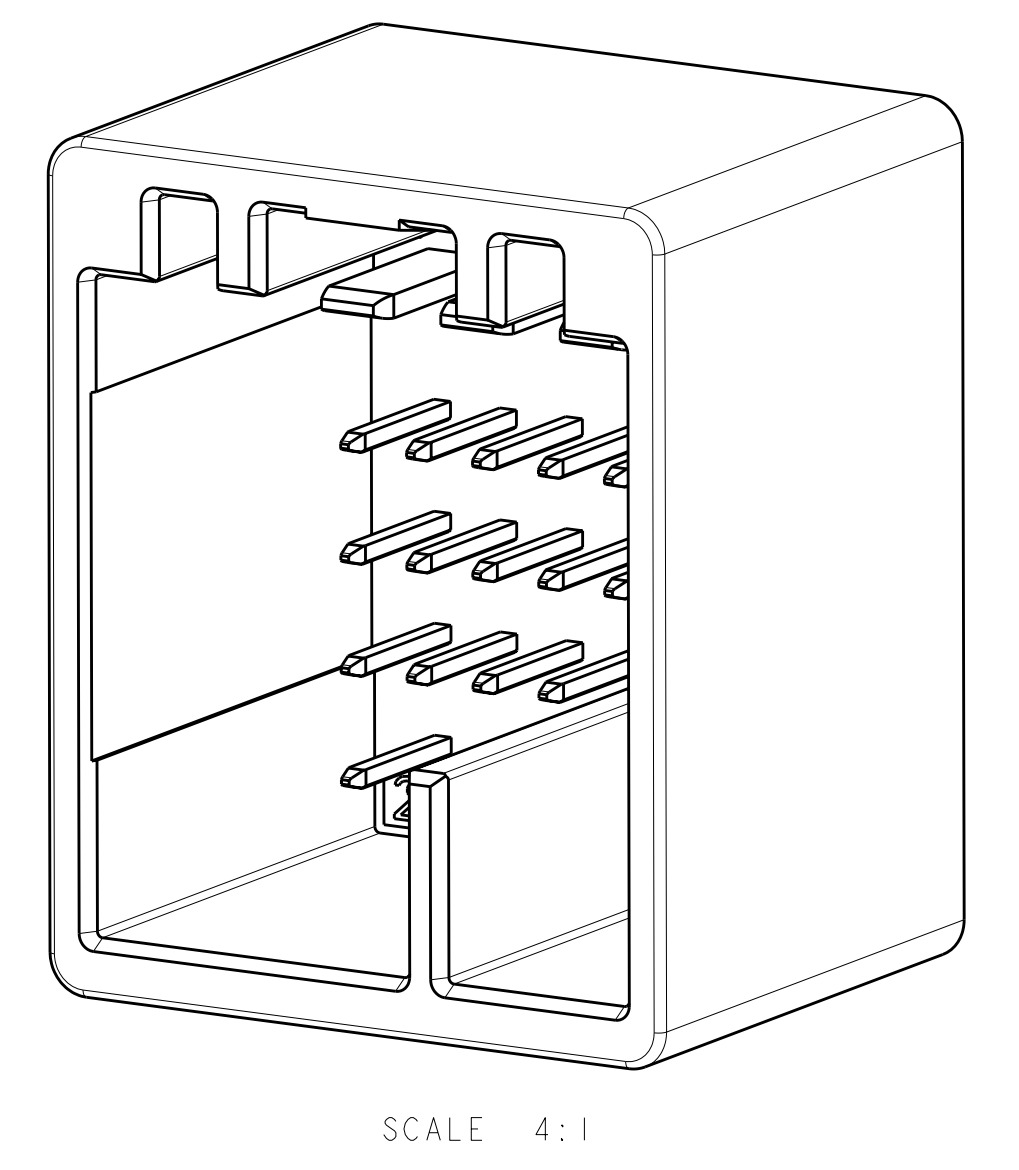
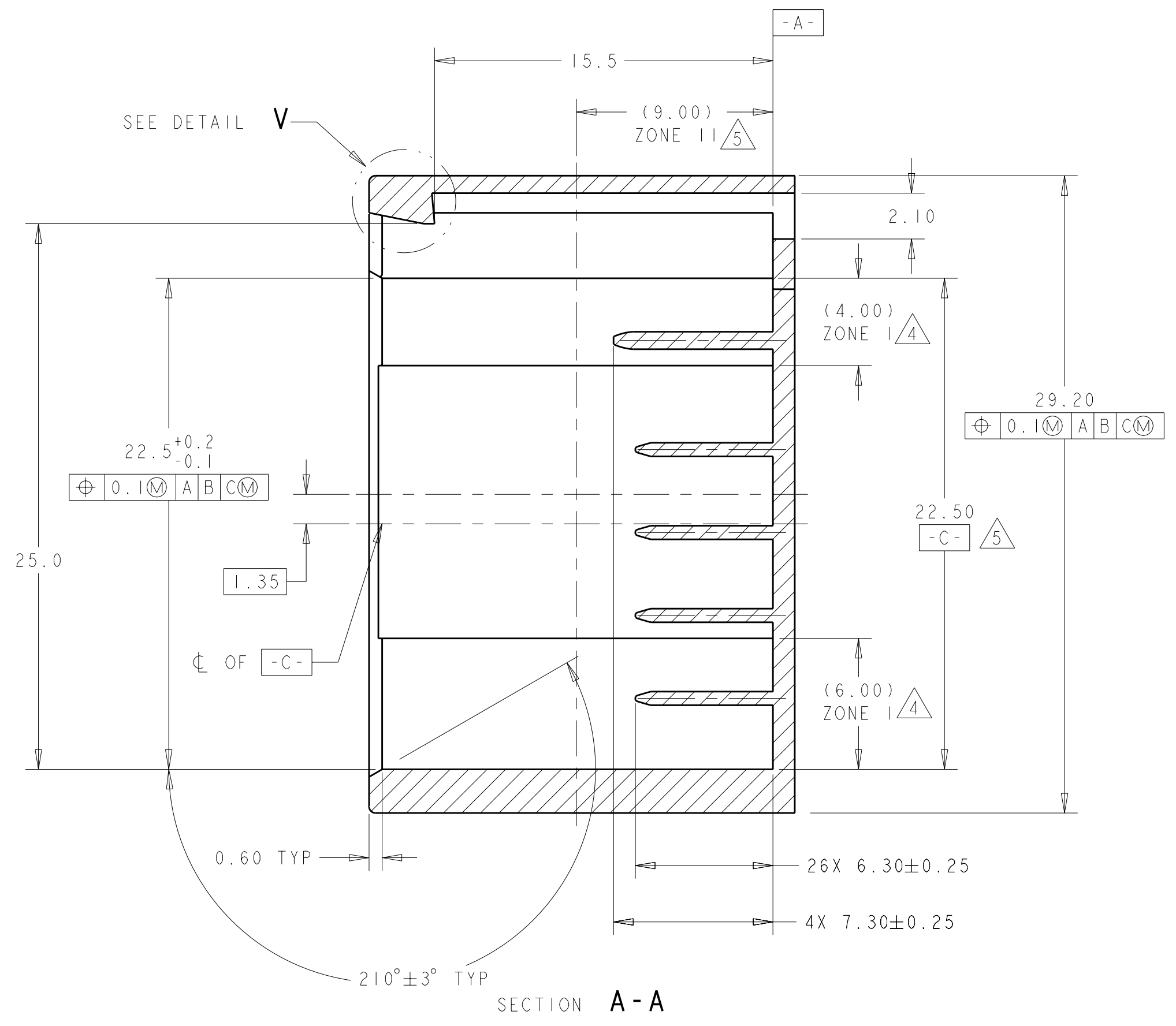
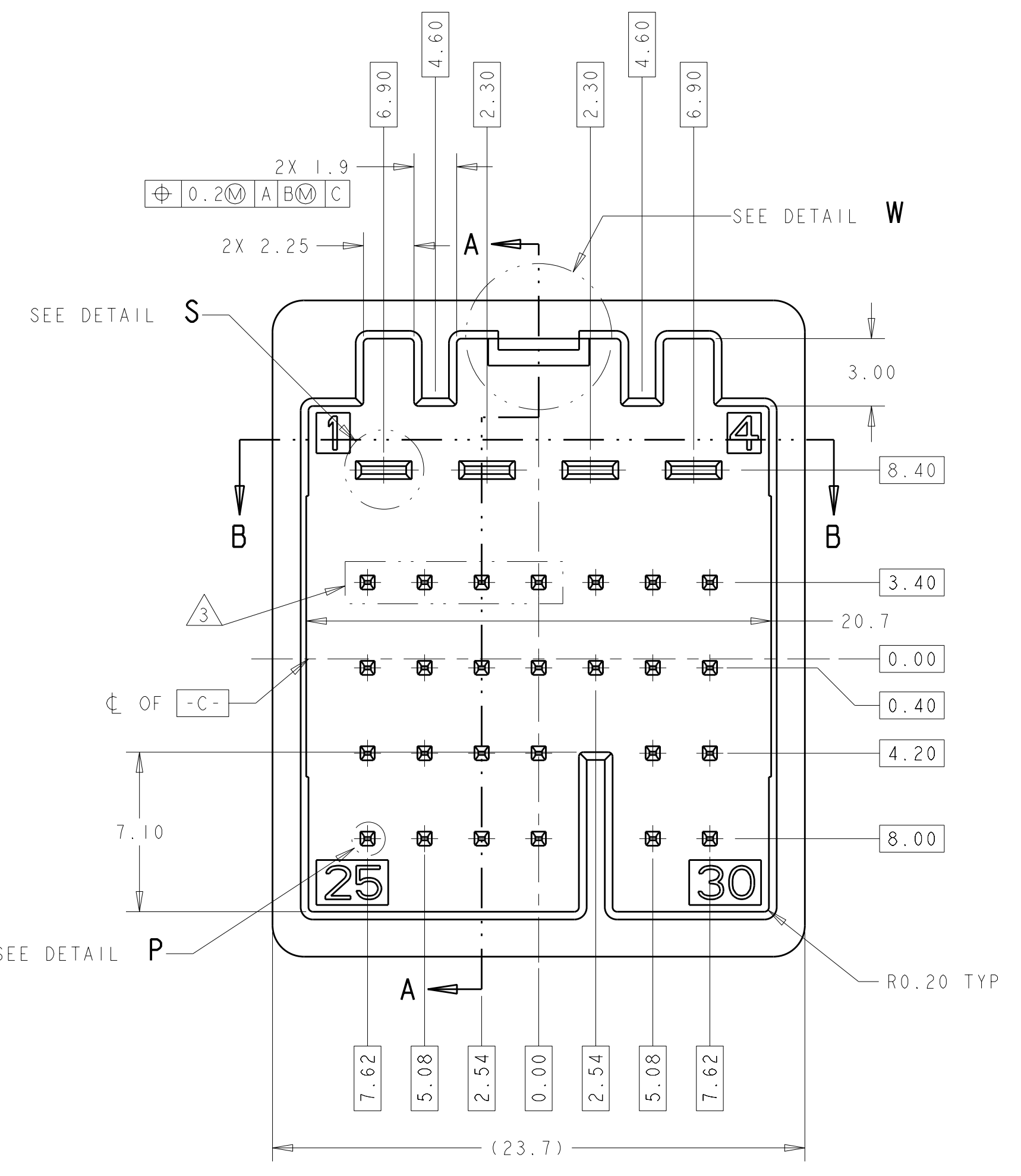
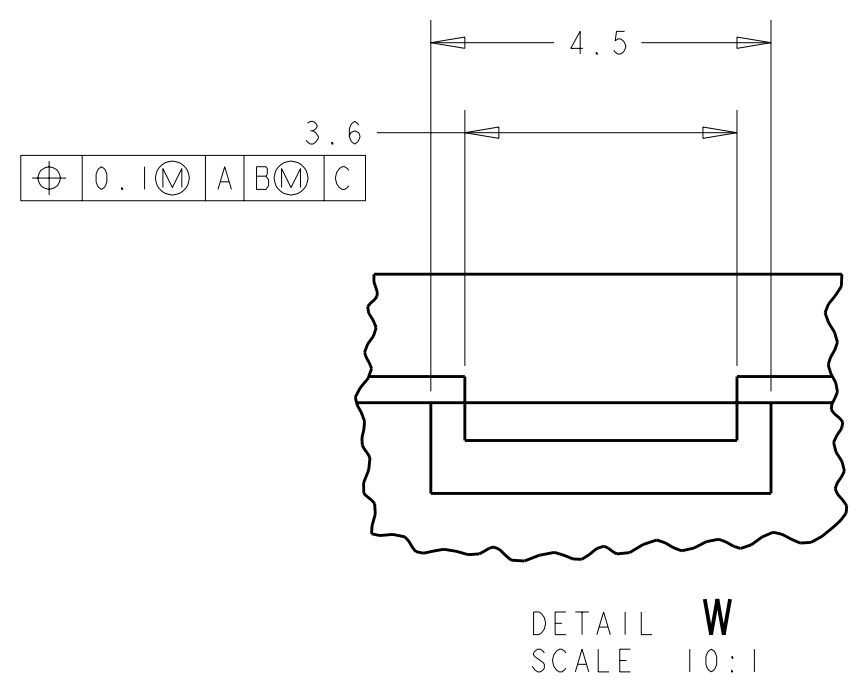
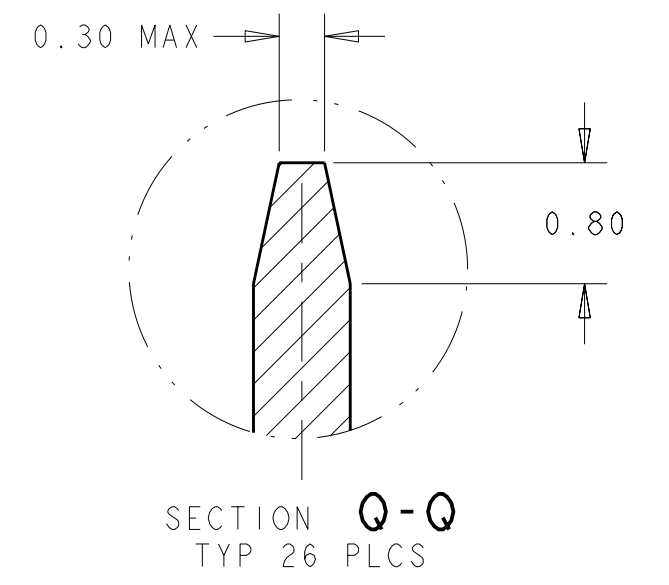
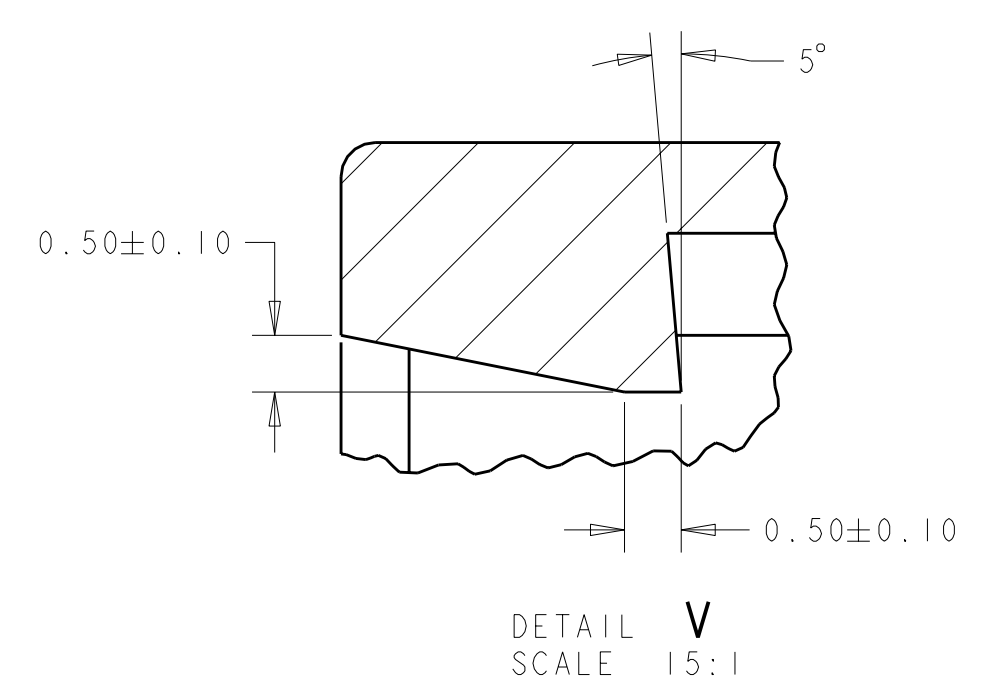
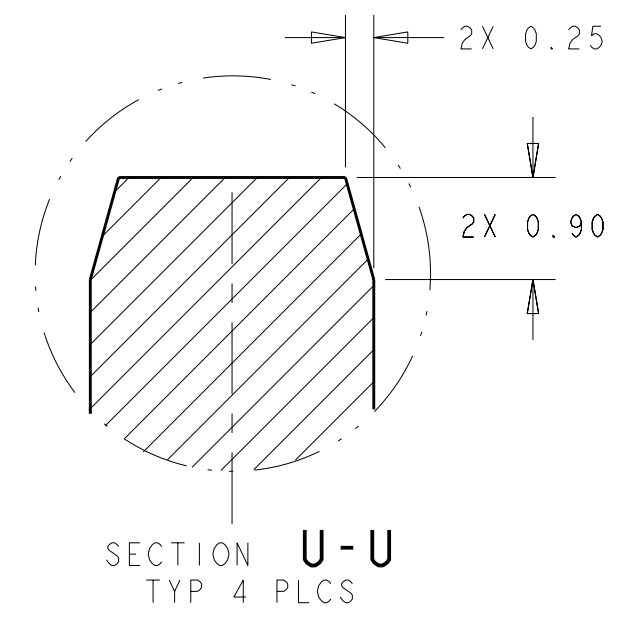
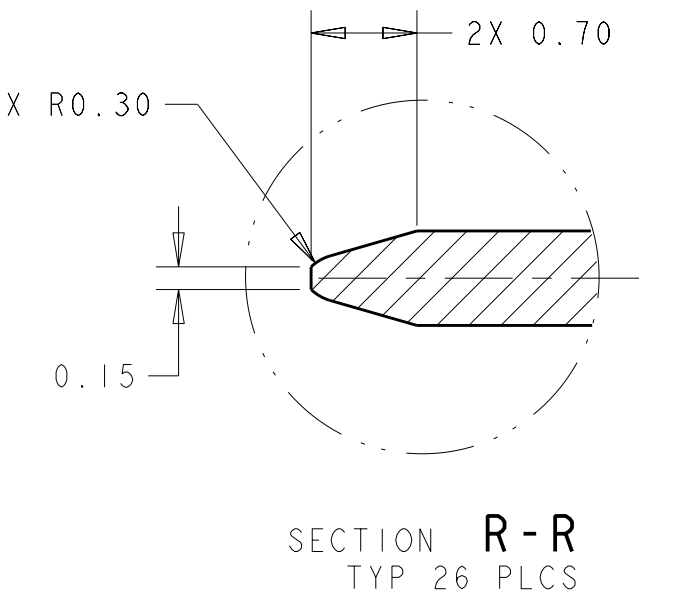
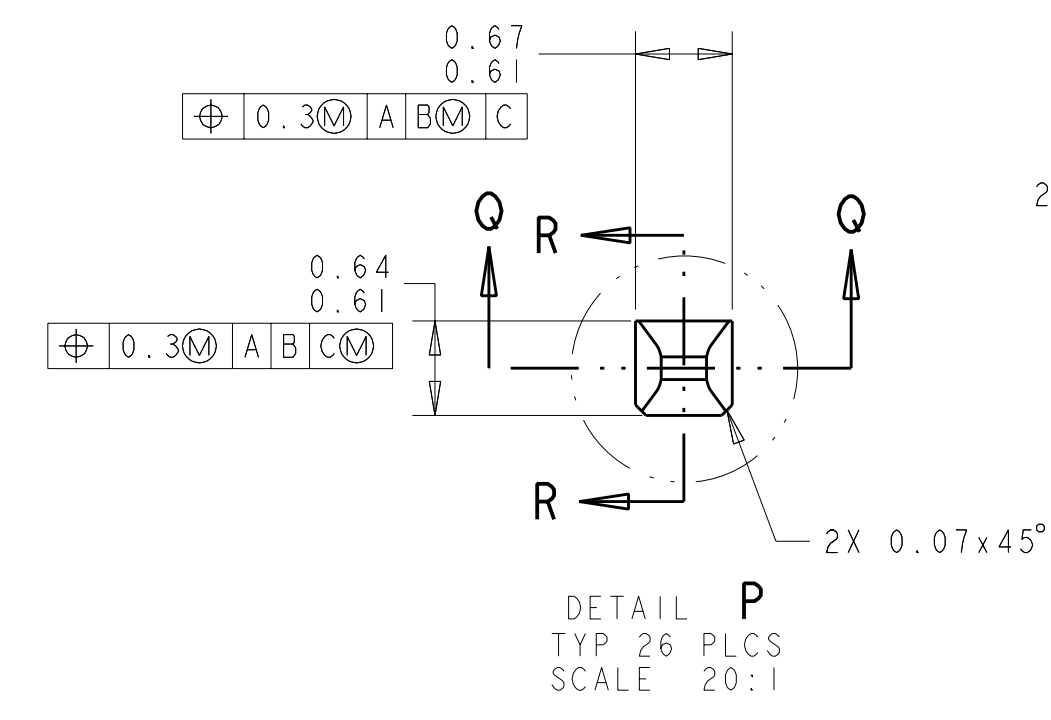
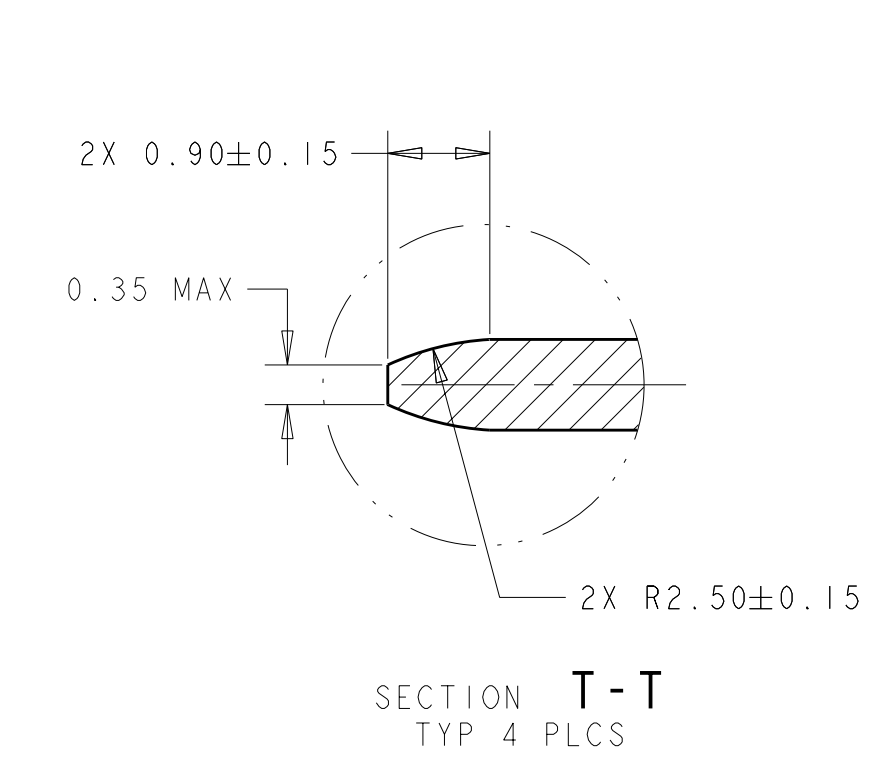
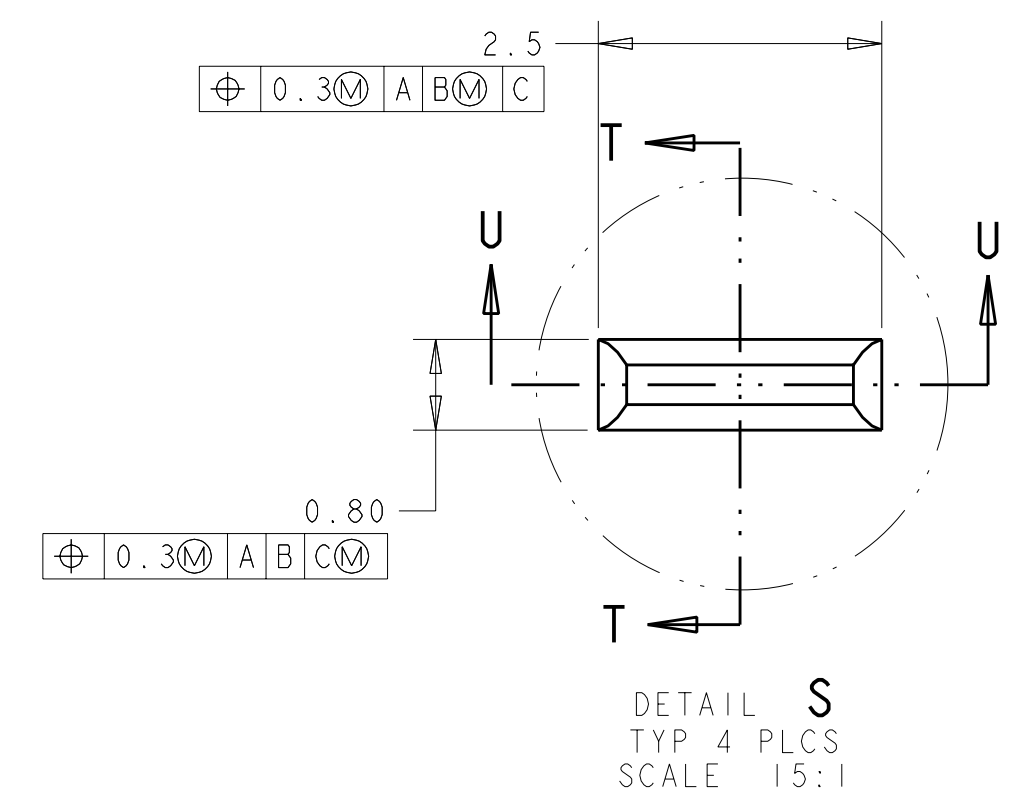
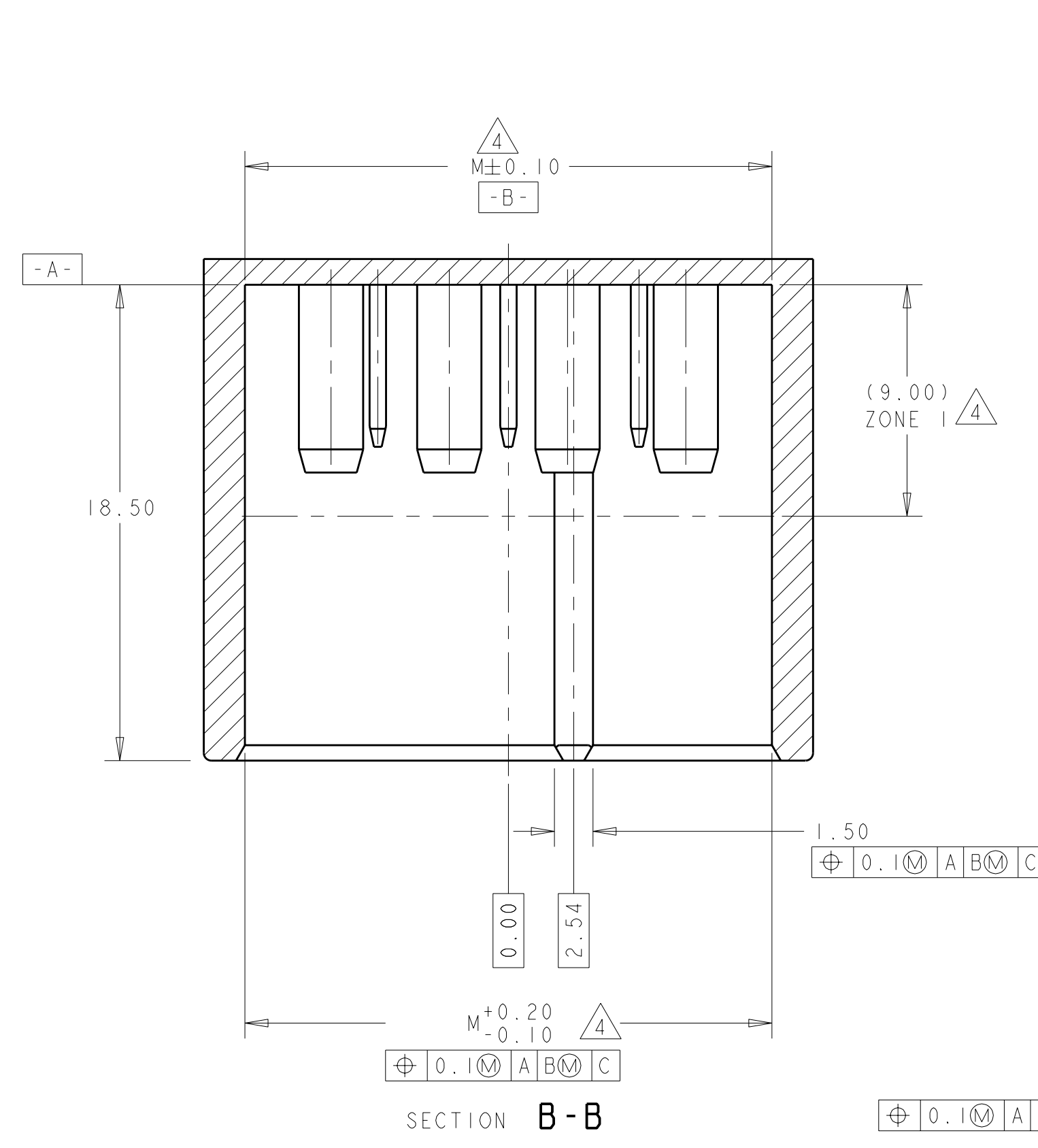


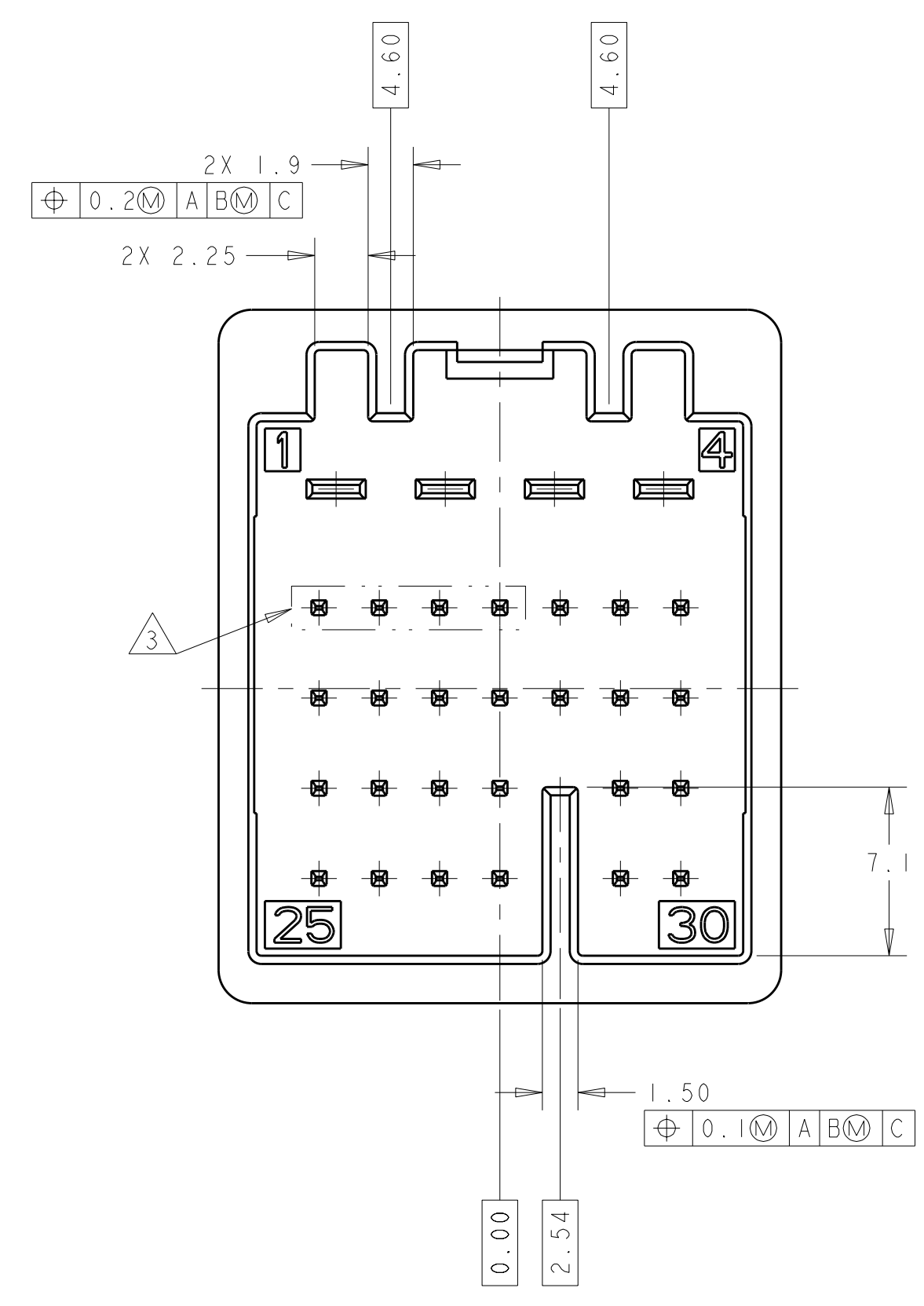
LOC	DIST	REV	DATE	BY	APPD
AV	IN	A	12MAY2011	DLD	CJS



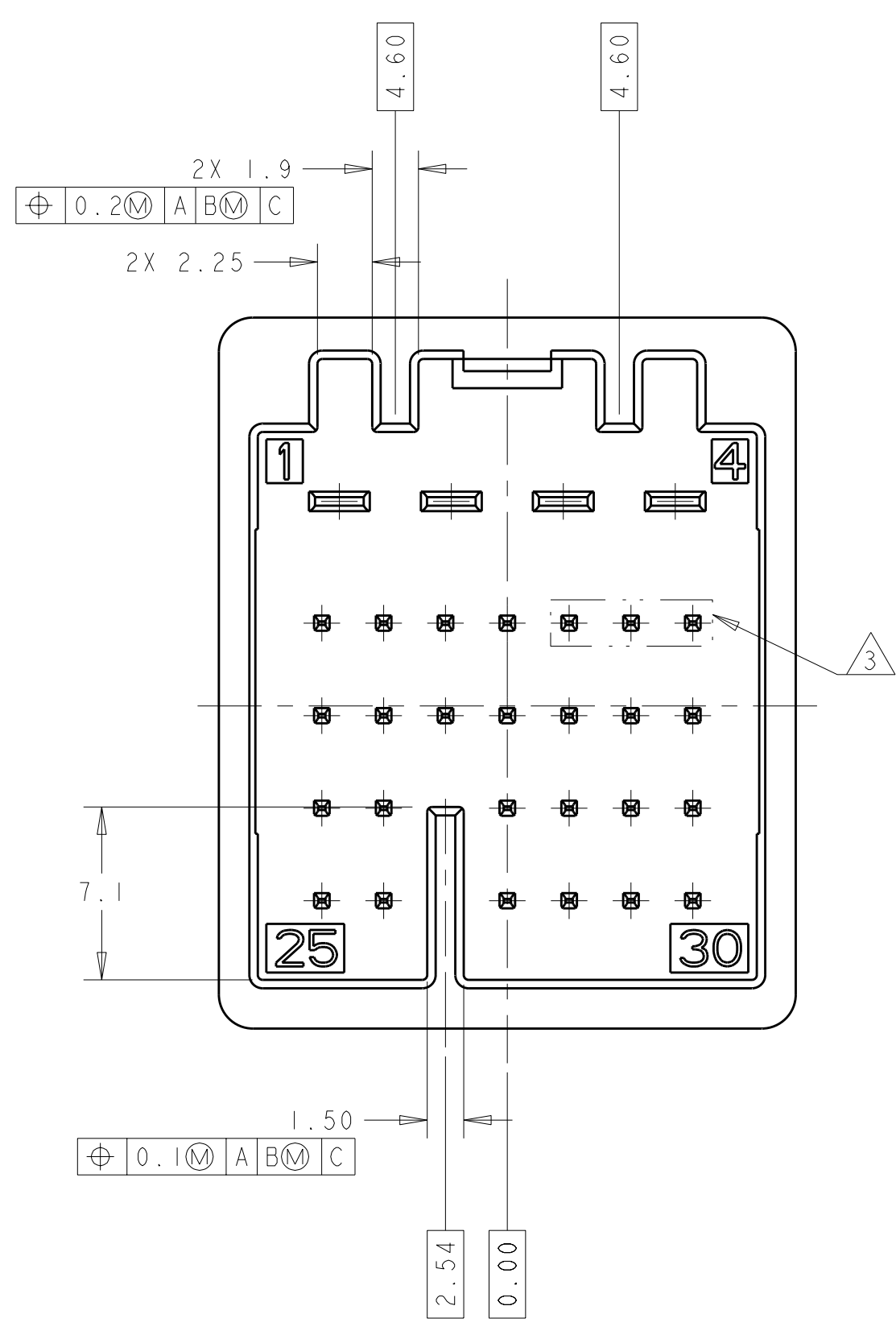
- NOTES:
- KEYING OPTION "A" SHOWN IN GENERAL VIEWS.
 - 0.64 PINS: 0.8μm MIN TIN FOR A LENGTH OF 4.15 MIN FROM MATING END, OVER 2.0μm MIN NICKEL.
 - 2.8 BLADES: 0.8μm MIN TIN FOR A LENGTH OF 6.2 MIN FROM MATING END, OVER 2.0μm MIN NICKEL.
 - OPTIONAL
 - DATUM SIZE AND DIMENSION TO BE MEASURED IN ZONE I
 - DATUM SIZE TO BE MEASURED IN ZONE II
 - DRAFT WITHIN TOLERANCE.
 - ALL UNMARKED RADII TO BE R0.2±0.1, UNLESS OTHERWISE SPECIFIED.
 - MATES WITH TE PART # 2098067

THIS DRAWING IS A CONTROLLED DOCUMENT.		OWN: S. VINAY 04SEP2009	TE Connectivity										
DIMENSIONS: mm		CHK: GALEN MARTIN 04SEP2009											
TOLERANCES UNLESS OTHERWISE SPECIFIED:		APVD: GALEN MARTIN 04SEP2009	NAME: INTERFACE DRAWING 0.64 X 2.8 UNSEALED										
<table border="1"> <tr> <td>9 PLC</td> <td>±0.0</td> </tr> <tr> <td>3 PLC</td> <td>±0.1</td> </tr> <tr> <td>5 PLC</td> <td>±0.05</td> </tr> <tr> <td>4 PLC</td> <td>±</td> </tr> <tr> <td>ANGLES</td> <td>±1°</td> </tr> </table>		9 PLC	±0.0	3 PLC	±0.1	5 PLC	±0.05	4 PLC	±	ANGLES	±1°	PRODUCT SPEC:	SIZE: A100779C=2098385
9 PLC	±0.0												
3 PLC	±0.1												
5 PLC	±0.05												
4 PLC	±												
ANGLES	±1°												
MATERIAL:		APPLICATION SPEC:	RESTRICTED TO:										
FINISH:		WEIGHT:	SCALE: 5:1 SHEET 1 OF 2 REV A										
CUSTOMER DRAWING													

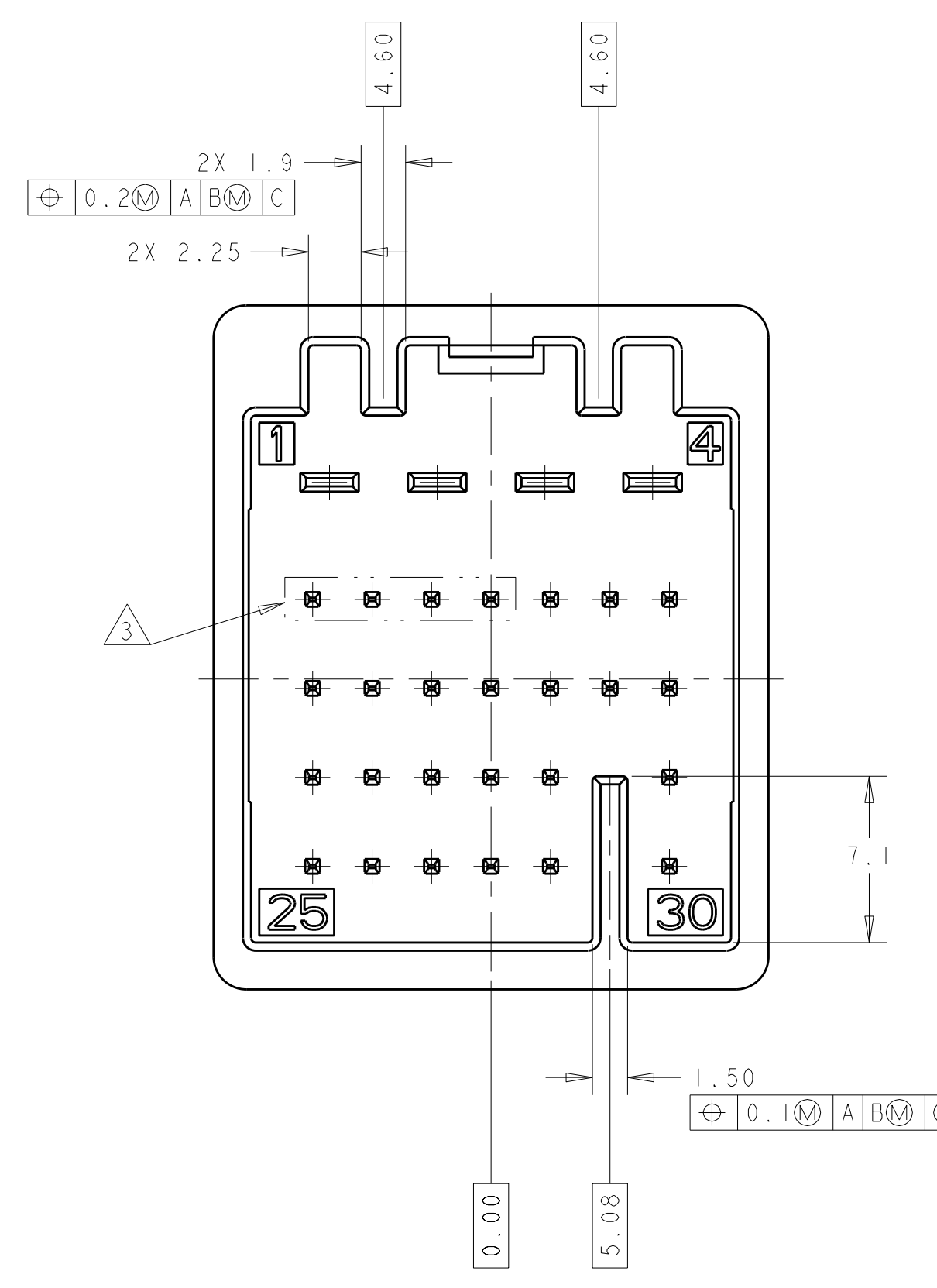
LOC	DIST	REV	DATE	BY	APPD
AV	IN				
REVISIONS					



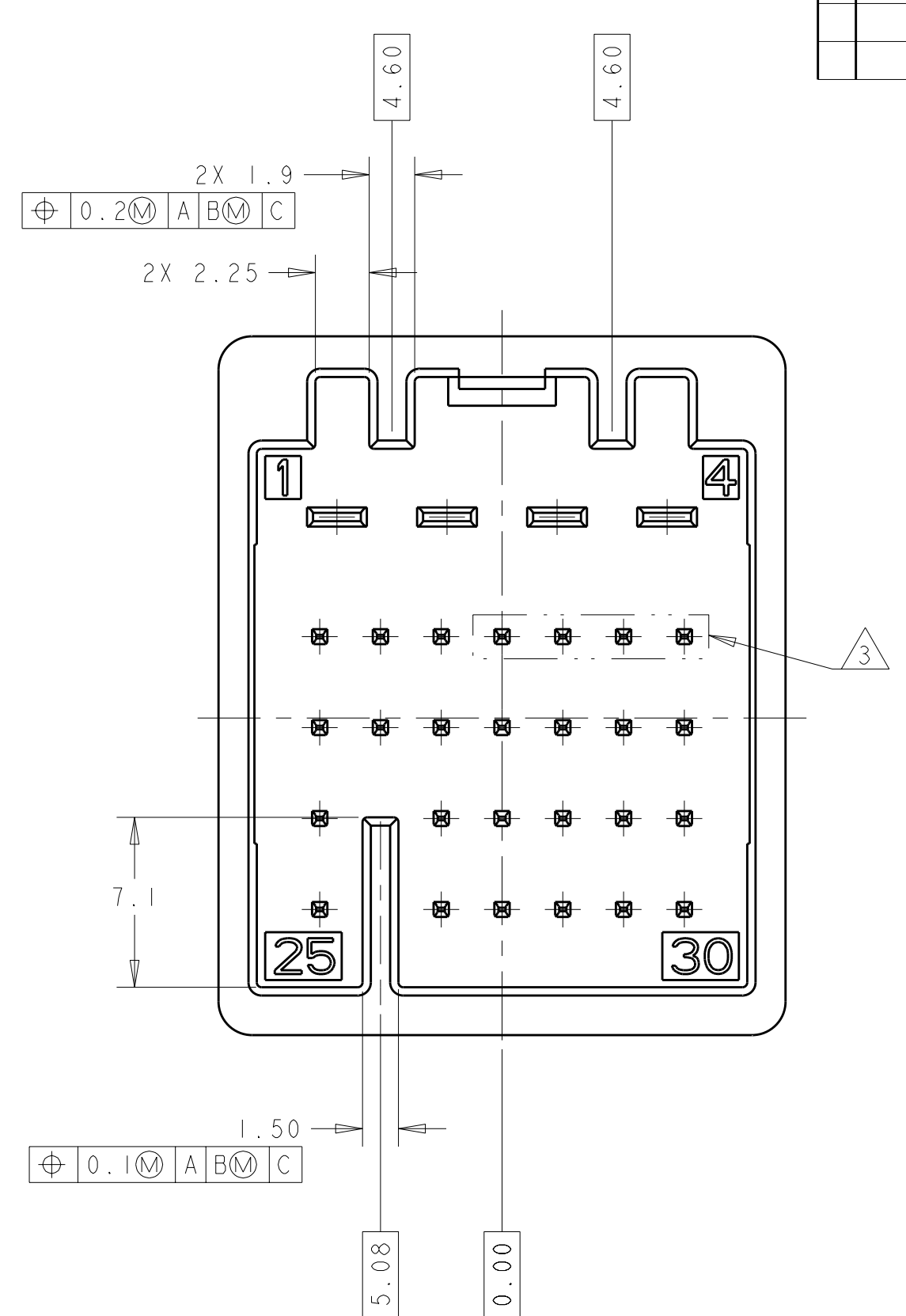
KEYING OPTION "A"
2098385-1



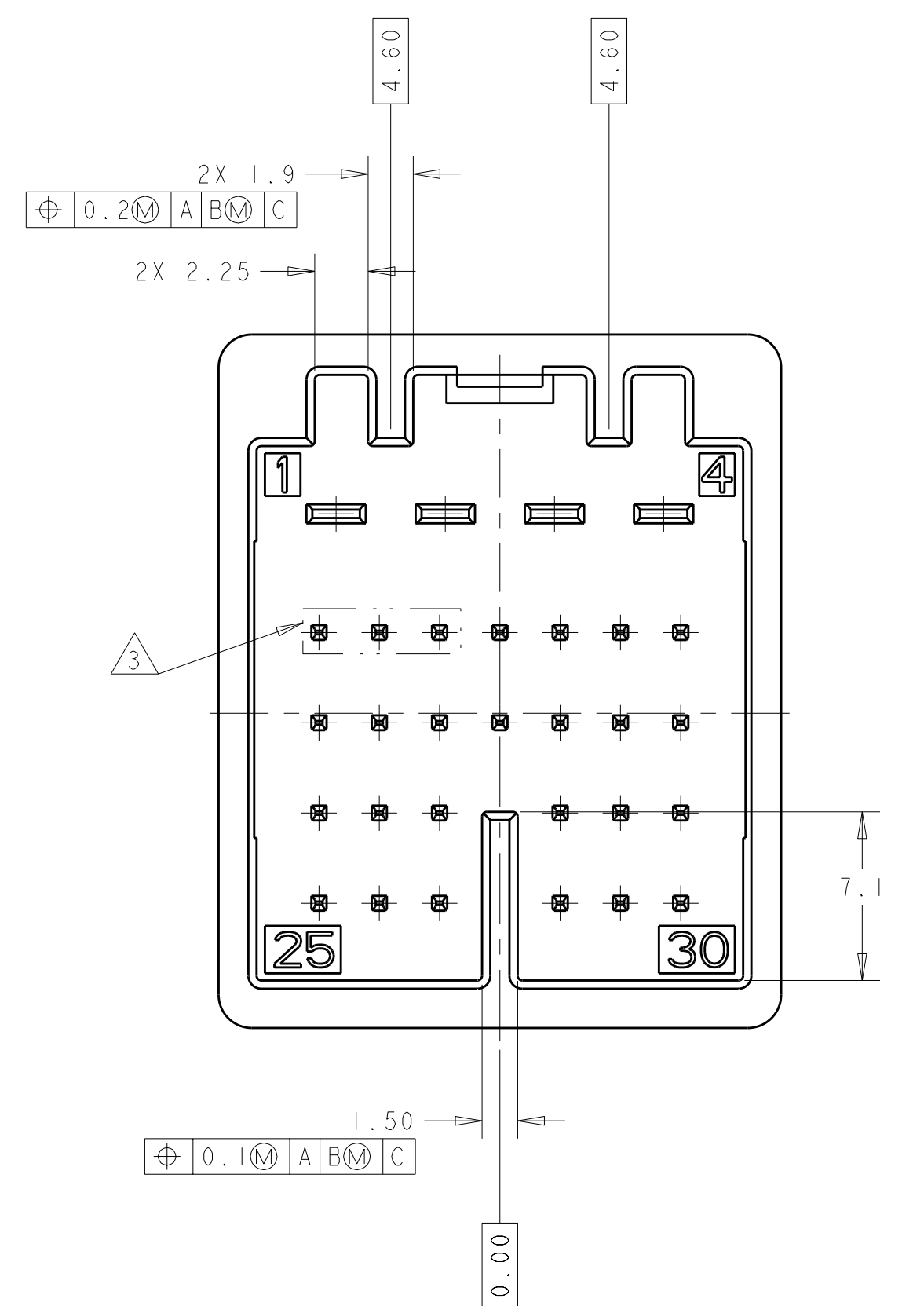
KEYING OPTION "B"
2098385-2



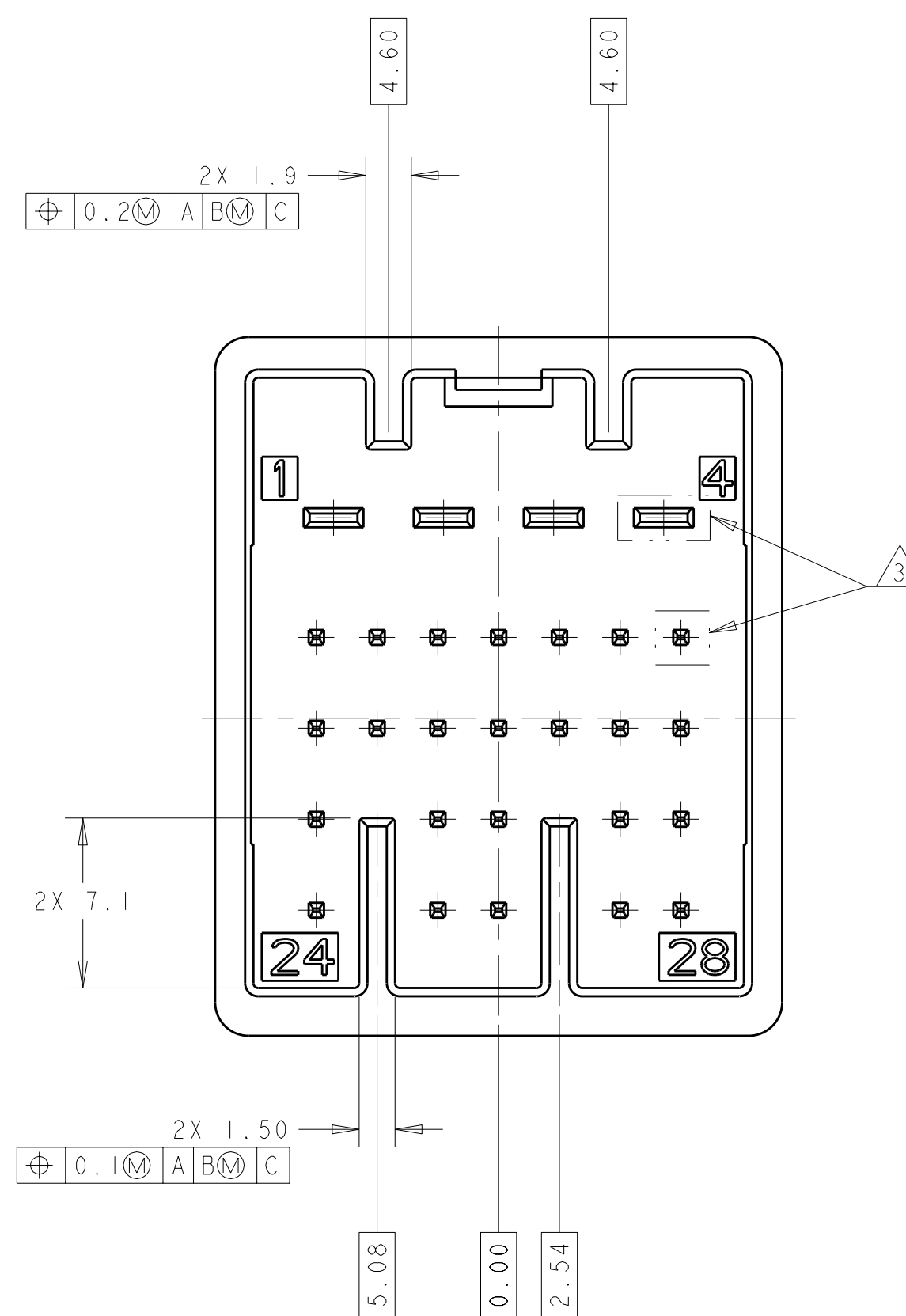
KEYING OPTION "C"
2098385-3



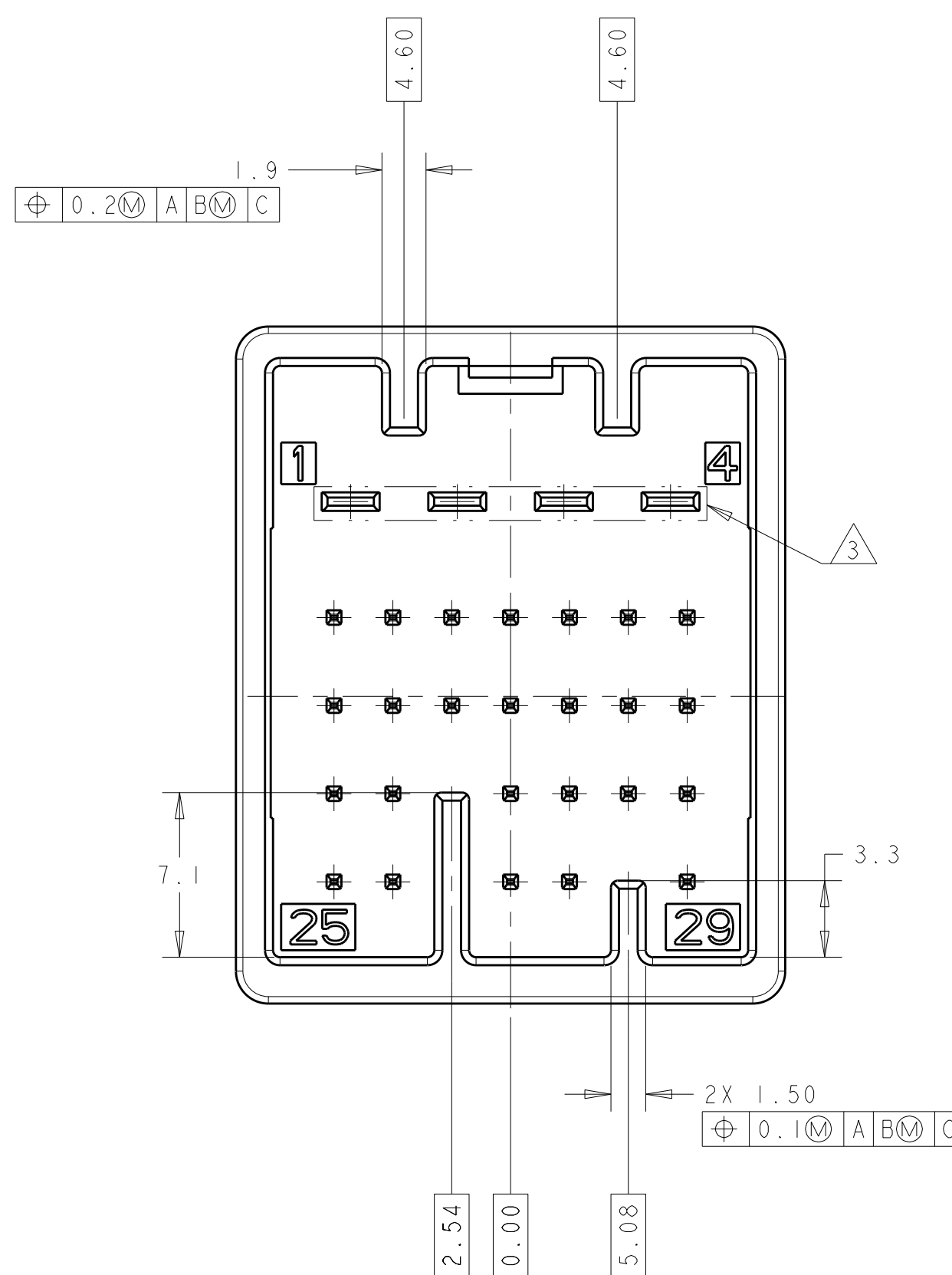
KEYING OPTION "D"
2098385-4



KEYING OPTION "E"
2098385-5



KEYING OPTION "F"
2098385-6



KEYING OPTION "G"
2098385-7

19.9	2098385-7
20.5	2098385-6
20.5	2098385-5
20.5	2098385-4
20.5	2098385-3
20.5	2098385-2
20.5	2098385-1
DIM M	PART NUMBER

THIS DRAWING IS A CONTROLLED DOCUMENT.

DIMENSIONS:	TOLERANCES UNLESS OTHERWISE SPECIFIED:	DWN S. VINAY 04SEP2009	NAME
mm	0 PLC ±0.0	CHK GALEN MARTIN 04SEP2009	INTERFACE DRAWING
	1 PLC ±0.1	APPD GALEN MARTIN 04SEP2009	0.64 X 2.8 UNSEALED
	2 PLC ±0.05	PRODUCT SPEC	
	3 PLC ±0.1	APPLICATION SPEC	
	4 PLC ±0.1	RESTRICTED TO	
	ANGLES ±°	SIZE CAGE CODE DRAWING NO	
MATERIAL	FINISH	WEIGHT	A100779C=2098385
		CUSTOMER DRAWING	SCALE 4:1 SHEET 2 OF 2 REV A