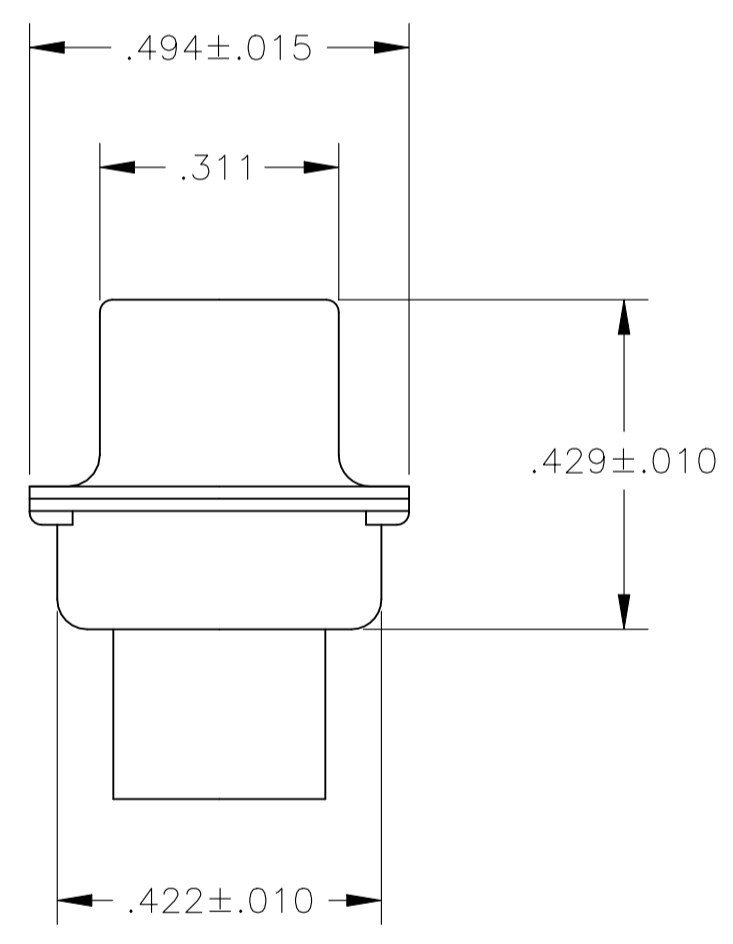
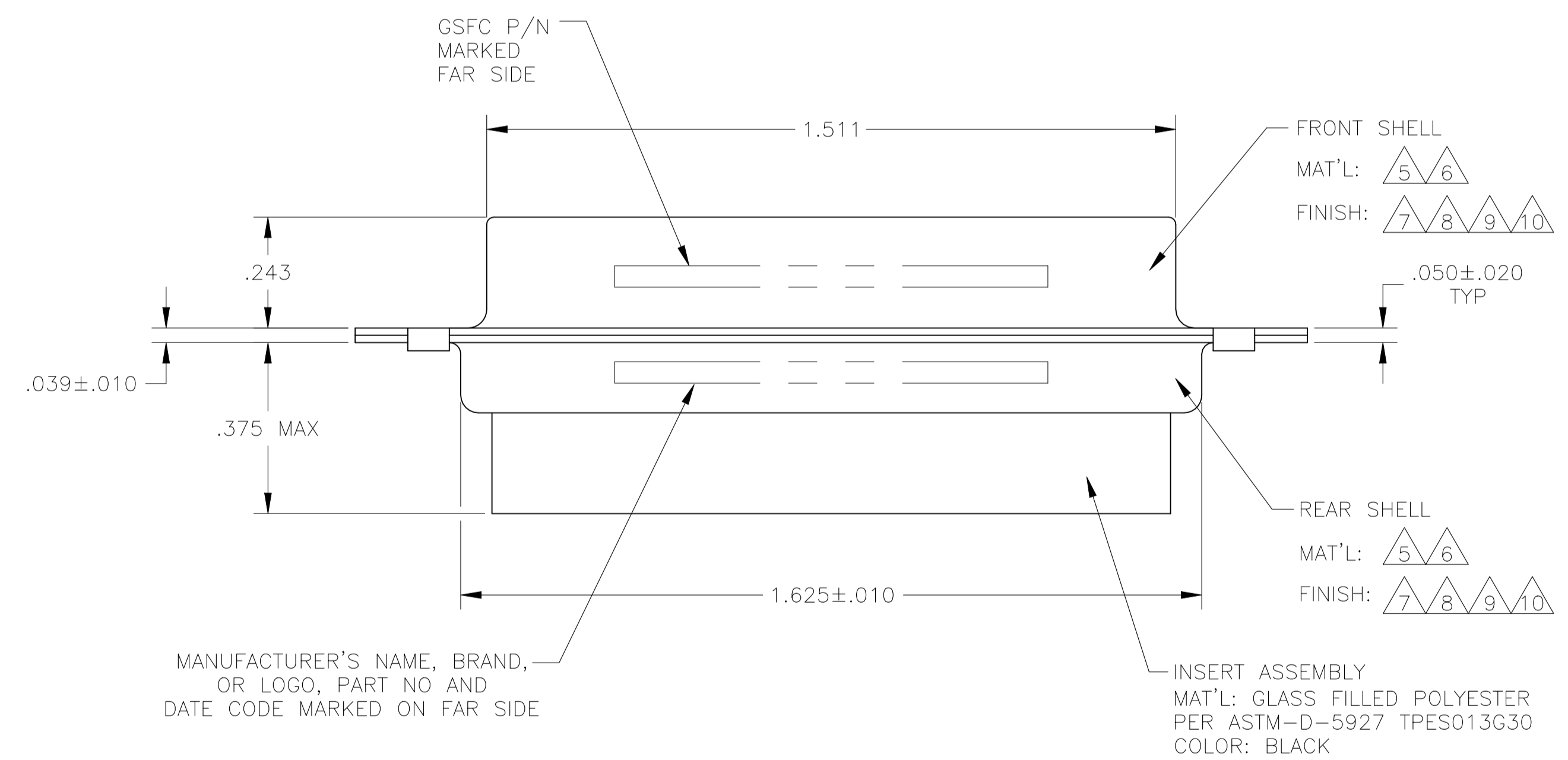
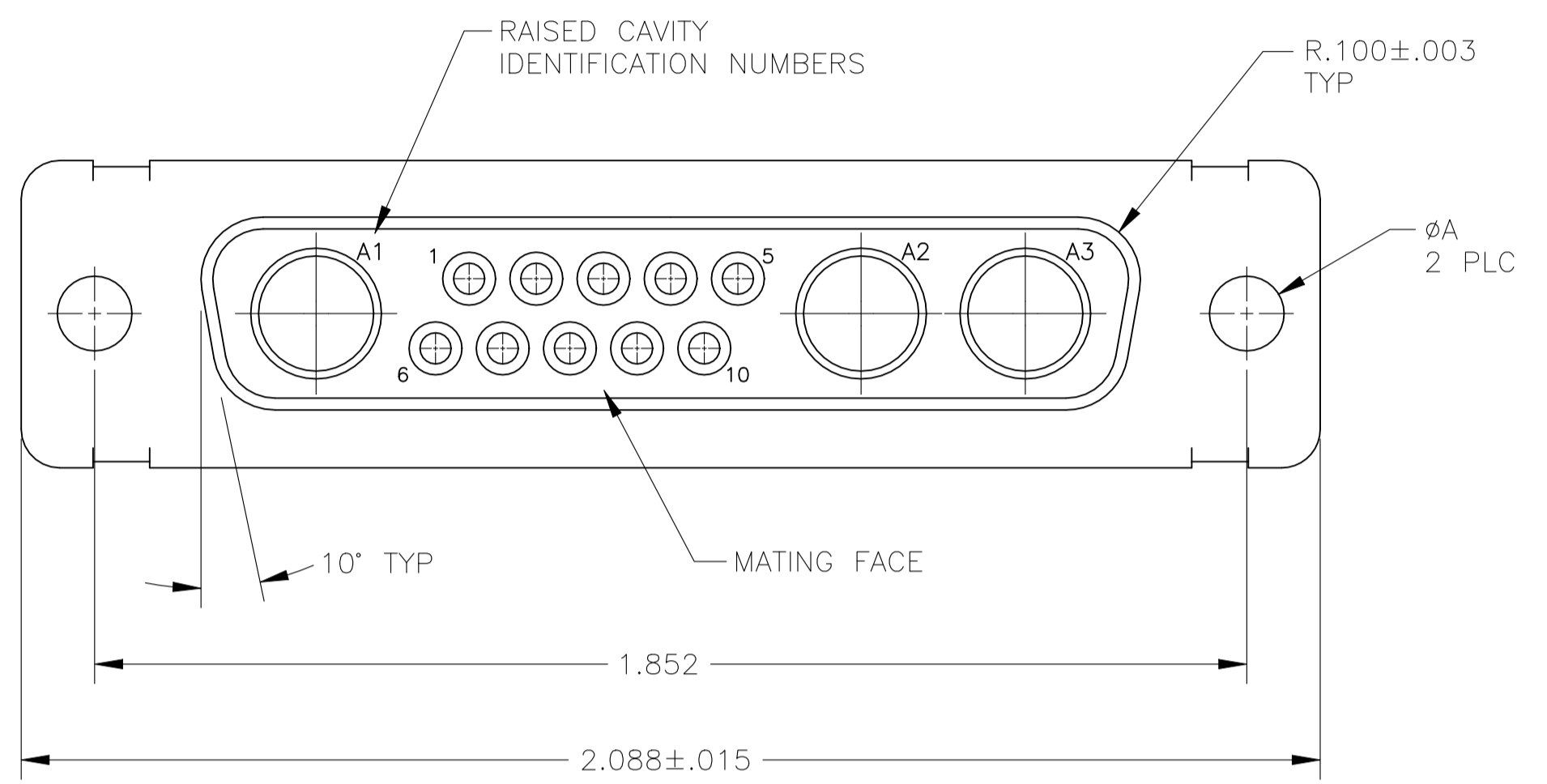


REVISIONS				
P	LTR	DESCRIPTION	DATE	APPROV
U		REVISED PER ECN-24-271339	21JUN2024	PE DS

WARNING - THIS DOCUMENT CONTAINS TECHNOLOGY WHOSE EXPORT IS RESTRICTED BY THE EXPORT ADMINISTRATION REGULATIONS ("EAR") PURSUANT TO 15 C.F.R. PARTS 730-774. VIOLATIONS OF THE EAR ARE SUBJECT TO SEVERE CRIMINAL PENALTIES UNDER THE EXPORT CONTROL REFORM ACT, AS AMENDED (TITLE 50, U.S.C., SEC. 4801, ET SEQ.).

- THIS RECEPTACLE WILL MATE WITH ANY 13C3, SIZE 3 PLUG IN AMPLIMITE SERIES.
 - MAXIMUM WIRE INSULATION TO BE USED WITH THIS RECEPTACLE IS $\phi .068$.
 - THIS CONNECTOR ACCEPTS (3) POWER 8, OR COAX SOCKET CONTACTS IN POSITIONS A1 THRU A3, PURCHASED SEPARATELY.
 - THIS CONNECTOR ACCEPTS SIZE 20 SOCKET SIGNAL CONTACTS IN POSITIONS 1 THRU 10, PURCHASED SEPARATELY.
- $\triangle 5$ STEEL PER ASTM-A-109.
 - $\triangle 6$ BRASS PER MIL-C-50 AND ASTM-B-36 UNS NO. C26000.
 - $\triangle 7$ FINISH: CADMIUM PLATED PER QQ-P-416.
 - $\triangle 8$ FINISH: TIN PER ASTM-B-545 .000400 MIN THK OVER COPPER PER AMS2418 .000050 MIN THK.
 - $\triangle 9$ GOLD PLATED PER ASTM-B-488 TYPE II, GRADE C, CLASS 1 OVER COPPER PER AMS2418, CLASS IV.
 - $\triangle 10$ FINISH: ZINC PLATE PER ASTM-B-633, .000200-.000400 THK WITH SUPPLEMENTARY CHROMATE (Cr3+)



REMARKS	ϕA	GSFC P/N	PART NO.
$\triangle 5 \triangle 8$.120	-	5-208811-2
$\triangle 5 \triangle 10$.120	-	5-208811-1
208811-4 OBSOLETE	$\triangle 6 \triangle 9$.154	311P405-12S-B-15 208811-4
208811-3 OBSOLETE	$\triangle 6 \triangle 9$.120	311P405-12S-B-12 208811-3
208811-2 OBSOLETE	$\triangle 5 \triangle 8$.120	208811-2
	$\triangle 5 \triangle 7$.120	208811-1

THIS DRAWING IS A CONTROLLED DOCUMENT.

DIMENSIONS: INCHES	TOLERANCES UNLESS OTHERWISE SPECIFIED:	DIN C.C.THOMAS 04FEB88	APPROV A.FMADI 09FEB88	NAME RECEPTACLE ASSEMBLY AMPLIMITE 13C3 SIZE 3, SERIES 109, COAX MIX
0 PLC ± -	1 PLC ± -	2 PLC ± -	3 PLC ± .005(0.13)	4 PLC ± -
ANGLES ± 0°30'				
MATERIAL -	FINISH -	WEIGHT -	SIZE A1 00779	DRAWING NO C=208811
CUSTOMER DRAWING		SCALE 4:1	SHEET 1 of 1	REV U