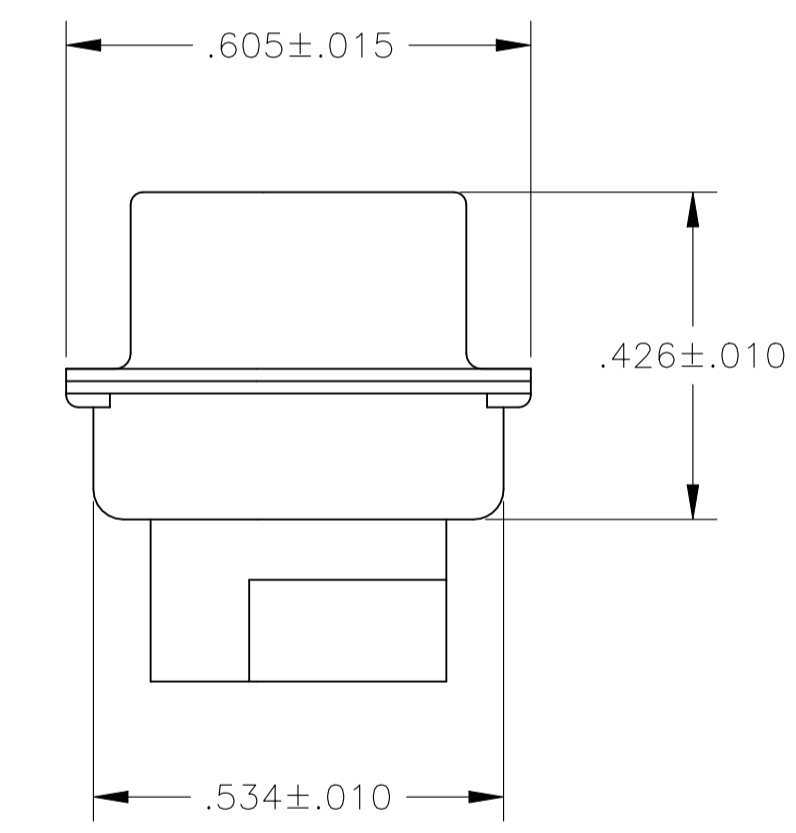
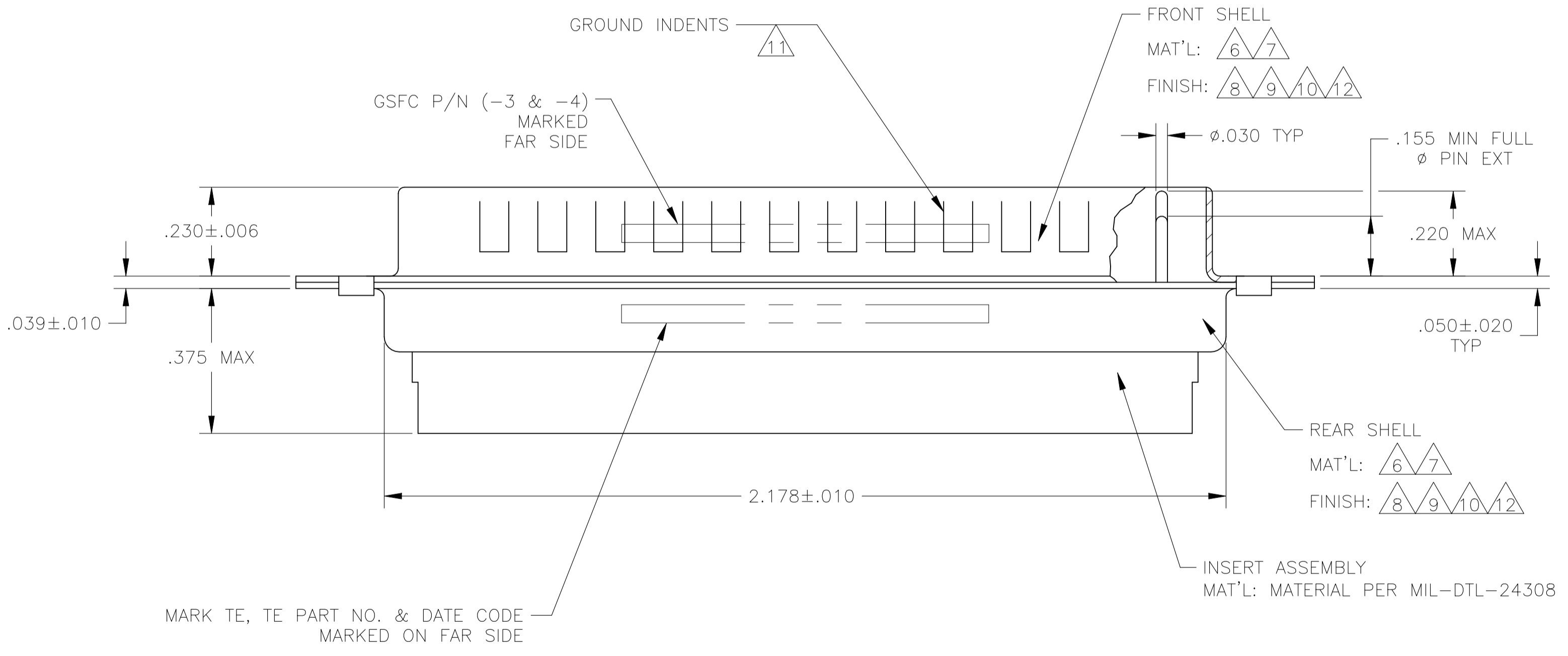
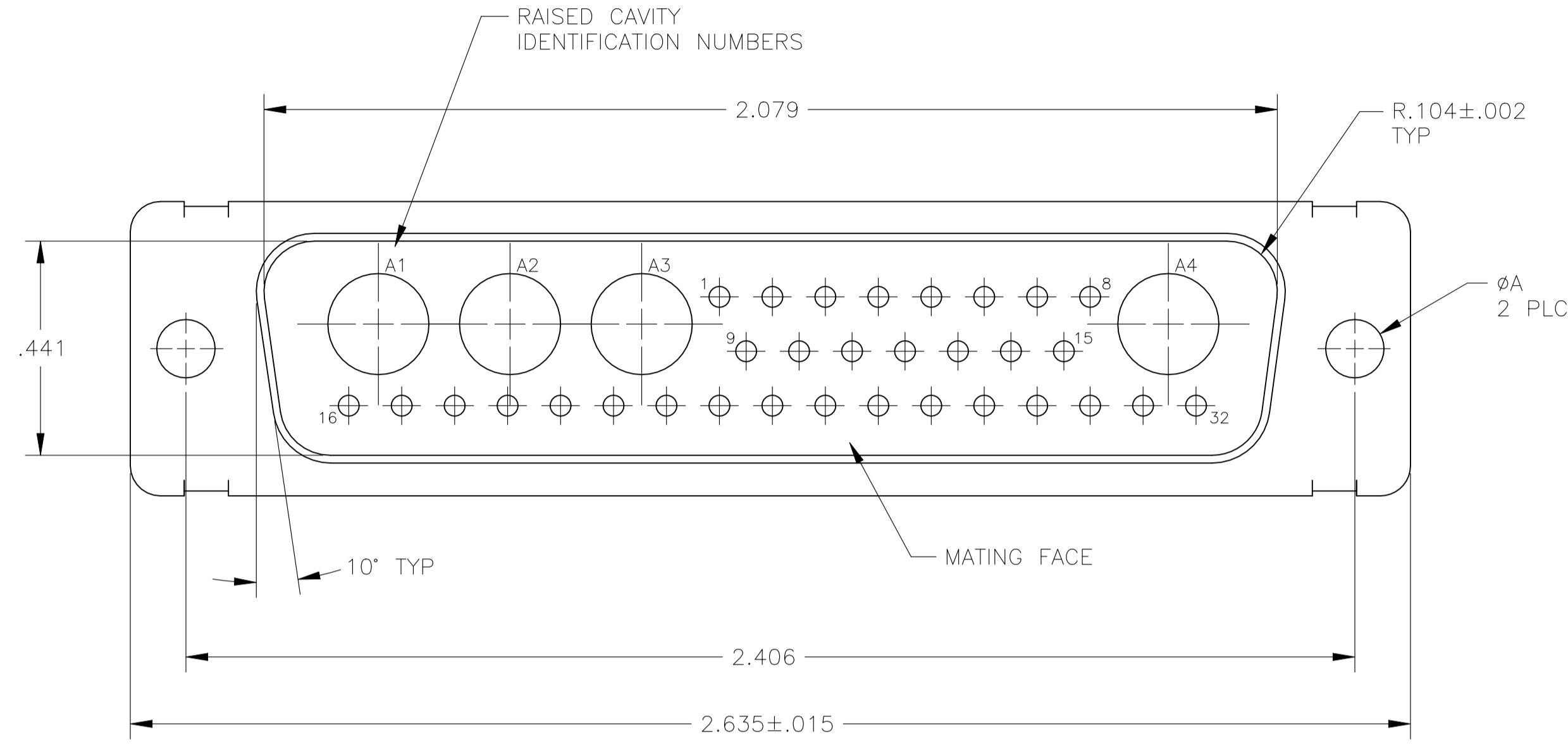


REVISIONS				
P	LTR	DESCRIPTION	DATE	APP'D
R		REVISED PER ECN-24-271612	19JUN2024	PE DS

- THIS PLUG WILL MATE WITH ANY 36C4, SIZE 5 RECEPTACLE IN AMPLIMITE SERIES.
- MAXIMUM WIRE INSULATION TO BE USED WITH THIS PLUG IS $\phi.072$.
- THIS CONNECTOR ACCEPTS (4) POWER 8, OR COAX PIN CONTACTS IN POSITIONS A1 THRU A4, PURCHASED SEPARATELY.
- THIS CONNECTOR ACCEPTS SIZE 20 PIN SIGNAL CONTACTS IN POSITIONS 1 THRU 32, PURCHASED SEPARATELY.
- INSERTION/EXTRACTION TOOL USED FOR SIZE 20 PIN SIGNAL CONTACTS IS 91067-2.
- STEEL PER ASTM-A-109.
- BRASS PER MIL-C-50 AND ASTM-B-36 UNS NO. C26000.
- FINISH: CADMIUM PLATED PER QQ-P-416, TYPE II, CLASS 2.
- FINISH: GOLD PLATED PER MIL-G-45204 TYPE II, GRADE C, CLASS 1 OVER COPPER PER MIL-C-14550, CLASS IV.
- FINISH: TIN PER ASTM-B-545, .000400 MIN THK OVER COPPER PER AMS2418, .000050 MIN THK.
- GROUNDING INDENTS FOR 208744-5 & 5-208744-5 ONLY.
- FINISH: ZINC PLATE PER ASTM-B-633 .000200-.000400 THK WITH SUPPLEMENTARY CHROMATE (Cr3+).



MARK TE, TE PART NO. & DATE CODE MARKED ON FAR SIDE

WARNING - THIS DOCUMENT CONTAINS TECHNOLOGY WHOSE EXPORT IS RESTRICTED BY THE EXPORT ADMINISTRATION REGULATIONS ("EAR") PURSUANT TO 15 C.F.R. PARTS 730-774. VIOLATIONS OF THE EAR ARE SUBJECT TO SEVERE CRIMINAL PENALTIES UNDER THE EXPORT CONTROL REFORM ACT, AS AMENDED (TITLE 50, U.S.C., SEC. 4801, ET SEQ.).

	$\triangle 6 \triangle 11 \triangle 10$.120	-	5-208744-5
	$\triangle 6 \triangle 12$.154	-	5-208744-2
	$\triangle 6 \triangle 12$.120	-	5-208744-1
208744-5 OBSOLETE	$\triangle 6 \triangle 10 \triangle 11$.120	-	208744-5
208744-4 OBSOLETE	$\triangle 7 \triangle 9$.154	311P405-23P-B-15	208744-4
208744-3 OBSOLETE	$\triangle 7 \triangle 9$.120	311P405-23P-B-12	208744-3
208744-2 OBSOLETE	$\triangle 6 \triangle 8$.154	-	208744-2
	$\triangle 6 \triangle 8$.120	-	208744-1
REMARKS	ϕA	GSFC P/N	PART NO.	

THIS DRAWING IS A CONTROLLED DOCUMENT.

DIMENSIONS: INCHES	TOLERANCES UNLESS OTHERWISE SPECIFIED:	0. PLC ± -	1. PLC ± -	2. PLC ± -	3. PLC ± .005(0.13)	4. PLC ± -	ANGLES ± 0°30'
MATERIAL	FINISH	APPLICABLE SPEC		SIZE	CAGE CODE	DRAWING NO	RESTRICTED TO
-	-	-		A1	00779	208744	-
CUSTOMER DRAWING				SCALE	SHEET	REV	
				4:1	1 of 1	R	

MANUNATH G. M. 27-May-15
 CHARLES THOMAS 27-May-15
 CHARLES THOMAS 27-May-15

PLUG ASSEMBLY
 AMPLIMITE 36C4
 SIZE 5, COAX MIX

TE Connectivity