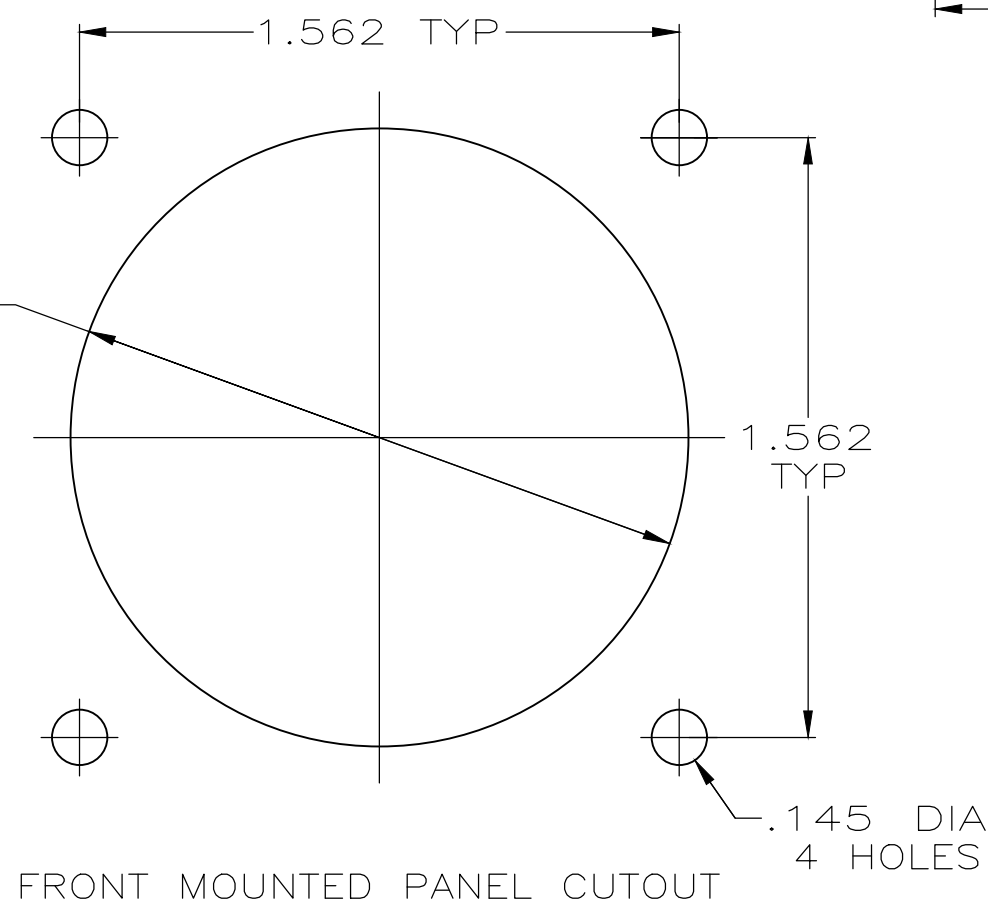
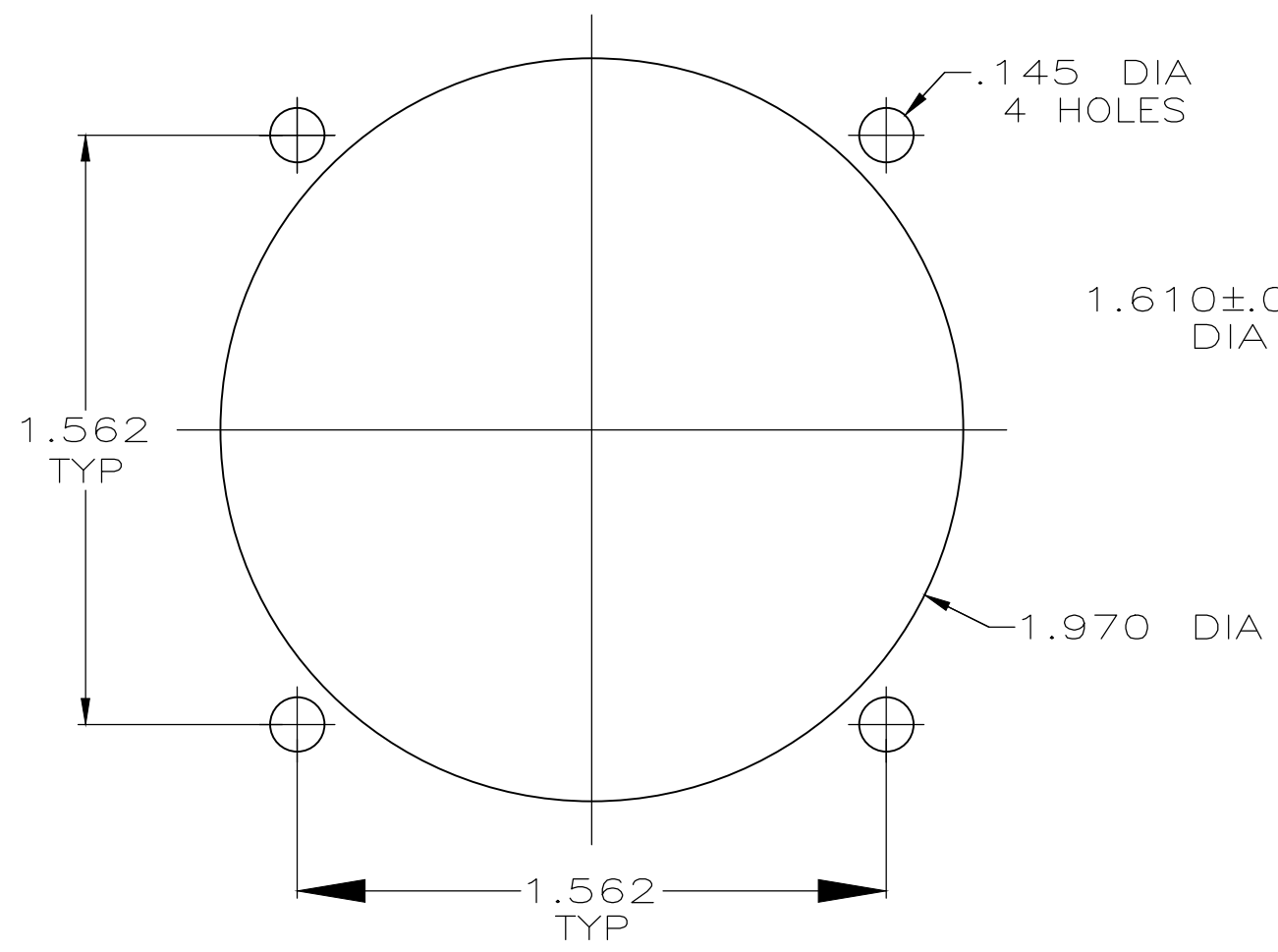
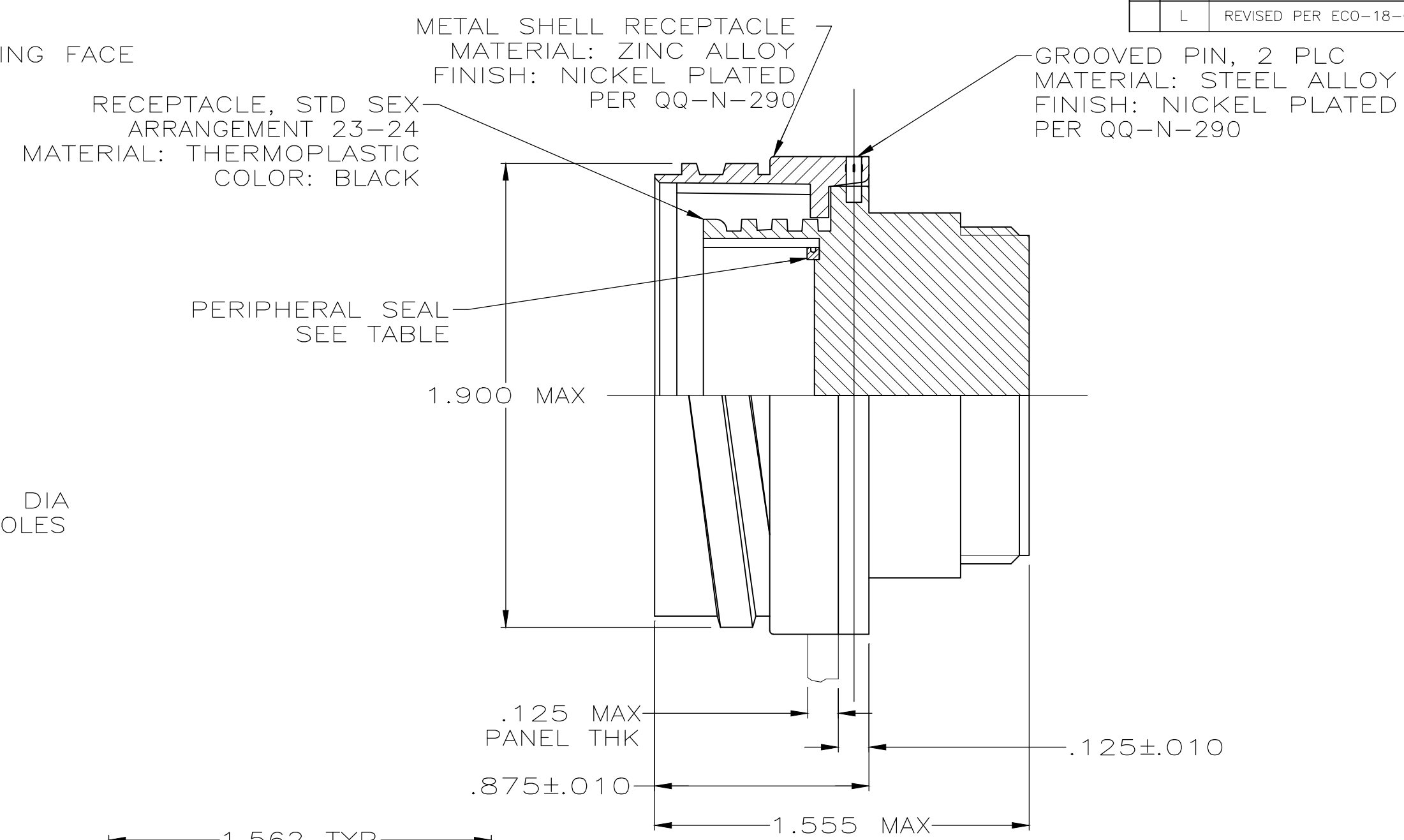
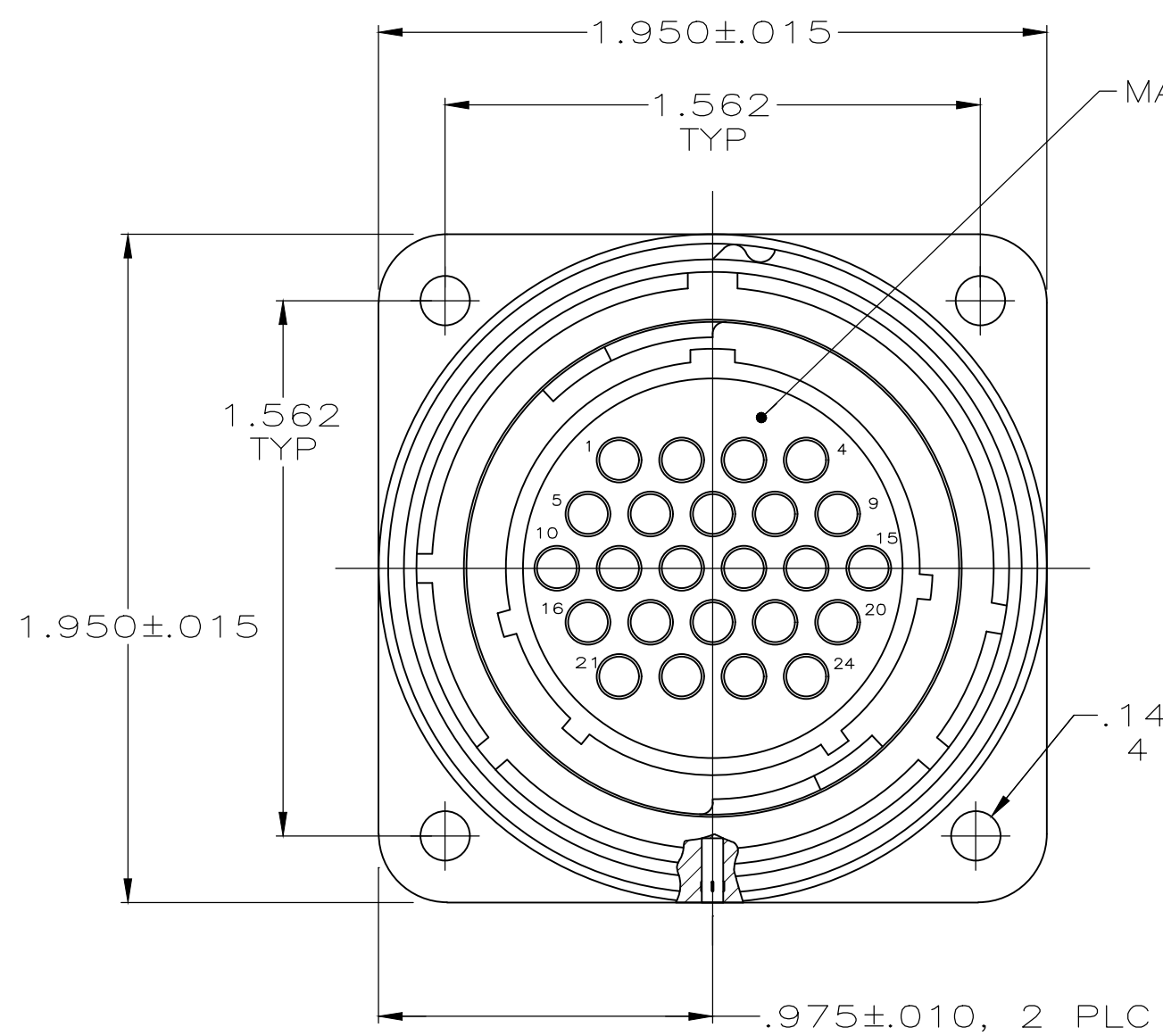


THIS DRAWING IS UNPUBLISHED. RELEASED FOR PUBLICATION
 © COPYRIGHT - TE Connectivity Ltd. ALL RIGHTS RESERVED.

REVISIONS				
P	LTR	DESCRIPTION	DATE	APVD
L		REVISED PER ECO-18-007010	23MAY2018	KH MZ



OBSOLETE	YES	208459-2
	NO	208459-1
	PERIPHERAL SEAL	PART NUMBER

- 208459-1 MATES WITH AMP PLUG 208457-1 OR -3. 208459-2 MATES WITH 208457-1 ONLY.
- PART NUMBER AND DATE CODE MARKED ON ANY ANY FLANGE EDGE.

THIS DRAWING IS A CONTROLLED DOCUMENT.		DWN R.LEE BG 6-22-91	STE TE Connectivity Ltd.	
DIMENSIONS: INCHES		CHK W.G.LENKER 4-15-92		
TOLERANCES UNLESS OTHERWISE SPECIFIED:		APVD K.BEAVER 4-15-92	NAME	
0 PLC ± -		PRODUCT SPEC 108-10040	RECEPTACLE ASSEMBLY, STD SEX, SERIES 1, 28-24, CMC	
1 PLC ± -		APPLICATION SPEC	SIZE	CAGE CODE
2 PLC ± -			A2	00779
3 PLC ± .005			DRAWING NO	RESTRICTED TO
4 PLC ± -			C=208459	-
ANGLES ± -		WEIGHT 0	SCALE 2:1	SHEET 1 of 1
FINISH SEE CALLOUT		CUSTOMER DRAWING	REV L	

208459