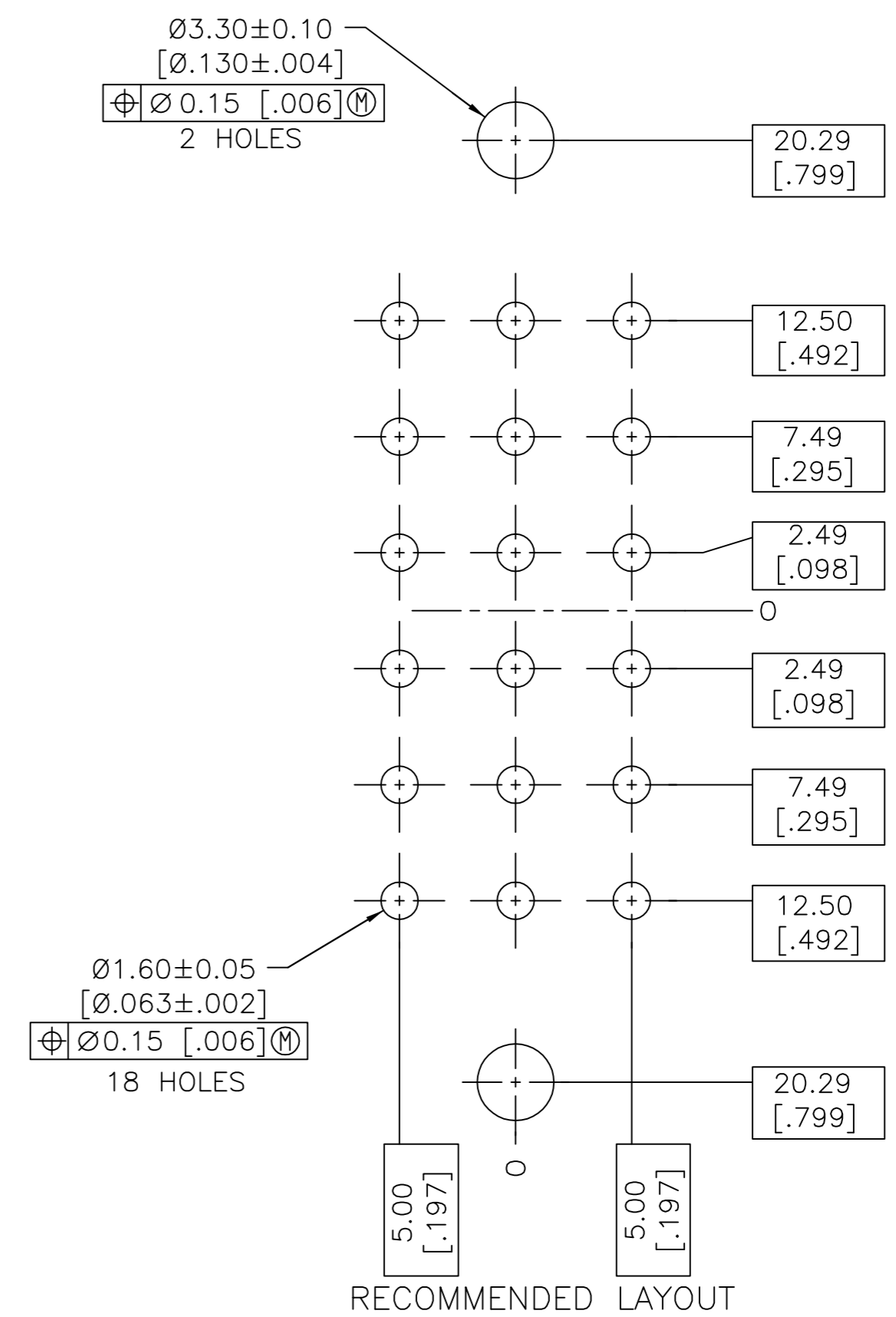
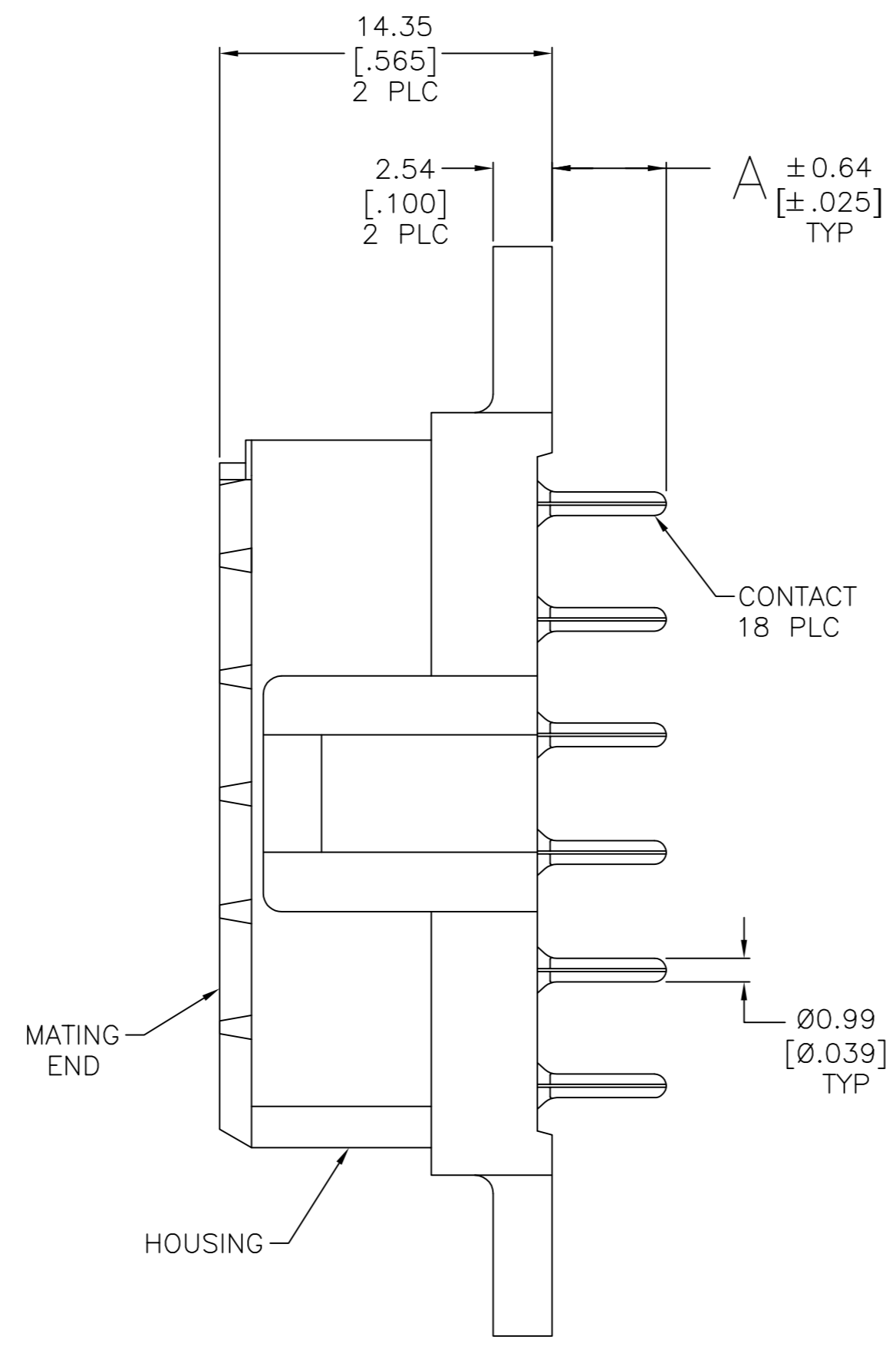
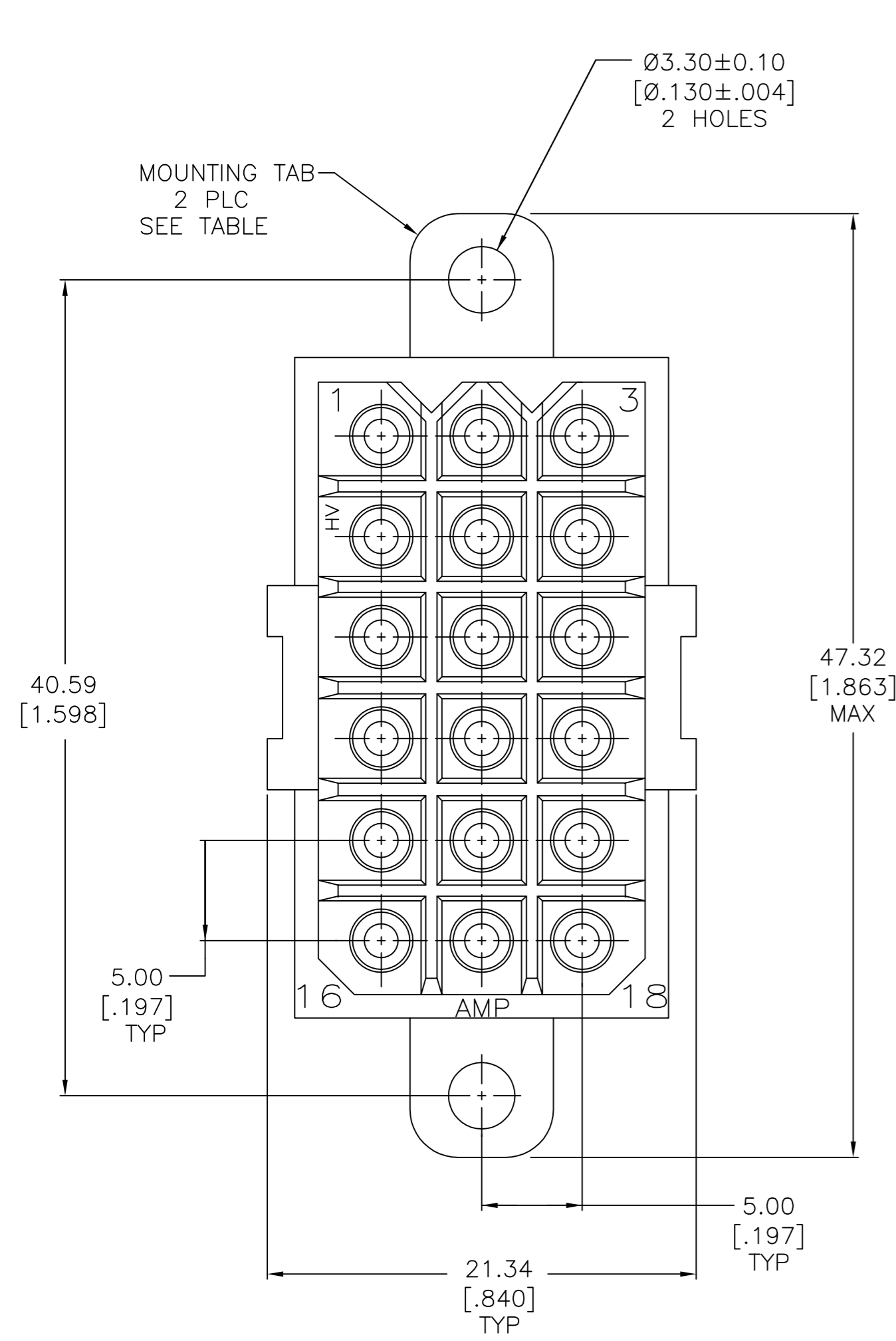


THIS DRAWING IS UNPUBLISHED. RELEASED FOR PUBLICATION
 © COPYRIGHT - By - ALL RIGHTS RESERVED.

REVISIONS					
P	LTR	DESCRIPTION	DATE	DWN	APVD
N		REVISED PER ECO-16-004940	06AUG2016	NK	MZ
P		REVISED PER ECO-17-011181	04AUG2017	RS	MZ



- 1 NYLON, UL 94-VO RATED, RED.
- 2 PHOSPHOR BRONZE.
- 3 3.81µm [.000150] MIN TIN-LEAD OVER 1.27µm [.000050] MIN NICKEL.
- 4 0.76µm [.000030] MIN GOLD FOR A LENGTH OF 4.95 [.195] MIN FROM MATING END, 3.81µm [.000150] MIN TIN-LEAD FOR A LENGTH OF 4.88 [.192] MIN ON OPPOSITE END, BOTH OVER 1.27µm [.000050] MIN NICKEL.
- 5 3.81µm [.000150] MIN TIN OVER 1.27µm [.000050] MIN NICKEL.
- 6 0.76µm [.000030] MIN GOLD FOR A LENGTH OF 4.95 [.195] MIN FROM MATING END, 3.81µm [.000150] MIN TIN FOR A LENGTH OF 4.88 [.192] MIN ON OPPOSITE END, BOTH OVER 1.27µm [.000050] MIN NICKEL.
- 7 PRELIMINARY PART NUMBER.

OBSOLETE	3.50 [.137]	6	YES	1-207530-1
OBSOLETE		6	NO	1-207530-0
		6	YES	207530-9
		5	NO	207530-8
		5	YES	207530-7
		4	NO	207530-4
		4	YES	207530-3
OBSOLETE		3	NO	207530-2
		3	YES	207530-1

THIS DRAWING IS A CONTROLLED DOCUMENT.		DWN	03/19/92		
DIMENSIONS: mm [INCHES]		CHK	3-25-92		
TOLERANCES UNLESS OTHERWISE SPECIFIED:		R.STONE		TE Connectivity	
0 PLC ± -		APVD		NAME	
1 PLC ± -		3-25-92		A. TRAVIS	
2 PLC ± 0.25 [.010]		PRODUCT SPEC		108-10033	
3 PLC ± -		APPLICATION SPEC		SIZE	
4 PLC ± -		FINISH		CAGE CODE	
ANGLES ± -		WEIGHT		DRAWING NO	
FINISH		A2		00779	
MATERIAL HOUSING: 1		CONTACT: SEE TABLE		RESTRICTED TO	
		CUSTOMER DRAWING		SCALE 4:1 SHEET 1 of 1 REV P	