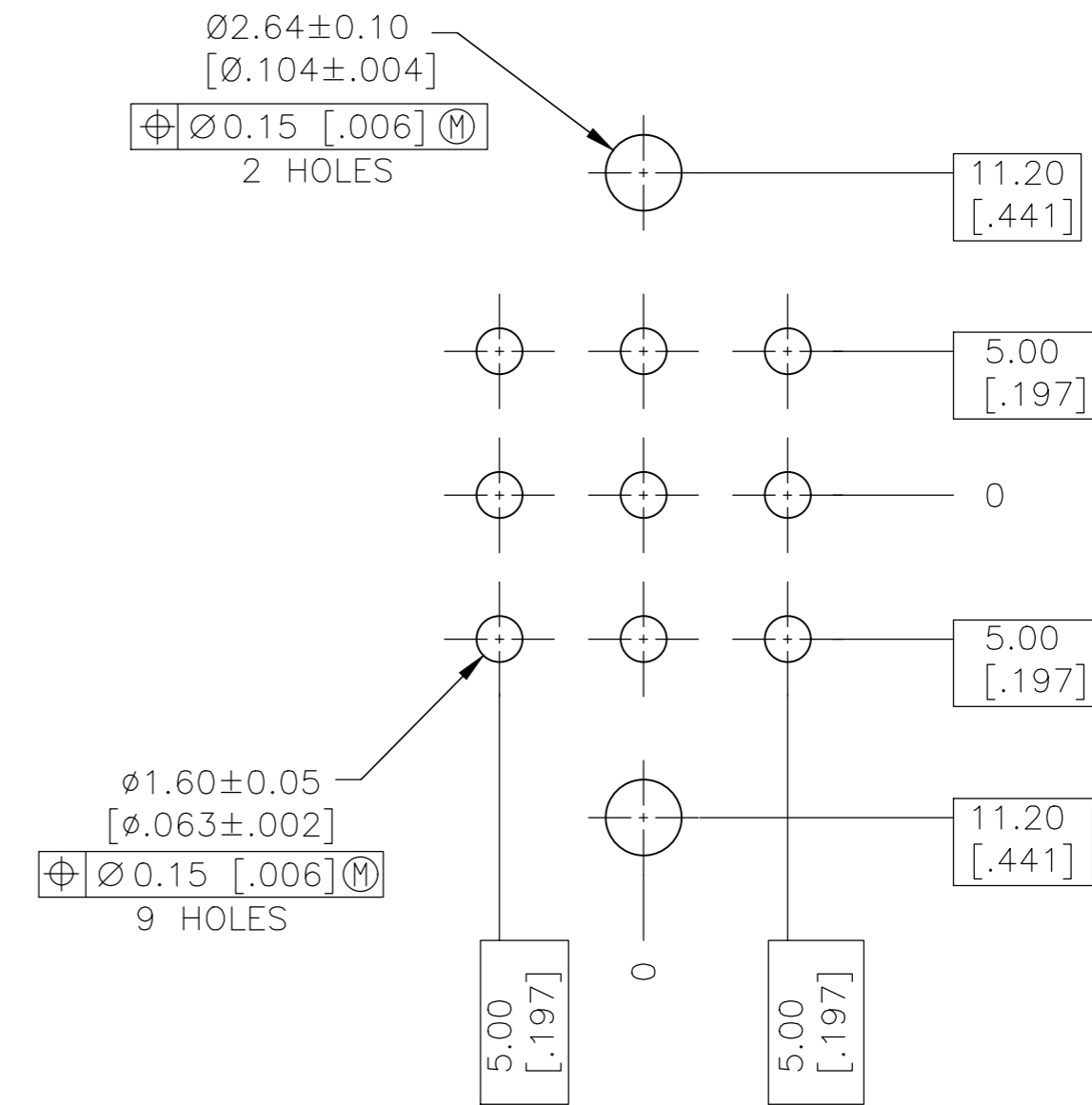
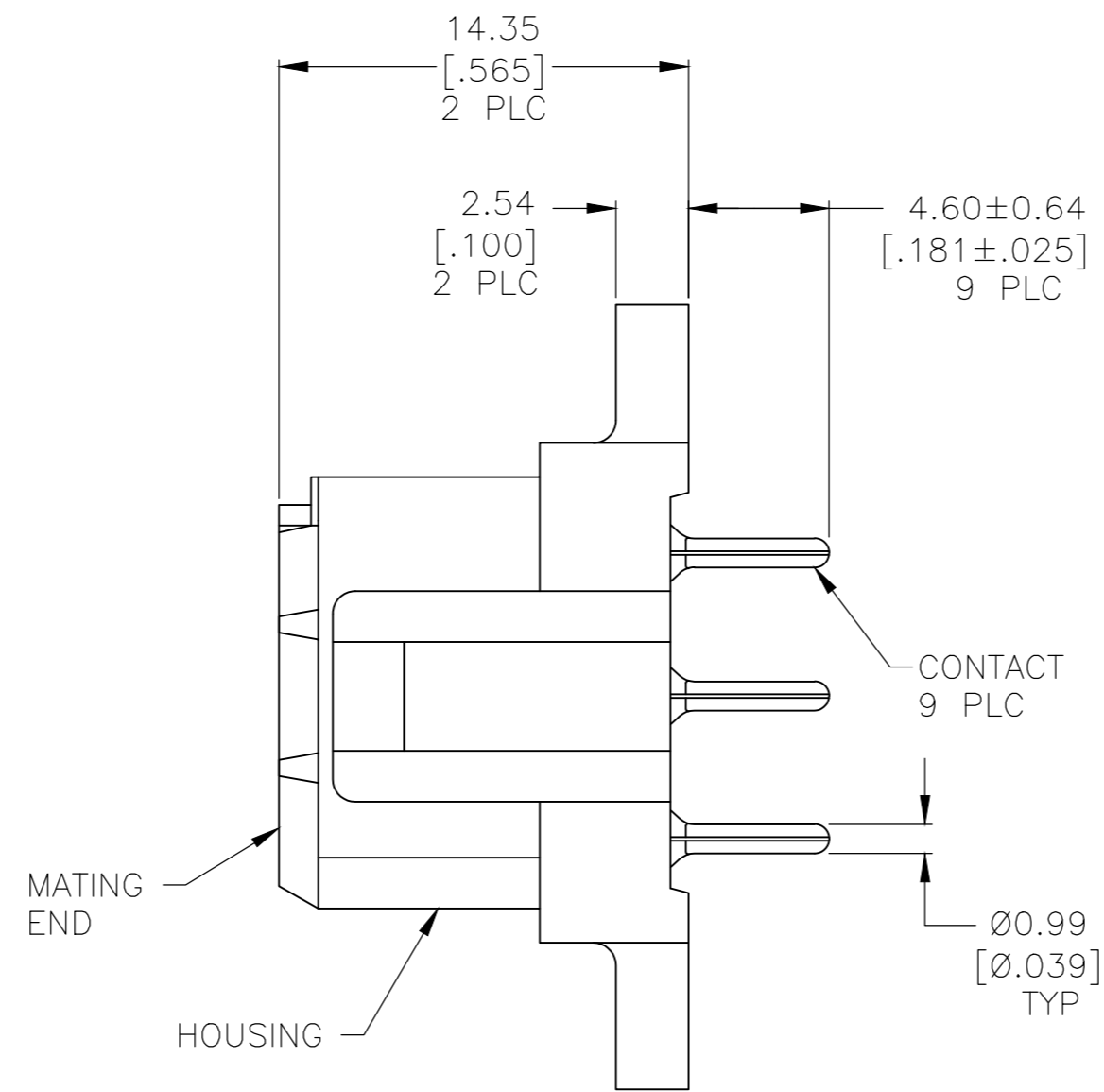
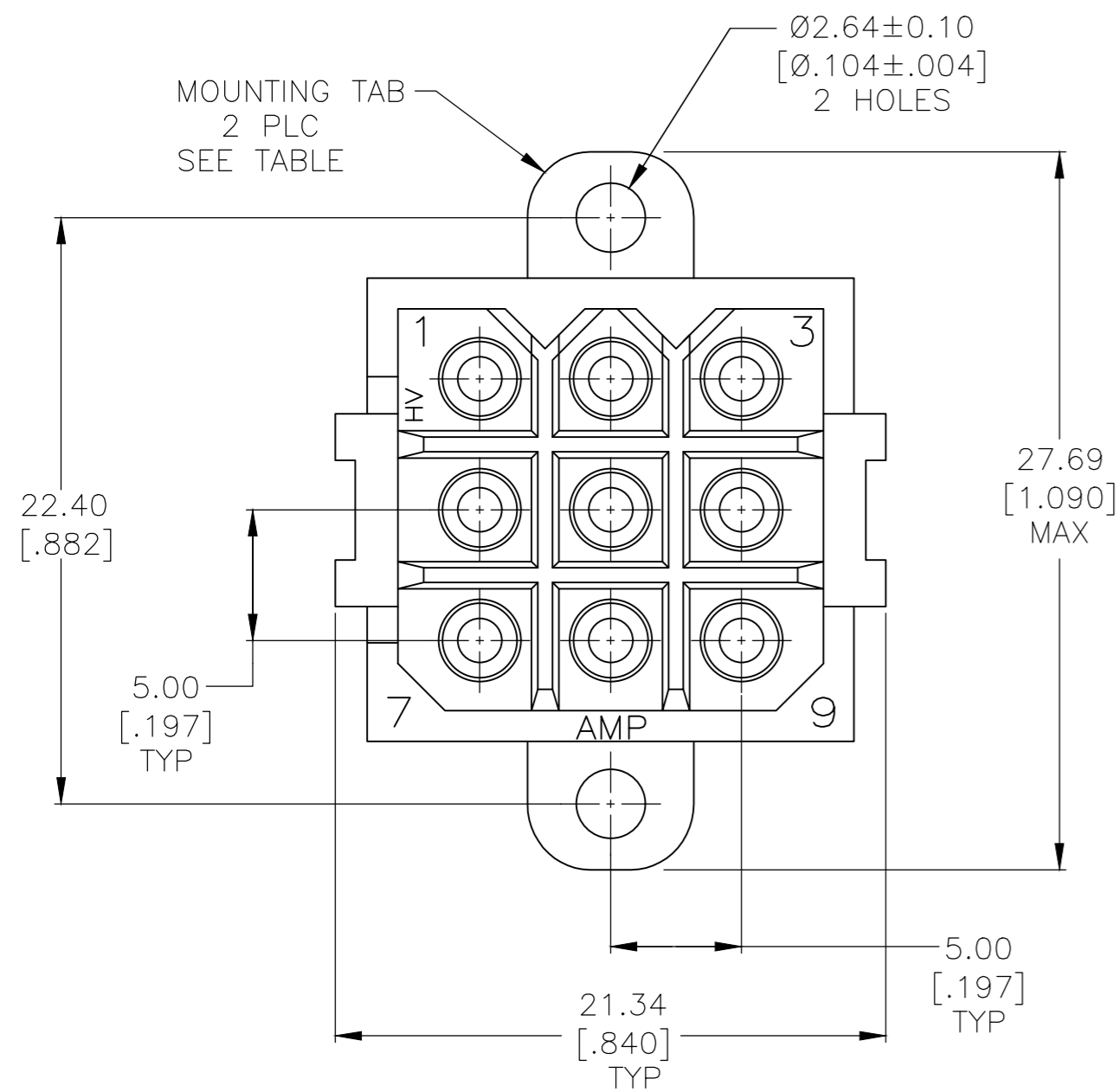


REVISIONS					
P	LTR	DESCRIPTION	DATE	DWN	APVD
P		REVISED PER ECO-17-011181	05AUG2017	RS	MZ
R		REVISED PER ECO-18-000441	24JAN2018	RS	MZ
S		REVISED PER ECO-20-002046	14FEB2020	RK	MZ



RECOMMENDED LAYOUT

- 1 HOUSING MATERIAL: PA66, BLACK, UL 94 V-0 RATED.
- 2 CONTACT MATERIAL: PHOSPHOR BRONZE.
- 3 3.81 μ m [.000150] MIN TIN-LEAD OVER 1.27 μ m [.000050] MIN NICKEL.
- 4 0.76 μ m [.000030] MIN GOLD FOR A LENGTH OF 4.95 [.195] MIN FROM MATING END, 3.81 μ m [.000150] MIN TIN-LEAD FOR A LENGTH OF 4.88 [.192] MIN ON OPPOSITE END, BOTH OVER 1.27 μ m [.000050] MIN NICKEL.
- 5 3.81 μ m [.000150] MIN TIN OVER 1.27 μ m [.000050] MIN NICKEL.
- 6 0.76 μ m [.000030] MIN GOLD FOR A LENGTH OF 4.95 [.195] MIN FROM MATING END, 3.81 μ m [.000150] MIN TIN FOR A LENGTH OF 4.88 [.192] MIN ON OPPOSITE END, BOTH OVER 1.27 μ m [.000050] MIN NICKEL.

6	NO	1-207526-0
6	YES	207526-9
5	NO	207526-8
5	YES	207526-7
4	NO	207526-4
4	YES	207526-3
3	NO	207526-2
3	YES	207526-1
CONTACT FINISH		MOUNTING TABS
PART NO		

THIS DRAWING IS A CONTROLLED DOCUMENT.		DWN	03/20/92	L.SIPE	
DIMENSIONS: mm [INCHES]		CHK	3-25-92	R.STONE	
TOLERANCES UNLESS OTHERWISE SPECIFIED:		APVD	-	NAME	
0 PLC \pm -		PRODUCT SPEC	-	108-10033	
1 PLC \pm -		APPLICATION SPEC	-	SIZE	A2
2 PLC \pm 0.25 [.010]		WEIGHT	-	CAGE CODE	00779
3 PLC \pm -		CUSTOMER DRAWING	-	DRAWING NO	C=207526
4 PLC \pm -		SCALE	4:1	SHEET	1 of 1
ANGLES \pm -		RESTRICTED TO	-	REV	S
CONTACT: SEE TABLE					