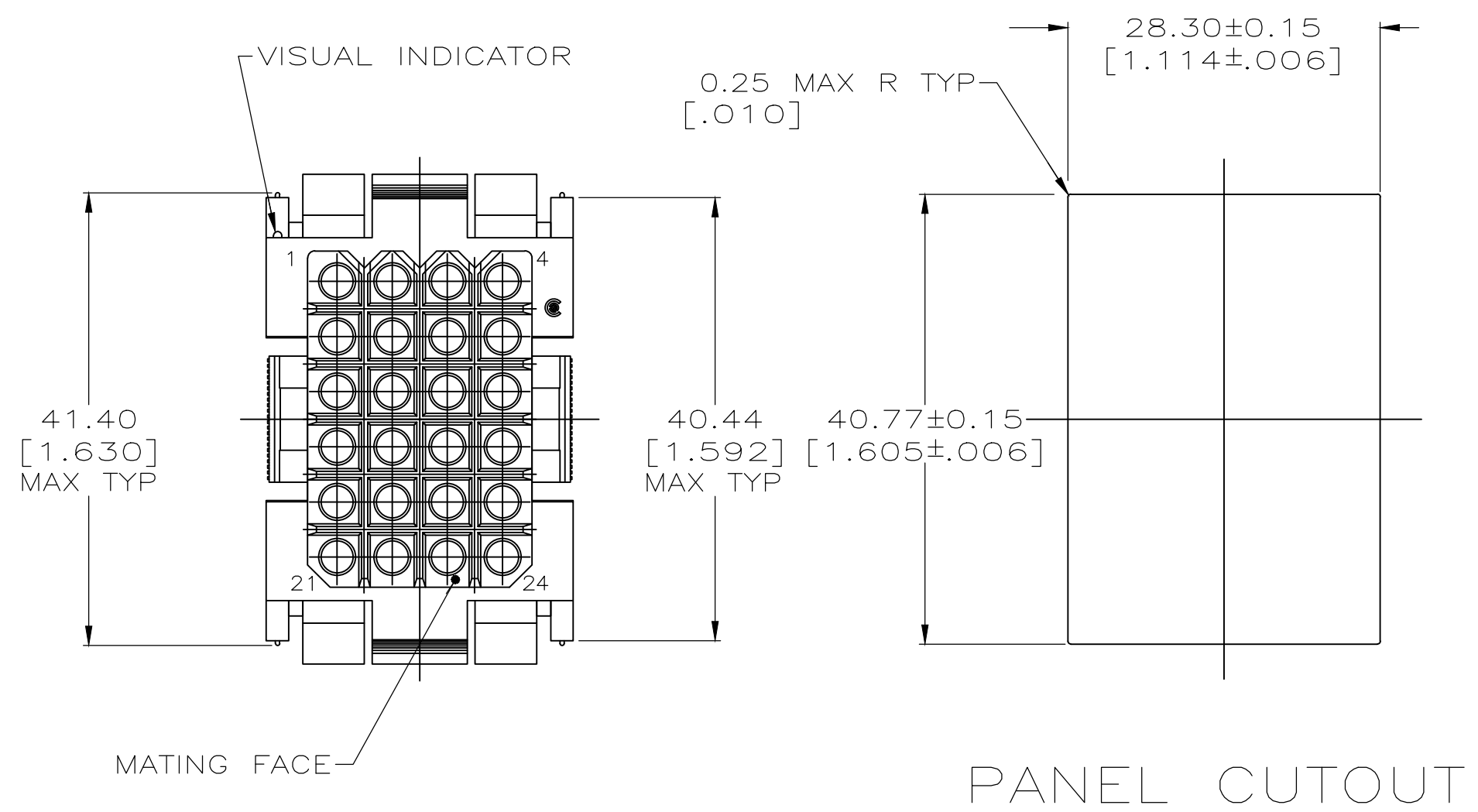
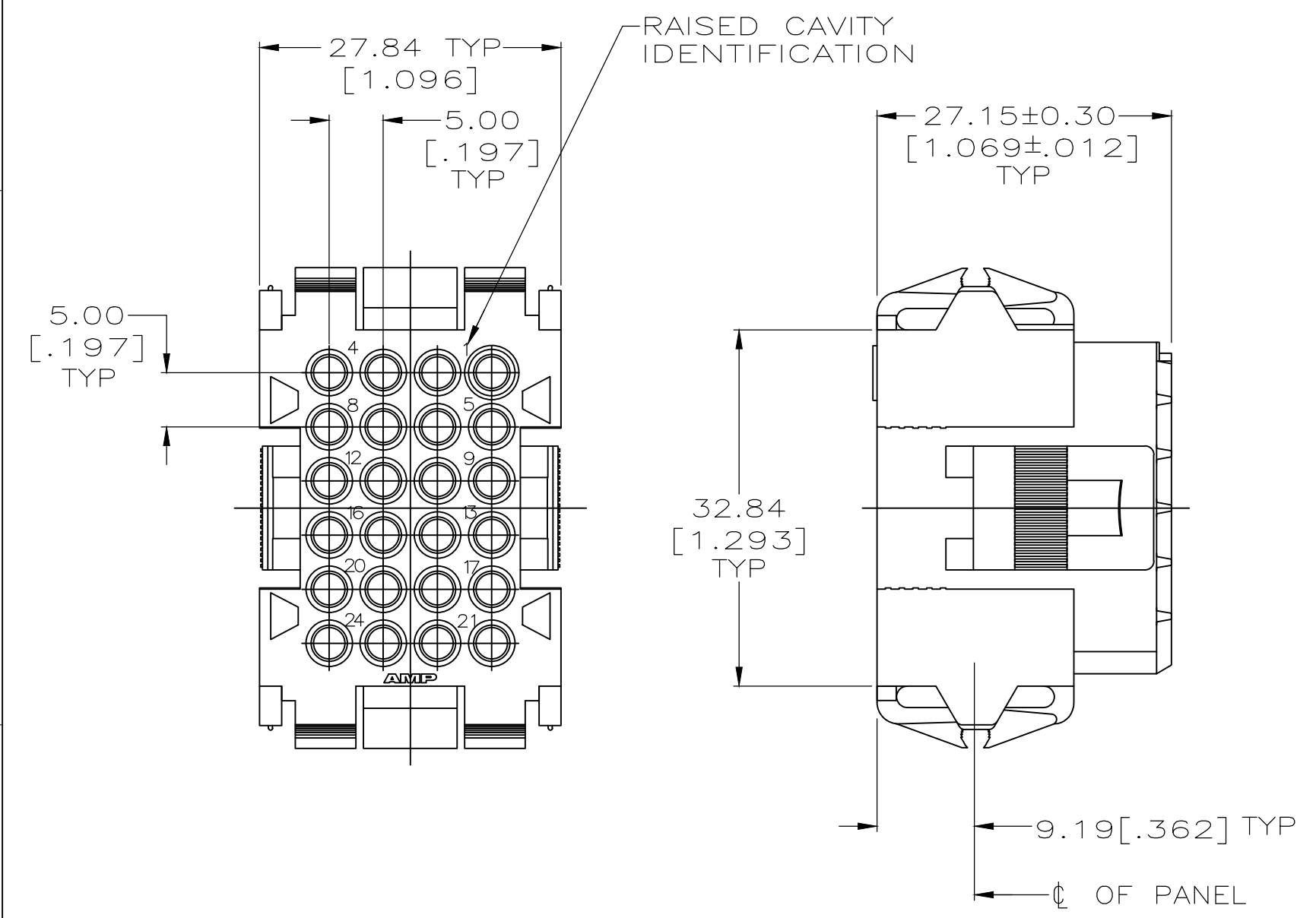


THIS DRAWING IS UNPUBLISHED. RELEASED FOR PUBLICATION
 © COPYRIGHT - TE Connectivity Ltd. ALL RIGHTS RESERVED.

REVISIONS				
P	LTR	DESCRIPTION	DATE	APVD
P		REVISED PER EC 0020-250-94	24MAR1994	AT
R		REVISED PER ECO-20-002227	19FEB2020	RK MZ



1. PANEL RETENTION MECHANISM ACCOMMODATES PANEL THICKNESSES FROM 0.76[.030] TO 2.29[.090].

2 HOUSING MATERIAL: PA66, BLACK, UL 94 V-0 RATED

207304-1
PART NUMBER

THIS DRAWING IS A CONTROLLED DOCUMENT.		DWN W.LENKER 08/26/92	STE TE Connectivity	
DIMENSIONS: mm [INCHES]		CHK R.STONE 8-31-92		
TOLERANCES UNLESS OTHERWISE SPECIFIED:		APVD A.TRAVIS 9-2-92	NAME HOUSING, PLUG, 24 POSITION, METRIMATE	
0 PLC ± -		PRODUCT SPEC 108-10033	SIZE A2	
1 PLC ± -		APPLICATION SPEC	CAGE CODE 00779	
2 PLC ± 0.25 [.010]		WEIGHT	DRAWING NO C-207304	
3 PLC ± -		RESTRICTED TO	SCALE 2:1	
4 PLC ± -			SHEET 1 of 1	
ANGLES ± -			REV R	
FINISH -				
MATERIAL 2		CUSTOMER DRAWING		