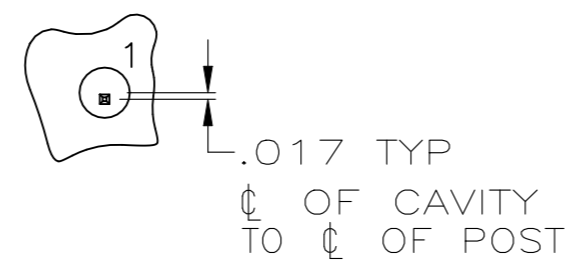
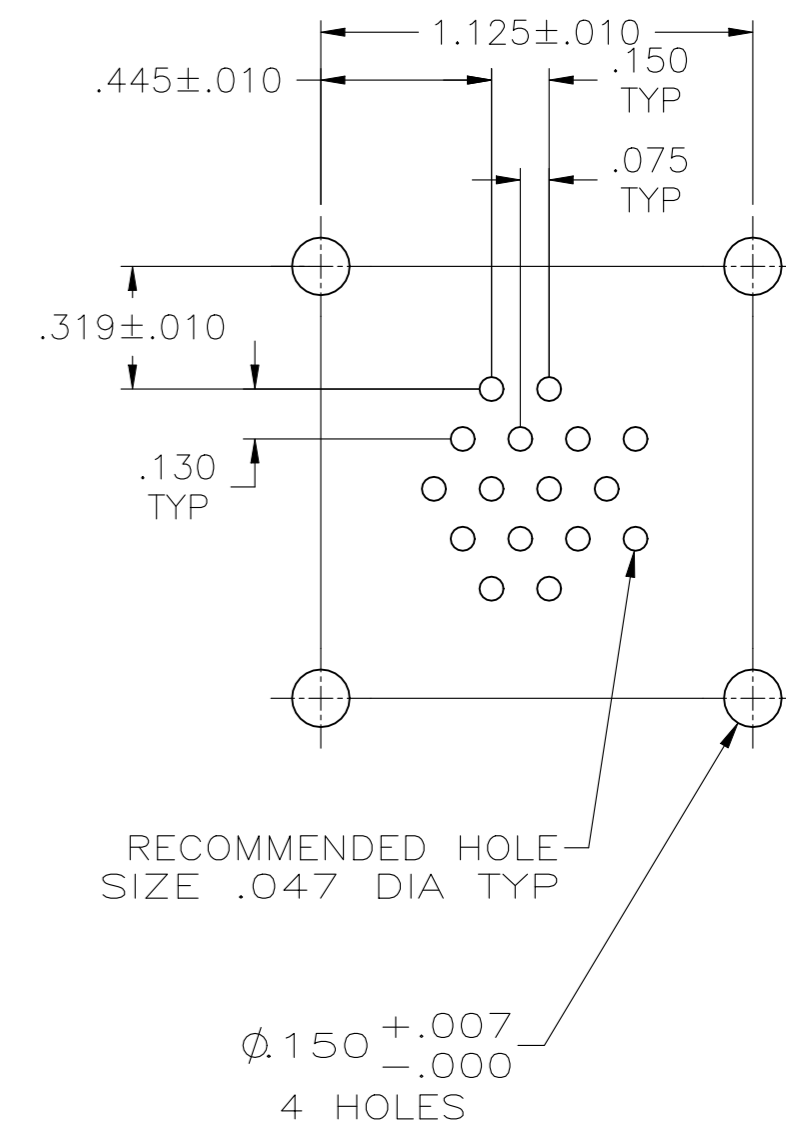
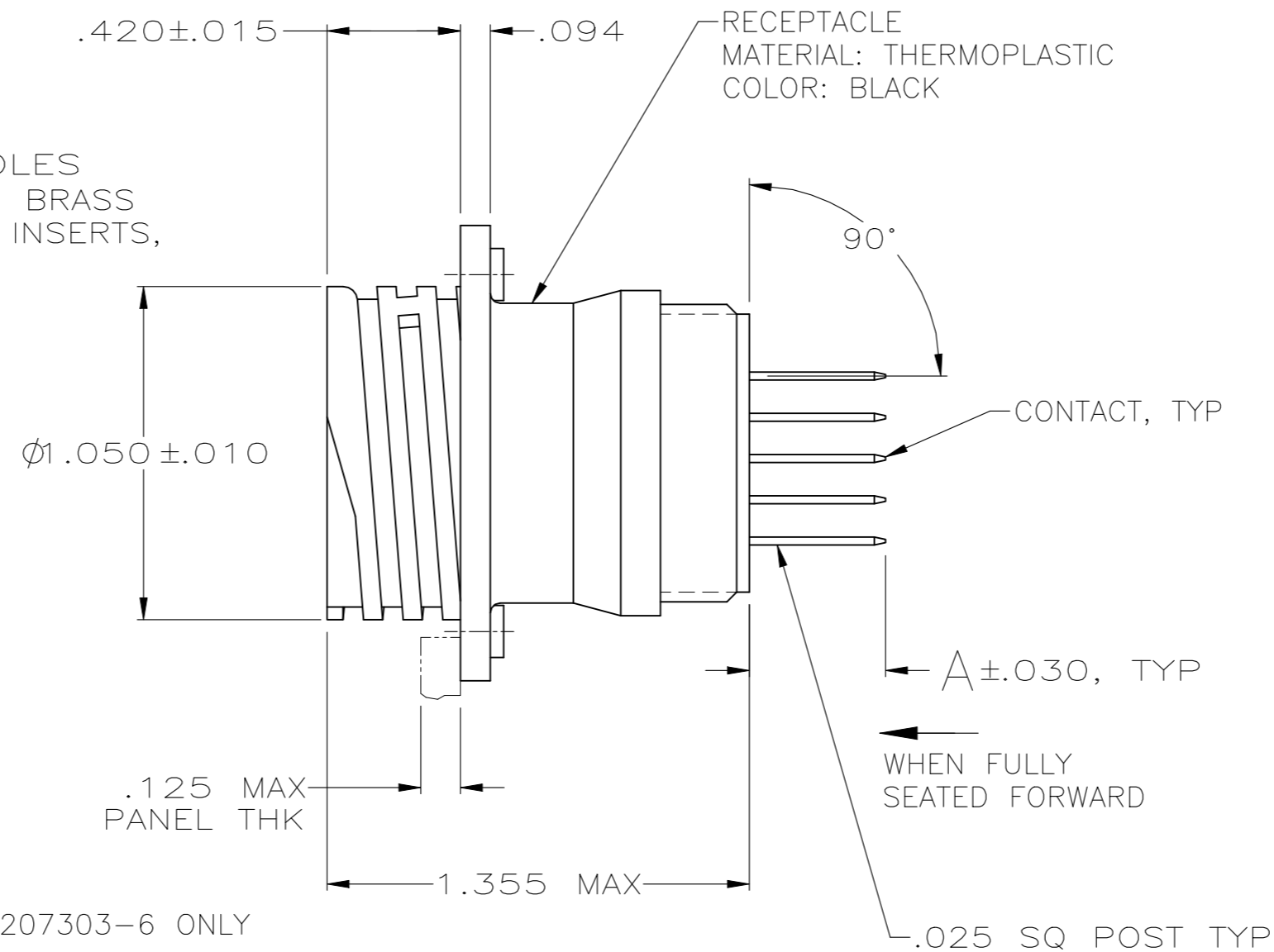
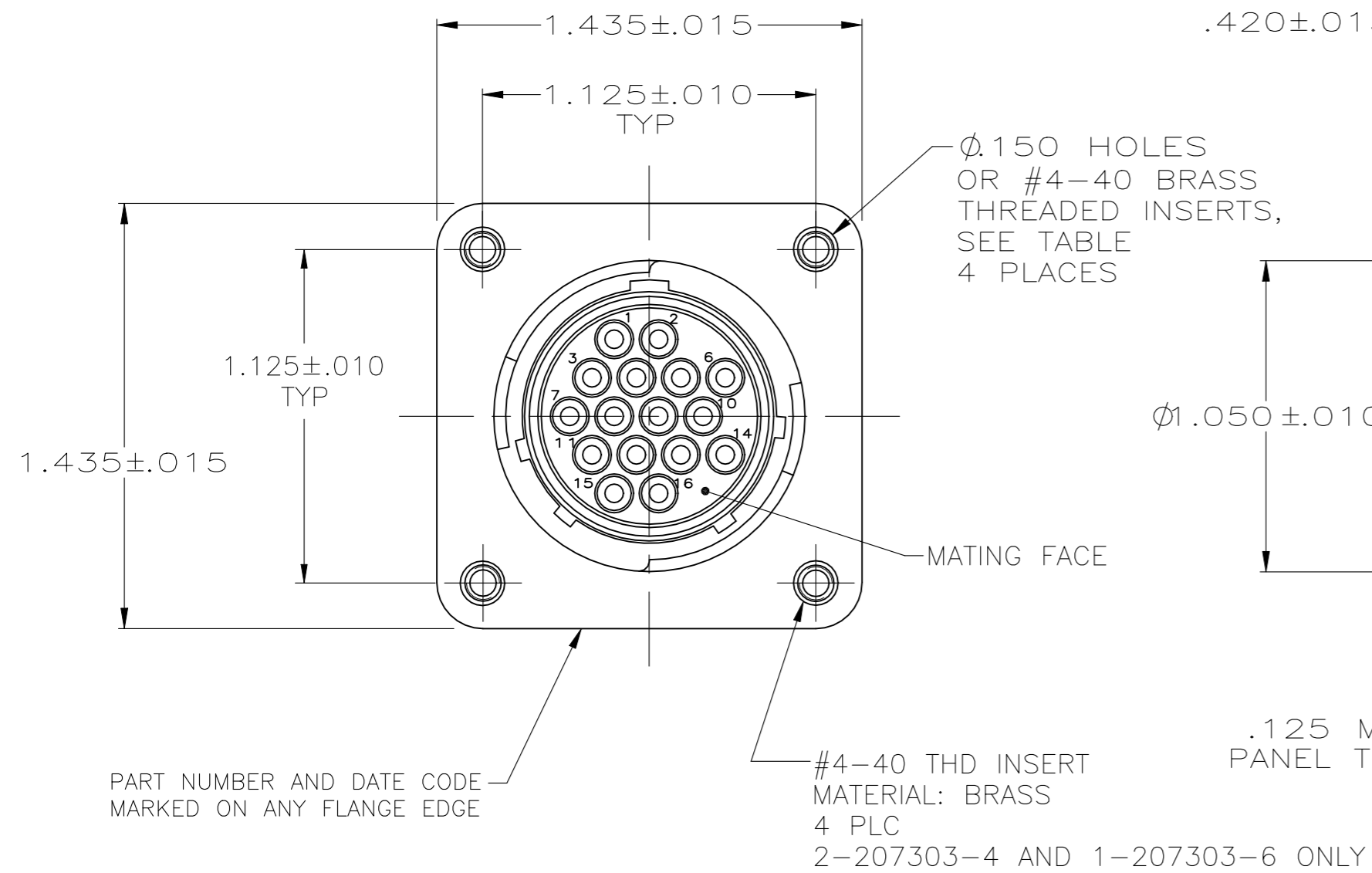
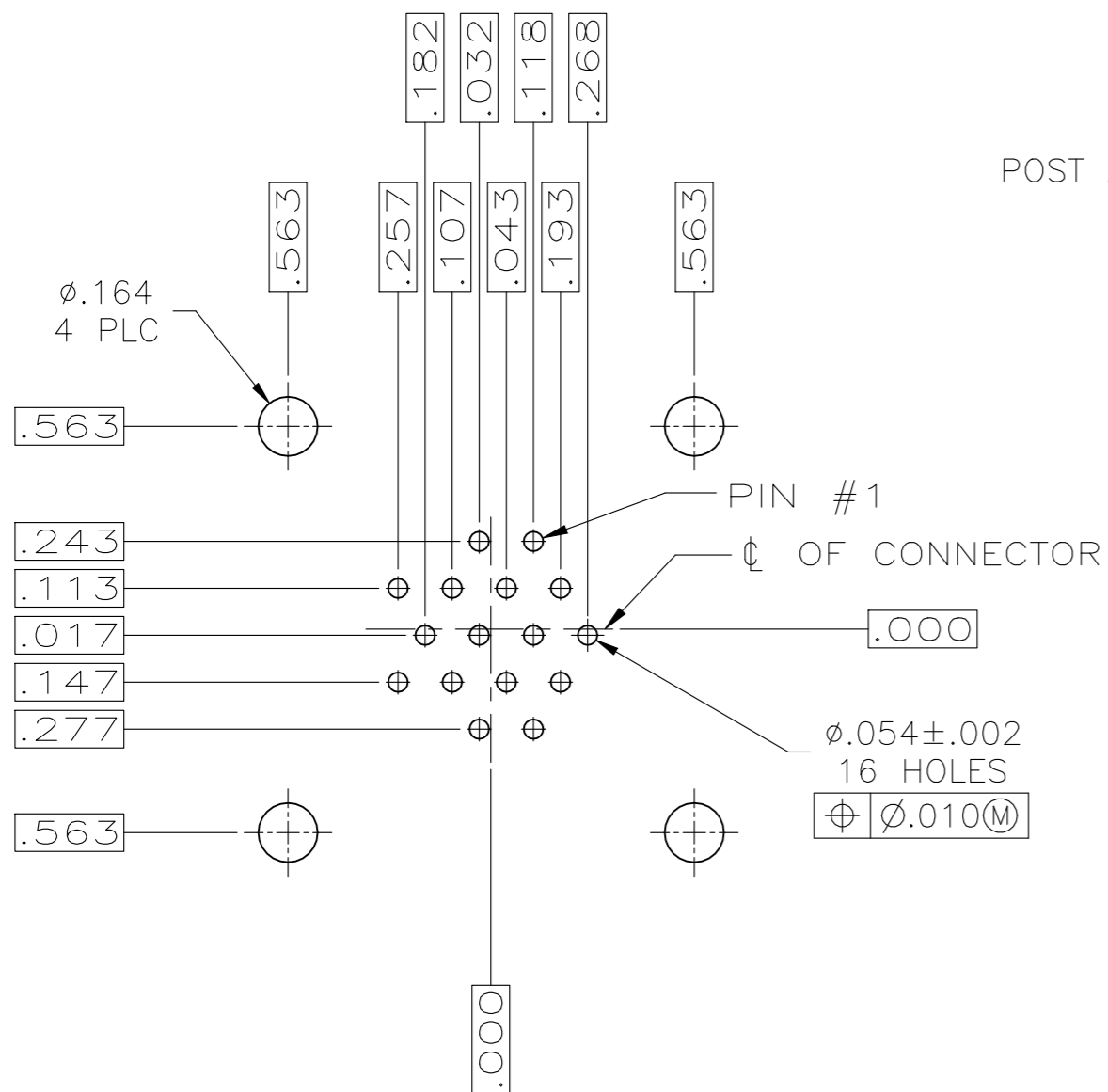


REVISIONS					
P	LTR	DESCRIPTION	DATE	DWN	APVD
V1		REVISED PER ECR-22-150475	26AUG2022	RK	MZ



POST ARRANGEMENT ON REAR FACE

- 1 CONNECTOR WILL ACCEPT POSTED TYPE III+ PIN CONTACTS.
- 2 OBSOLETE PARTS:
- 3 .000030 MIN PRECIOUS METAL PLATE ON MATING END FOR A LENGTH OF .200 MIN OVER .000050 MIN NICKEL PLATE. GOLD FLASH ALL OVER. CONFORMS TO THE REQUIREMENTS OF TE CONNECTIVITY PRODUCT SPEC 108-10042, BASED ON EIA/ECA-364-1000.01A (CONTROLLED ENVIRONMENTAL APPLICATIONS.)



RECOMMENDED P.C. BOARD LAYOUT BOTTOM NON-COMPONENT SIDE

OBSOLETE	NO	YES	TIN	3	.130	1-207303-7
	NO	YES	TIN	3	.119	1-207303-6
	NO	NO	TIN	TIN	.220	1-207303-5
	NO	YES	TIN	3	.220	1-207303-4
	NO	NO	TIN	3	.220	1-207303-3
OBSOLETE	YES	NO	TIN-LEAD	3	.220	1-207303-2
2 SUPERSEDED BY 1-207303-4	NO	YES	TIN-LEAD	GOLD	.220	1-207303-1
OBSOLETE	NO	NO	TIN-LEAD	3	.220	207303-3
OBSOLETE	NO	NO	TIN-LEAD	TIN	.220	207303-1
PERIPHERAL SEAL	THREADED INSERTS	CONTACT POST FINISH	CONTACT BODY FINISH	A	PART NUMBER	

THIS DRAWING IS A CONTROLLED DOCUMENT.

DWN R.LEE BG 7-2-91

CHK W.G.LENKER 4-14-92

APVD -

NAME -

PRODUCT SPEC 108-10024

APPLICATION SPEC -

WEIGHT -

CUSTOMER DRAWING

SCALE 2:1

SHEET 1 OF 1

REV V1

TE Connectivity

RECEPTACLE ASSEMBLY, POSTED, STD SEX, SERIES 1, 17-16, CPC

SIZE A2

CAGE CODE 00779

DRAWING NO C=207303

RESTRICTED TO -