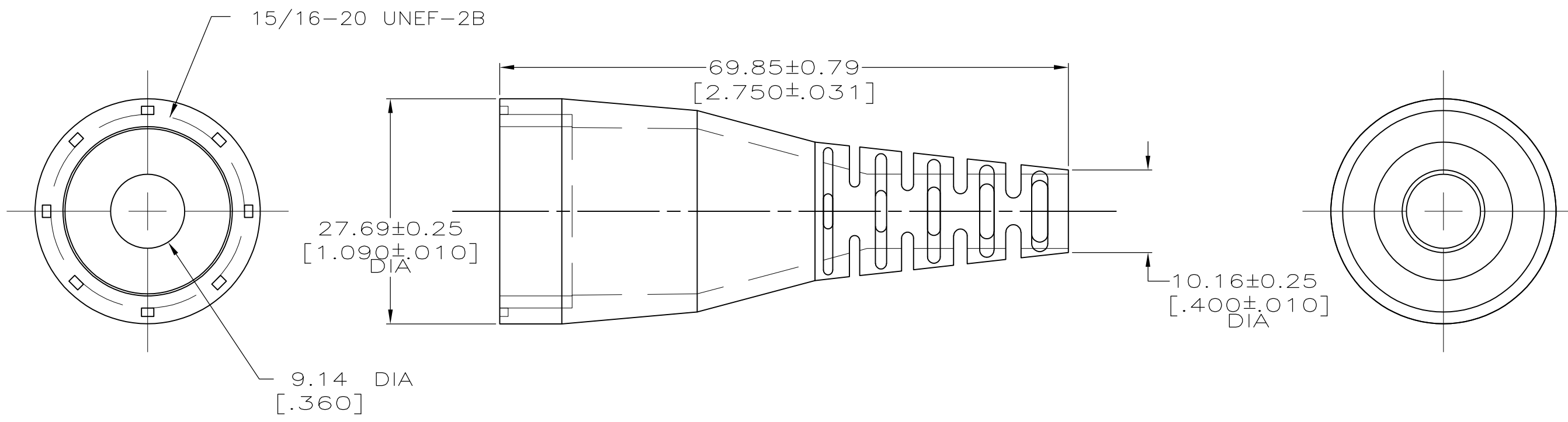


THIS DRAWING IS UNPUBLISHED. RELEASED FOR PUBLICATION  
 © COPYRIGHT - By - ALL RIGHTS RESERVED.

MOD	LOC	DIST	REVISIONS			
P	LTR	DESCRIPTION	DATE	DWN	APVD	
4	BD	35	C1	REVISD PER ECO-11-005027	11MAR11	RK HMR



1. CABLE RANGE 5.08 [.200] - 6.35 [.250] WHEN USED WITH GRIPPER P/N 207387-1.
2. CABLE RANGE 6.35 [.250] - 8.89 [.350] WHEN USED WITH GRIPPER P/N 207387-2 OR 207387-4.

207241-1  
PART NO

THIS DRAWING IS A CONTROLLED DOCUMENT.		DWN M.BINNER 07/29/94	TE Connectivity													
DIMENSIONS: mm [INCHES]		CHK R.STONE 8-8-94														
TOLERANCES UNLESS OTHERWISE SPECIFIED:		APVD A.FRANTUM 8-9-94	NAME CABLE BOOT, FLEXIBLE, SIZE 17, CPC													
<table border="0"> <tr><td>0 PLC</td><td>± -</td></tr> <tr><td>1 PLC</td><td>± -</td></tr> <tr><td>2 PLC</td><td>± 0.13 [.005]</td></tr> <tr><td>3 PLC</td><td>± -</td></tr> <tr><td>4 PLC</td><td>± -</td></tr> <tr><td>ANGLES</td><td>± -</td></tr> </table>		0 PLC	± -	1 PLC	± -	2 PLC	± 0.13 [.005]	3 PLC	± -	4 PLC	± -	ANGLES	± -	PRODUCT SPEC -	RESTRICTED TO -	
0 PLC	± -															
1 PLC	± -															
2 PLC	± 0.13 [.005]															
3 PLC	± -															
4 PLC	± -															
ANGLES	± -															
MATERIAL THERMOPLASTIC COLOR: BLACK	FINISH -	APPLICATION SPEC -	WEIGHT -	SIZE A3												
CUSTOMER DRAWING			CAGE CODE 00779	DRAWING NO C-207241												
			SCALE 2:1	SHEET 1 of 1												
			REV C1													