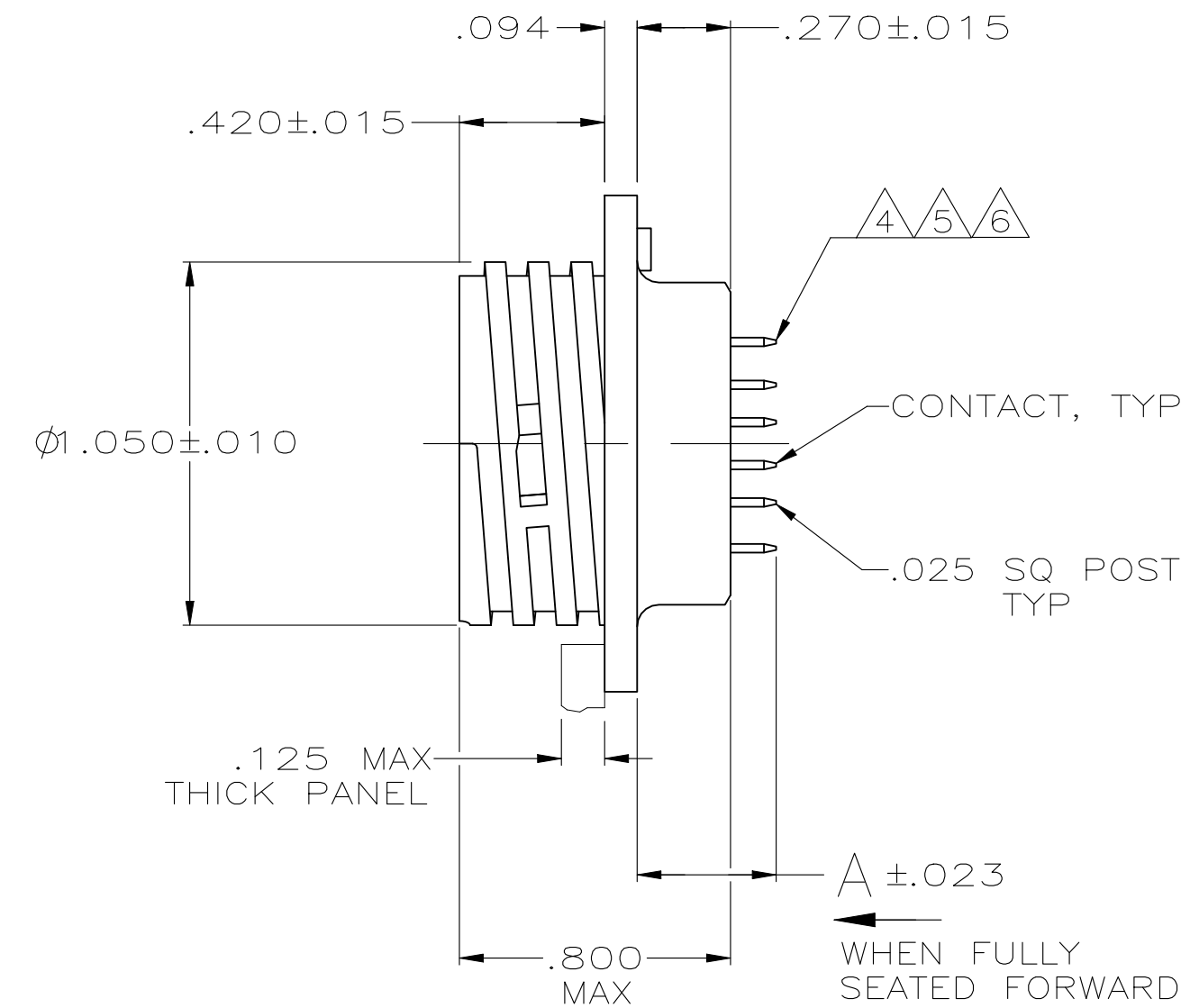
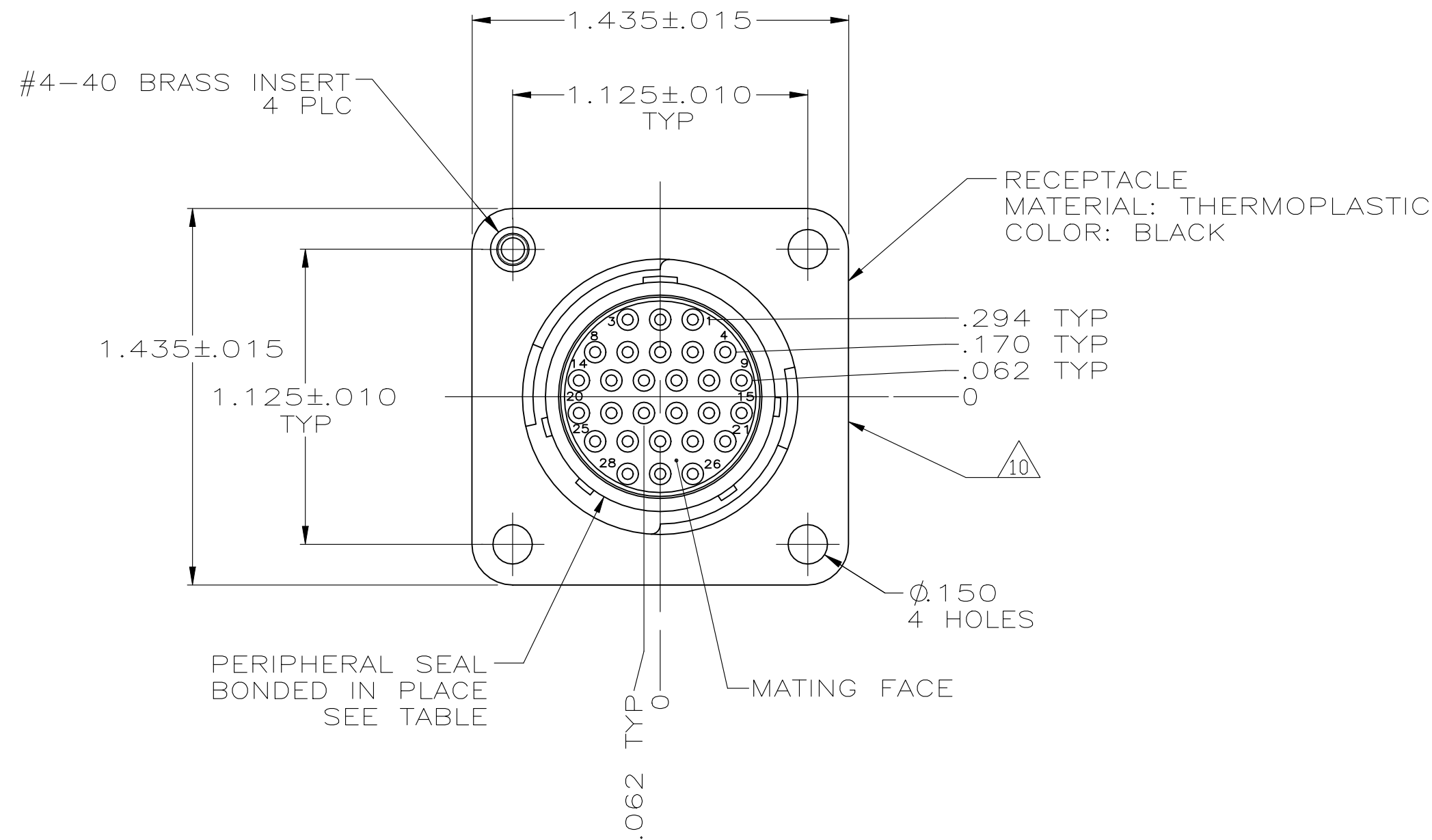


REVISIONS					
P	LTR	DESCRIPTION	DATE	DWN	APVD
AH1		REVISED PER ECN-23-205702	12JUL2023	RK	MZ



1 CONTACT CAVITIES IDENTIFIED BY CHARACTERS ON FRONT AND REAR FACE OF CONNECTOR.

2 GOLD FLASH ON MATING AREA, .000100 MIN TIN-LEAD ON SOLDER AREA, .000050 MIN NICKEL UNDERPLATE ALL OVER

3 .000030 MIN GOLD ON MATING AREA, .000100 MIN TIN-LEAD ON SOLDER AREA, .000050 MIN NICKEL UNDERPLATE ALL OVER

4 CONTACTS TO BE SELECTIVELY LOADED INTO POSITIONS 1, 3, 4, 8, 14, 15, 21, 25, 26, 27 AND 28; FOR -1 ONLY.

5 CONNECTOR TO BE FULLY LOADED FOR -2, -3, -6, AND -8.

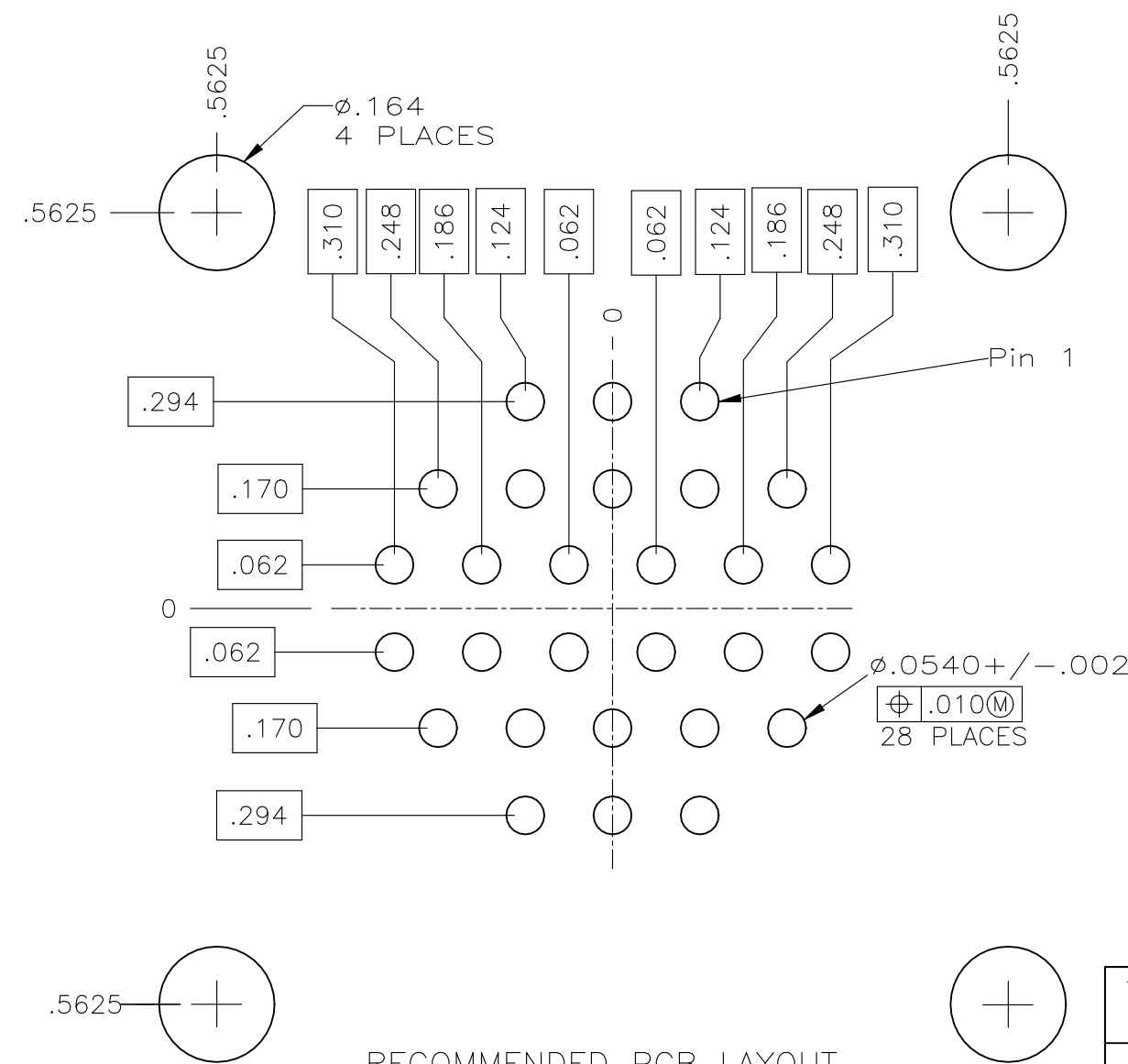
6 CONTACTS TO BE SELECTIVELY LOADED INTO POSITIONS 1 THRU 27; FOR -9 ONLY.

7 .000030 MIN GOLD ON MATING AREA, .000100 MIN TIN ON SOLDER AREA, .000050 MIN NICKEL UNDERPLATE ALL OVER

8 GOLD FLASH ON MATING AREA, .000100 MIN TIN ON SOLDER AREA, .000050 MIN NICKEL UNDERPLATE ALL OVER

9 OBSOLETE PARTS: OBSOLETE CIS STREAMLINING PER D.RENAUD/D.SINISI

10 TE LOGO AND PART NUMBER LOCATED ON ANY FLANGE EDGE



RECOMMENDED PCB LAYOUT
SCALE 4:1

OBSOLETE	NO	YES	8	.851	-2-207216-1
9	NO	YES	8	.402	-2-207216-0
OBSOLETE	NO	YES	8	.402	-1-207216-9
OBSOLETE	YES	NO	8	.851	-1-207216-8
	NO	NO	7	.629	1-207216-7
	NO	NO	8	.402	1-207216-6
9	NO	NO	7	.629	-1-207216-4
OBSOLETE	NO	YES	3	.629	-1-207216-3
OBSOLETE	NO	YES	3	.851	-1-207216-2
9	NO	YES	2	.402	-1-207216-1
OBSOLETE	NO	YES	2	.402	-1-207216-0
OBSOLETE	YES	NO	2	.851	-207216-9
OBSOLETE	NO	NO	3	.629	207216-8
OBSOLETE	NO	YES	3	.629	-207216-6
OBSOLETE	NO	YES	2	.402	-207216-3
OBSOLETE	NO	NO	2	.402	207216-2
OBSOLETE	NO	NO	2	.402	-207216-1

SEAL	THREADED INSERT	CONTACT FINISH	A	PART NUMBER

THIS DRAWING IS A CONTROLLED DOCUMENT.

DWN	J. GALLUCCI BG	5-22-91
CHK	W.G. LENKER	4-14-92
APVD	K. BEAVER	4-14-92
PRODUCT SPEC	108-10024	
APPLICATION SPEC		

TE Connectivity

RECEPTACLE ASSEMBLY, POSTED, RVS SEX, 17-28, SERIES 2, CPC

SIZE	A2	CAGE CODE	00779	DRAWING NO	C=207216	RESTRICTED TO	-
MATERIAL	SEE CALLOUT	FINISH	SEE TABLE	WEIGHT	-	SCALE	2:1
CUSTOMER DRAWING				SHEET	1 OF 1	REV	AH1