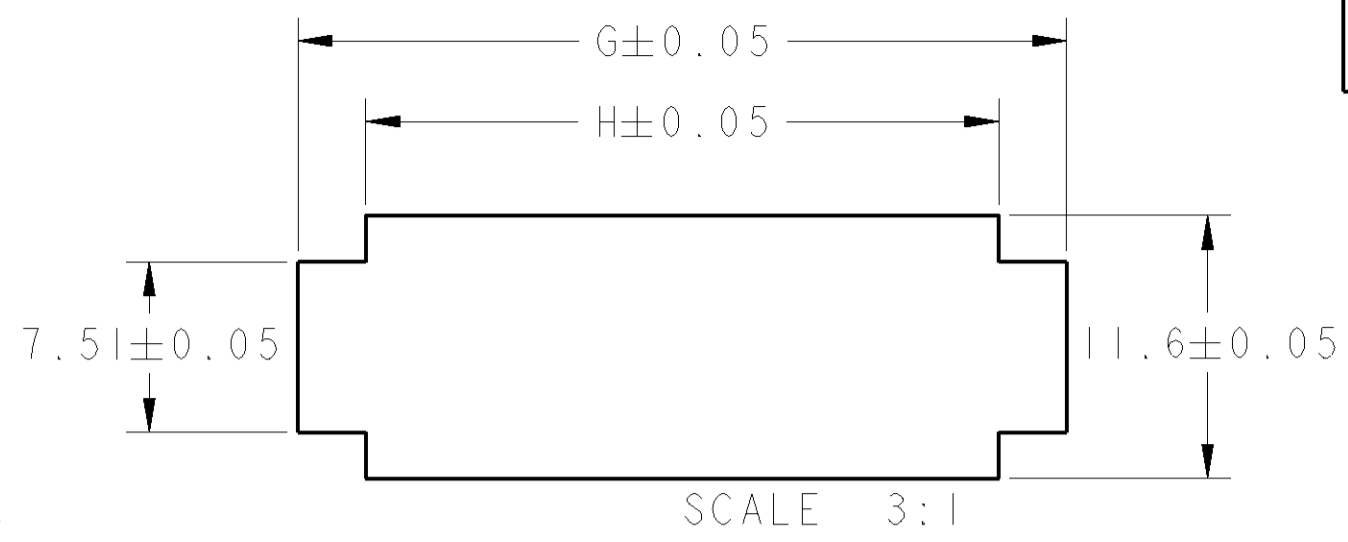
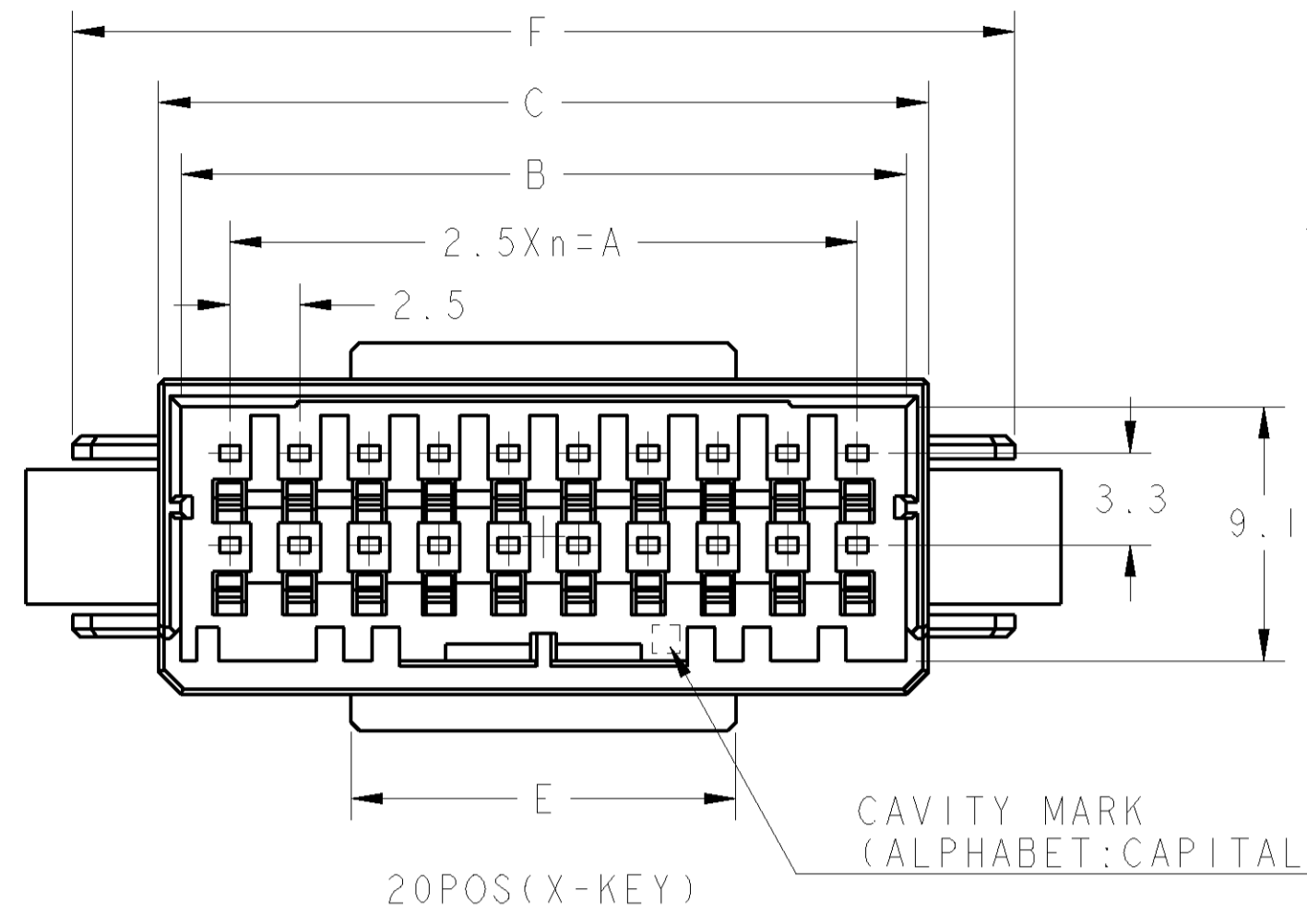


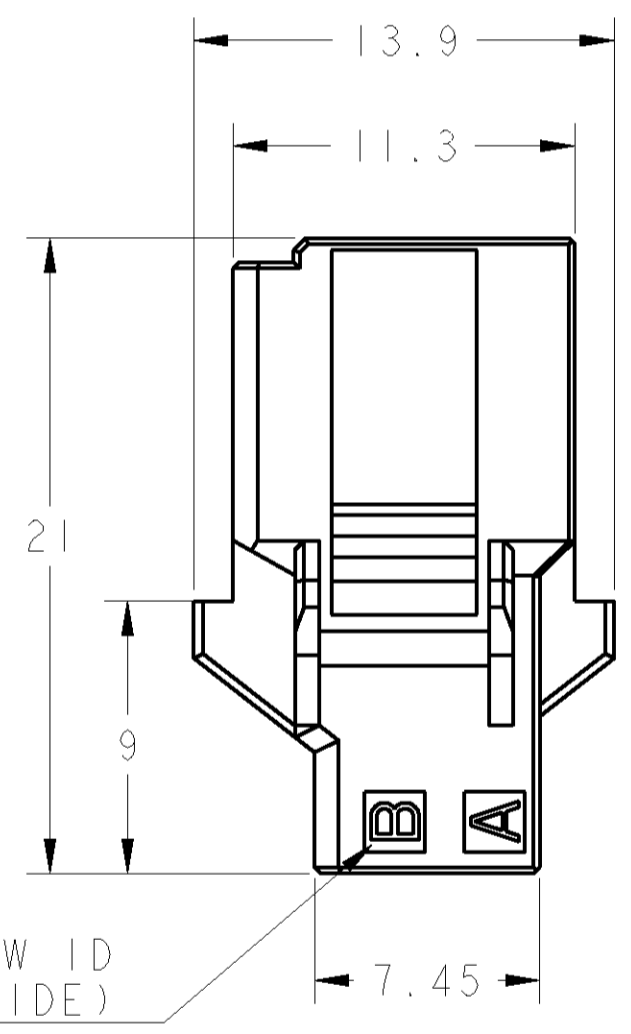
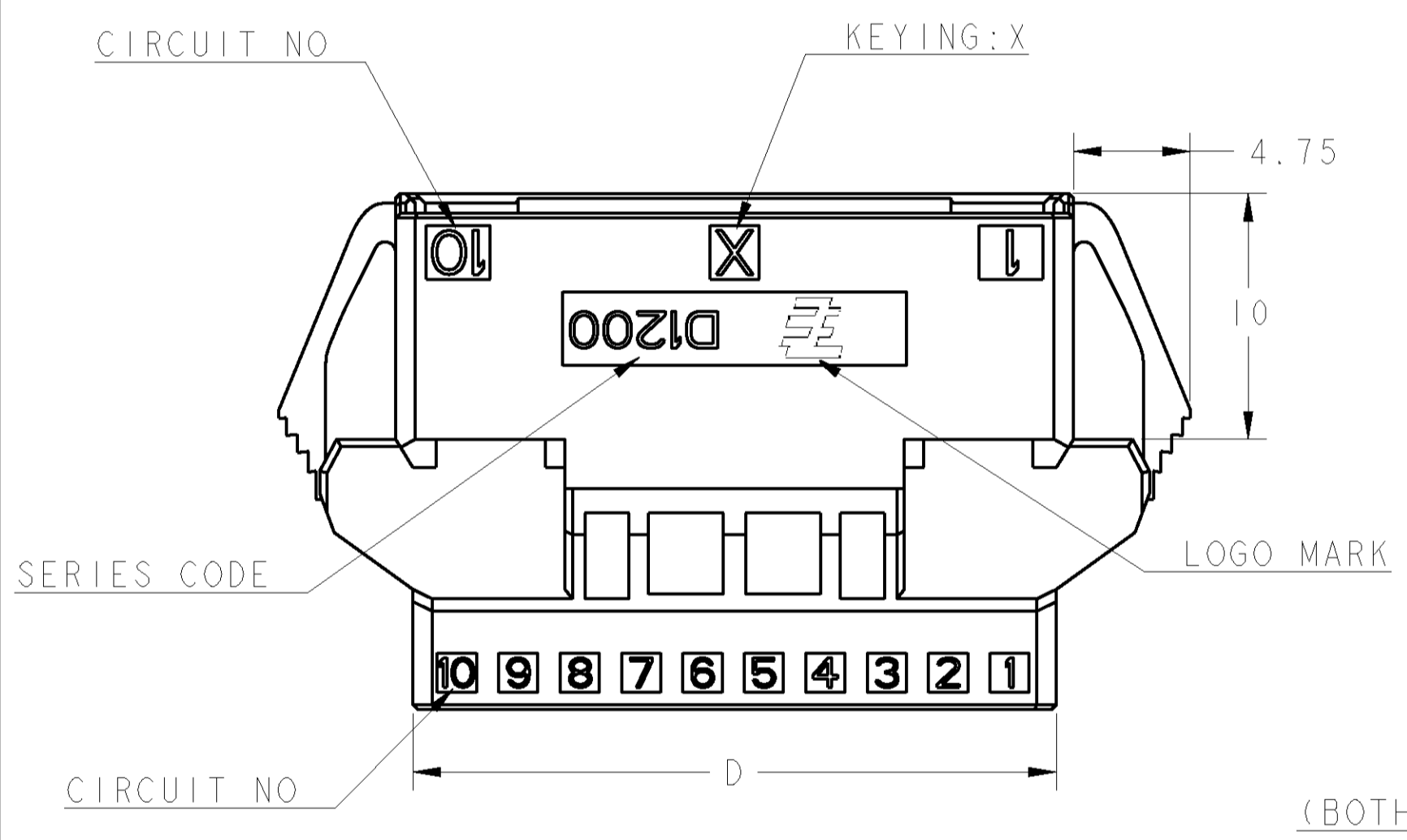
REVISONS					
REV	DESCRIPTION	ECN	DATE	DWN	APVD
B	REVISED PER ECR-10-007266	-	20APR10	HMR	TM



RECOMMENDED PANEL LAYOUT
 (APPLICABLE PANEL THICKNESS :
 0.8, 1.0, 1.6, 2.0)
 パネル加工推奨寸法図
 (適用パネル厚 : 0.8, 1.0, 1.6, 2.0)

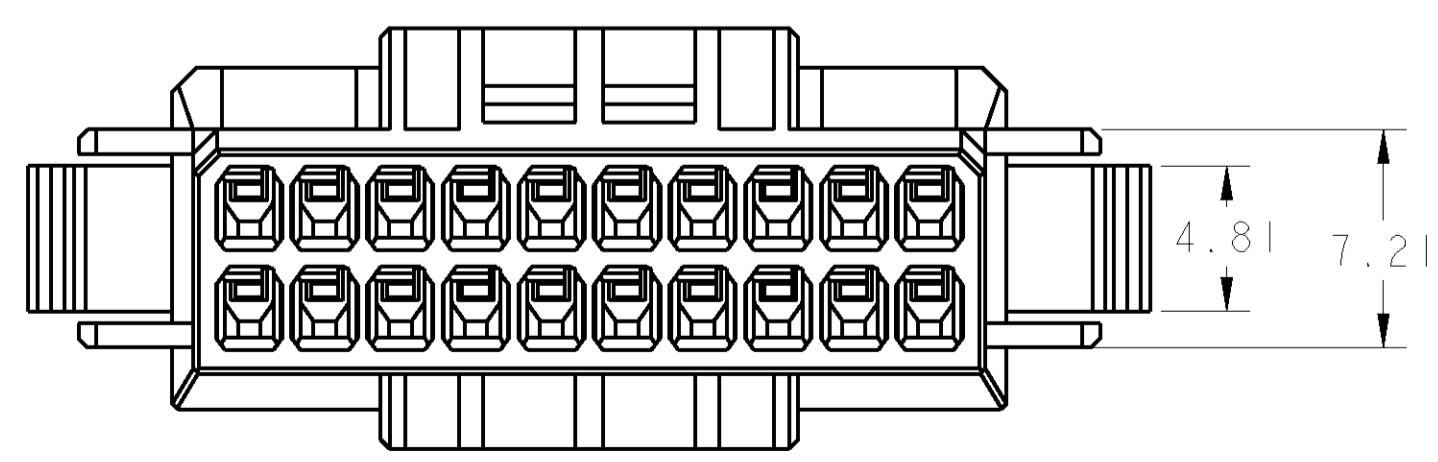
- MATERIAL: GLASS FILED THERMO PLASTIC POLYESTER(94V-0)
 - THE SHAPE, SIZE AND POSITION OF THE CHARACTER SHOW THE OUTLINE. THEY DON'T SHOW DETAILS.
 - THE KEYING ARRANGEMENT OF "Y" IS SYMMETRIC WITH "X".
1. 材料: ガラス入り熱可塑性ポリエステル樹脂(94V-0)
 2. 文字の形状、大きさ、および位置については、大略を示すものであり、詳細を示すものではありません。
 3. Y KEY形状は、X KEY形状と左右対称

AS SHOWN 20POS(X-KEY)



- 1-2069829-□ : NATURAL (X-KEY)
- 2-2069829-□ : NATURAL (Y-KEY)
- 3-2069829-□ : YELLOW (X-KEY)
- 4-2069829-□ : YELLOW (Y-KEY)

POS	KEY	n	A	B	C	D	E	F	G	H	PART NO
20	Y	9	22.5	26.0	27.6	26.2	13.80	33.78	33.9	27.9	—//—
20	X	9	22.5	26.0	27.6	26.2	13.80	33.78	33.9	27.9	—//—
12	Y	5	12.5	16.0	17.6	16.2	8.80	23.78	23.9	17.9	—//—
12	X	5	12.5	16.0	17.6	16.2	8.80	23.78	23.9	17.9	—//—
8	Y	3	7.5	11.0	12.6	11.2	6.30	18.78	18.9	12.9	4-2069829-4 (YELLOW)
8	X	3	7.5	11.0	12.6	11.2	6.30	18.78	18.9	12.9	3-2069829-4 (YELLOW)
8	Y	3	7.5	11.0	12.6	11.2	6.30	18.78	18.9	12.9	2-2069829-4 (NATURAL)
8	X	3	7.5	11.0	12.6	11.2	6.30	18.78	18.9	12.9	1-2069829-4 (NATURAL)
6	Y	2	5.0	8.5	10.1	8.7	5.05	16.28	16.4	10.4	4-2069829-3 (YELLOW)
6	X	2	5.0	8.5	10.1	8.7	5.05	16.28	16.4	10.4	3-2069829-3 (YELLOW)
6	Y	2	5.0	8.5	10.1	8.7	5.05	16.28	16.4	10.4	2-2069829-3 (NATURAL)
6	X	2	5.0	8.5	10.1	8.7	5.05	16.28	16.4	10.4	1-2069829-3 (NATURAL)
4	X	1	2.5	6.0	7.6	6.2	3.80	13.78	13.9	7.9	—//—



THIS DRAWING IS A CONTROLLED DOCUMENT FOR TYCO ELECTRONICS CORPORATION. IT IS SUBJECT TO CHANGE AND THE CONTROLLING ENGINEERING ORGANIZATION SHOULD BE CONTACTED FOR THE LATEST REVISION.

DWN: S. INOMATA 04DEC2008
 CHK: T. SAKAMOTO 04DEC2008
 APVD: A. OOLSHI 04DEC2008

Tyco Electronics
 Kawasaki, Japan

NAME: DYNAMIC DI200D 2.5mm PITCH
 TAB HSG (PANEL MOUNT TYPE)
 COLOR 4-20POS

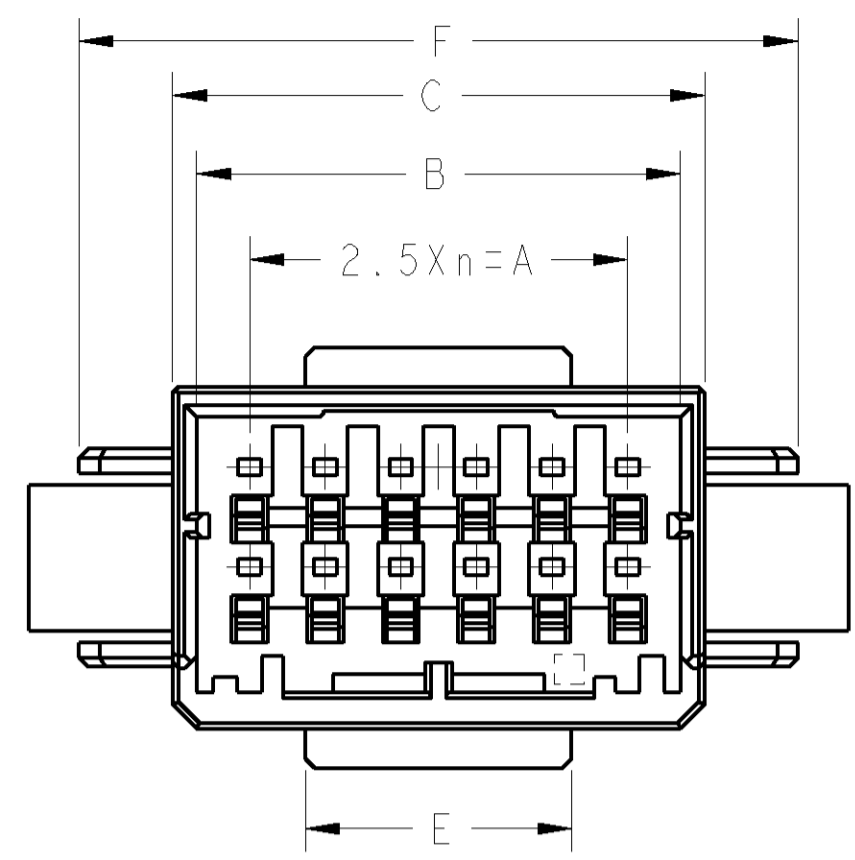
SIZE: A2 CAGE CODE: 00779 DRAWING NO: 2069829 RESTRICTED TO: -

SCALE: 4:1 SHEET 1 OF 2 REV B

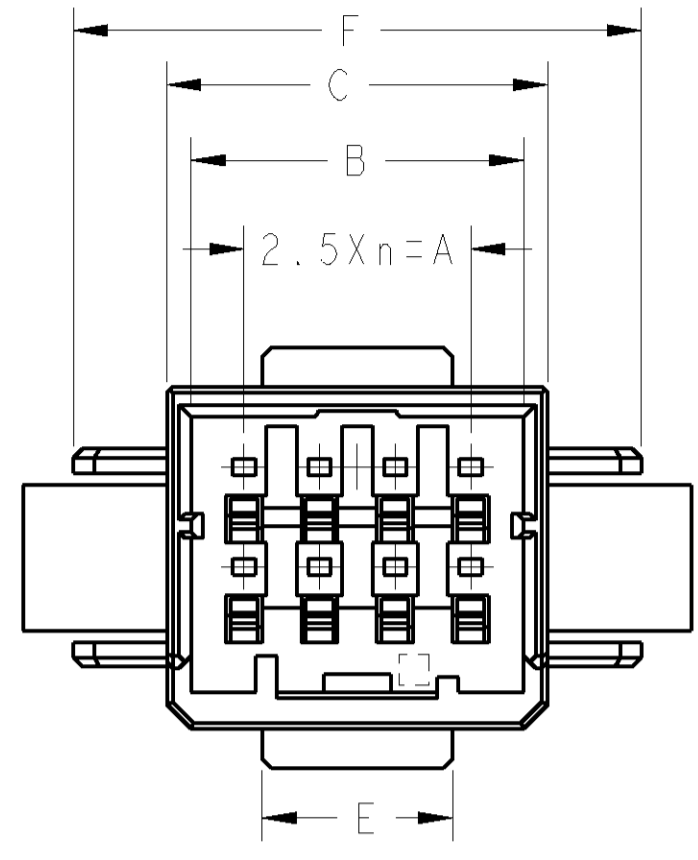
CUSTOMER DRAWING

THIS DRAWING IS UNPUBLISHED. RELEASED FOR PUBLICATION 20
 © COPYRIGHT 20 BY TYCO ELECTRONICS CORPORATION. ALL RIGHTS RESERVED.

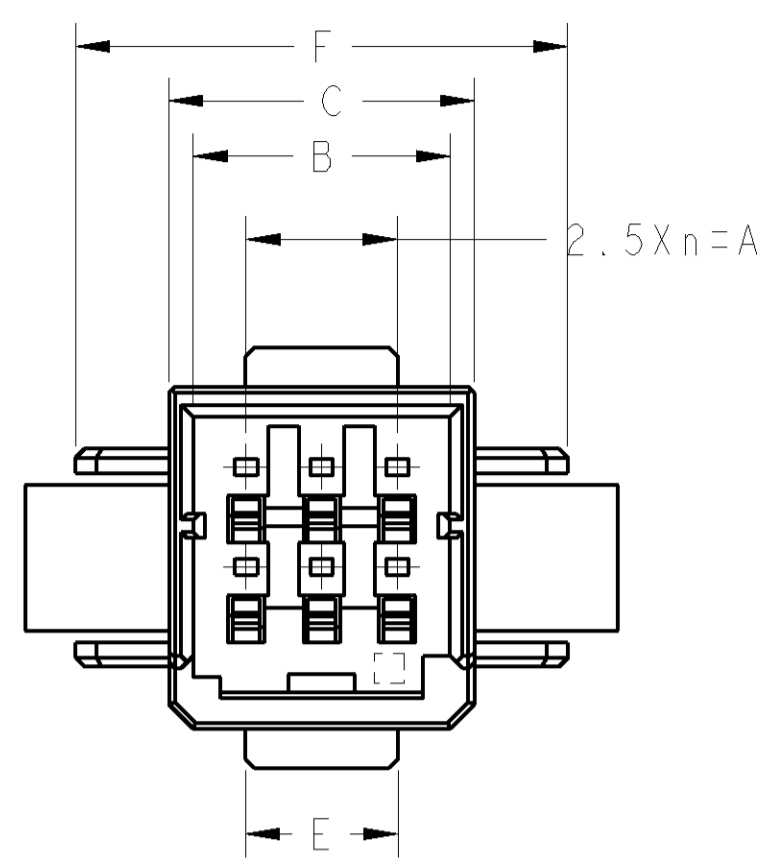
LOC	DIST	REVISIONS			
P	LTR	DESCRIPTION	DATE	DWN	APVD
J	-	SEE SHEET 1 OF 2			



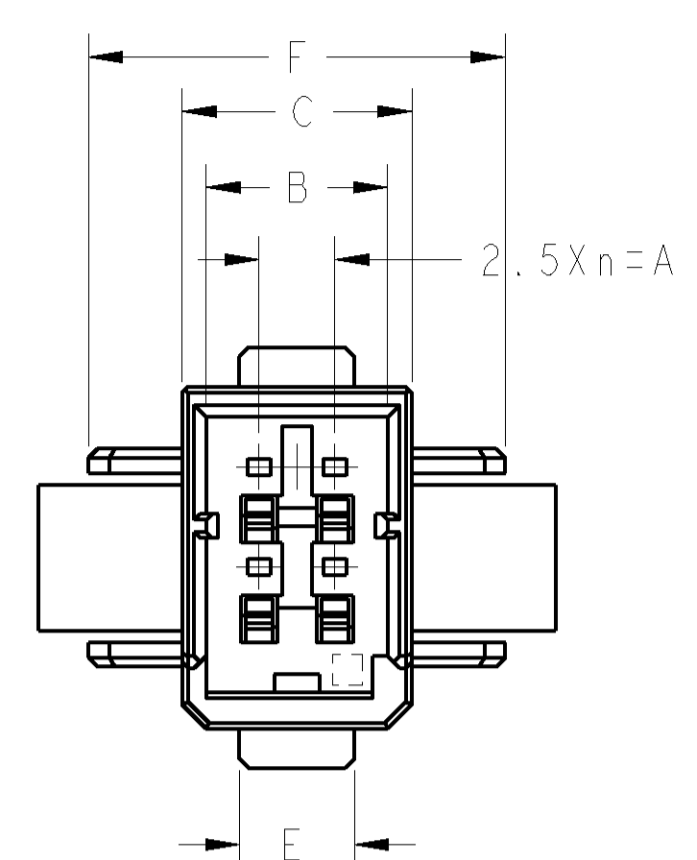
12POS(X-KEY)



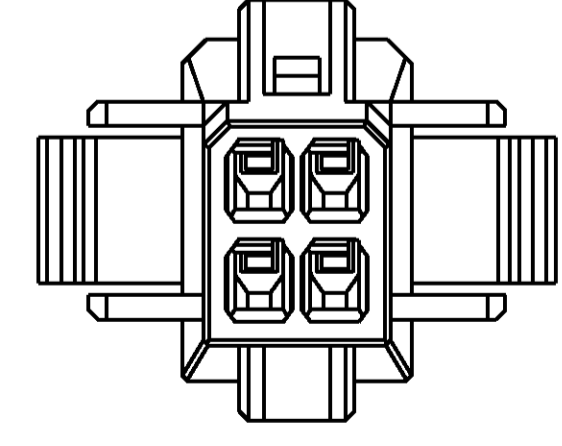
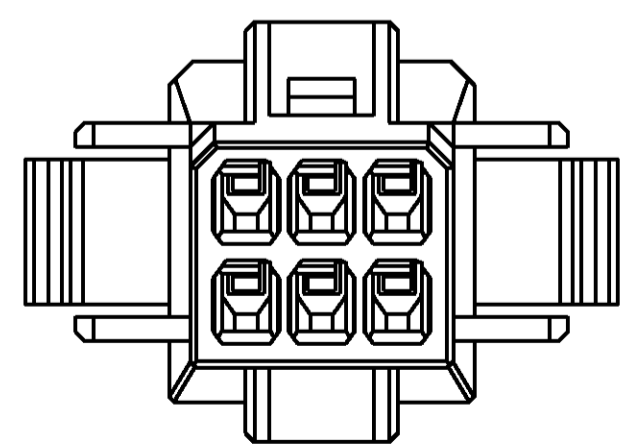
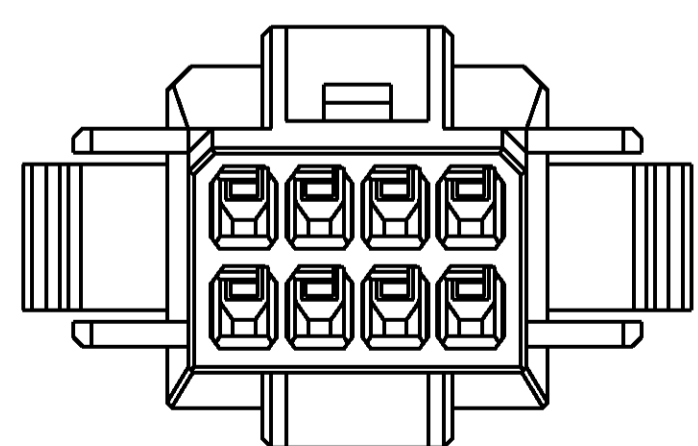
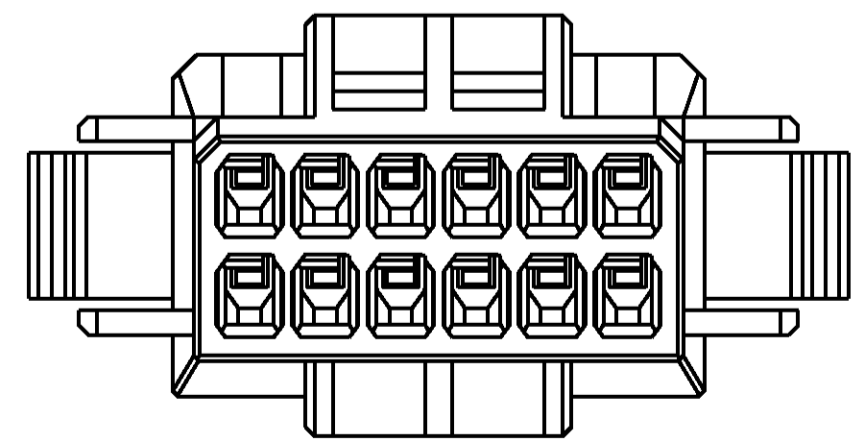
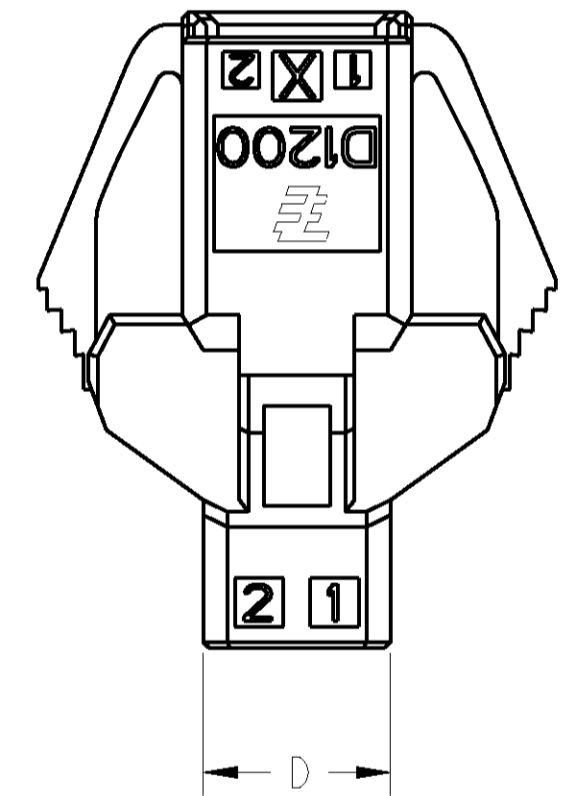
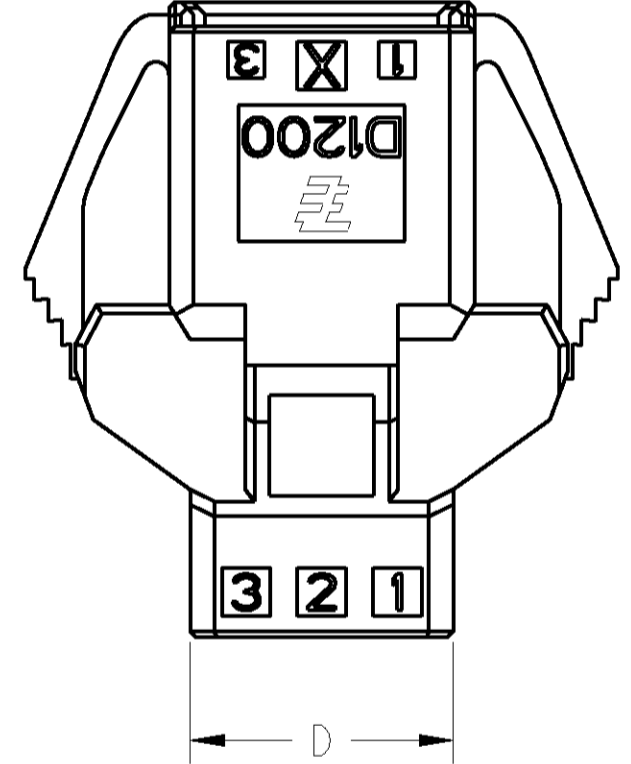
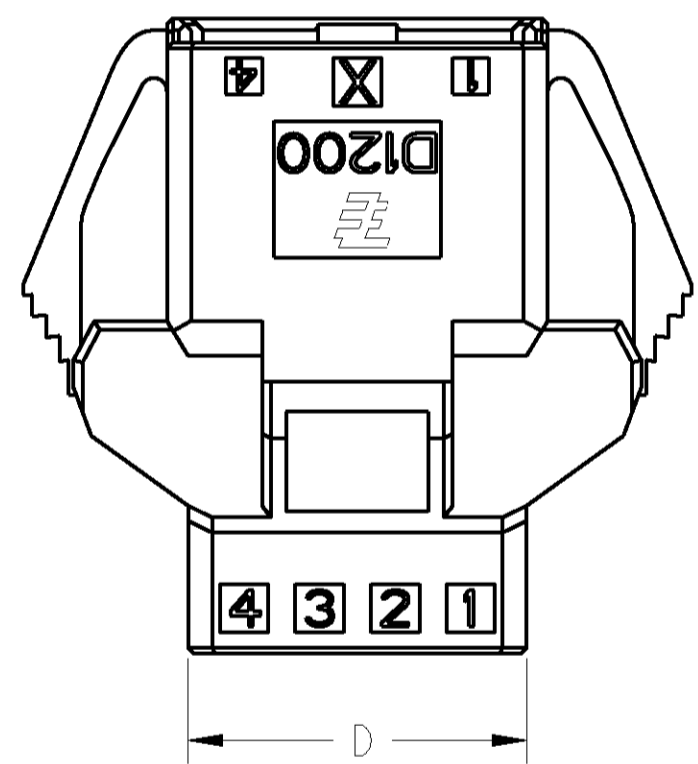
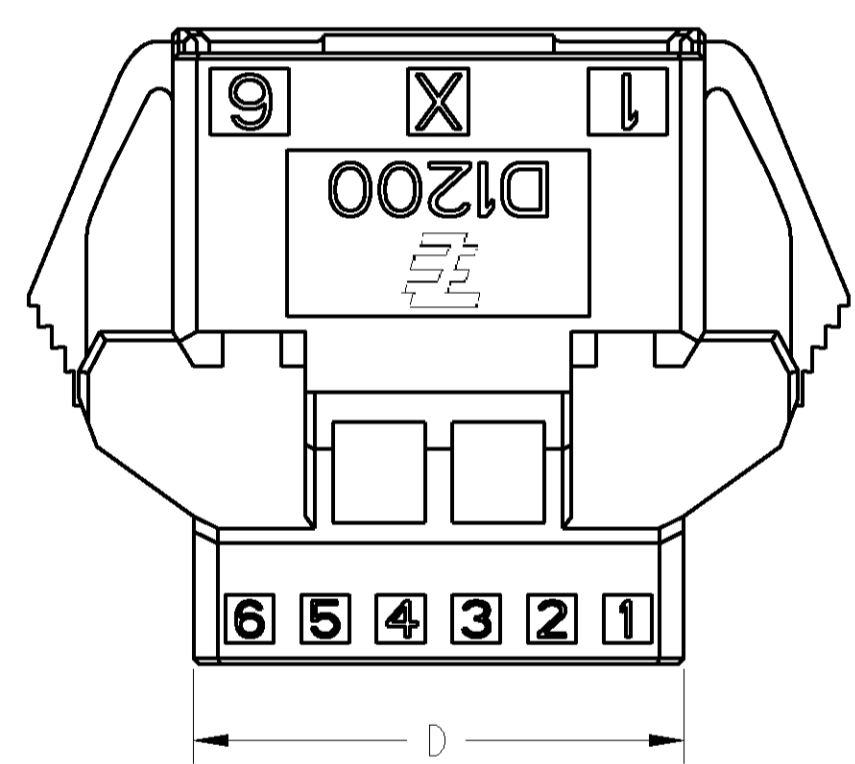
8POS(X-KEY):
 1-2069829-4
 3-2069829-4



6POS(X-KEY):
 1-2069829-3
 3-2069829-3



4POS(X-KEY)



THIS DRAWING IS A CONTROLLED DOCUMENT FOR TYCO ELECTRONICS CORPORATION. IT IS SUBJECT TO CHANGE AND THE CONTROLLING ENGINEERING ORGANIZATION SHOULD BE CONTACTED FOR THE LATEST REVISION.		DWN - SEE SHEET 1 CHK - SEE SHEET 1 APVD - SEE SHEET 1	Tyco Electronics Tyco Electronics AMP K.K. Kawasaki, Japan
DIMENSIONS: mm	TOLERANCES UNLESS OTHERWISE SPECIFIED: 1 PLC ± 2 PLC ± 3 PLC ± 4 PLC ± ANGLES ± MATERIAL FINISH	PRODUCT SPEC - SEE SHEET 1 APPLICATION SPEC - SEE SHEET 1 WEIGHT - CUSTOMER DRAWING	NAME: DYNAMIC D1200D 2.5mm PITCH TAB HSG (PANEL MOUNT TYPE) COLOR 4-20POS SIZE: A2 CAGE CODE: 00779 DRAWING NO: C-2069829 RESTRICTED TO: -
		SCALE: 4:1	SHEET: 2 OF 2 REV: B