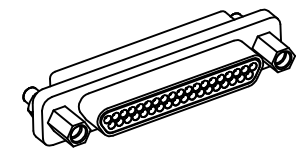
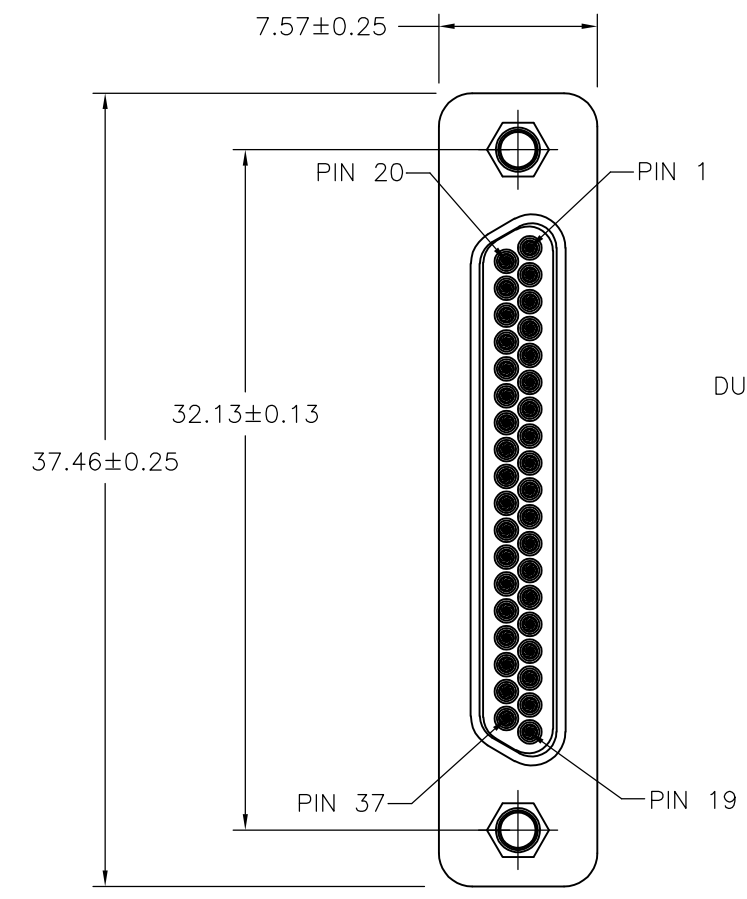


THIS DRAWING IS UNPUBLISHED. RELEASED FOR PUBLICATION  
 © COPYRIGHT BY TYCO ELECTRONICS CORPORATION. ALL INTERNATIONAL RIGHTS RESERVED.

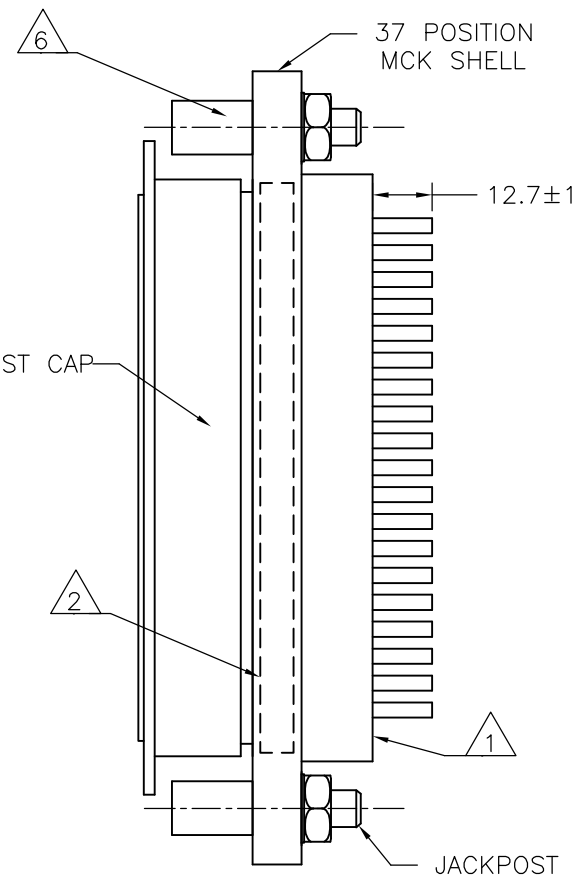
LOC	DIST	REVISIONS			
P	LTR	DESCRIPTION	DATE	DWN	APVD
	A1	ECR-10-009350	29/4/10	NH	KS
	A2	ECR-11-005732	18/3/11	NH	KS



2067154-1 AS SHOWN

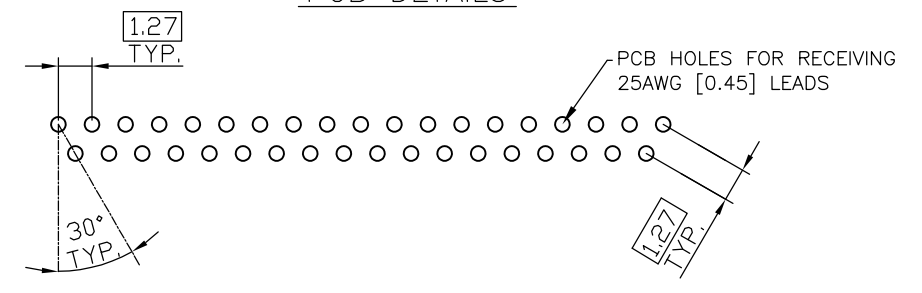


CONTACT ARRANGEMENT AS SEEN FROM FACE VIEW OF PIN SIDE (DUST CAP NOT SHOWN)



- 1 MAXIMUM POTTING DONE UP TO HEIGHT OF THE SHELL
- 2 TE PN AND DATE CODE (YYWW) ARE PRINTED ON THE CONNECTOR SHELL.
- 3 SPECIFICATION:
  - a. ELECTRICAL:
    - CONTACT RESISTANCE : 25 MILLIVOLTS MAX. AT 3 AMPS
    - INSULATION RESISTANCE : 5000 MEGAOHMS MIN. @ 500 VDC AT AMBIENT ROOM TEMPERATURE
    - CURRENT RATING : 3 AMP MAX. PER CONTACT
  - b. MECHANICAL:
    - CONTACT ENGAGING FORCE : 2.22 N MAX. PER CONTACT
    - CONTACT SEPARATION FORCE : 0.14 N MIN. PER CONTACT
  - c. ENVIRONMENTAL:
    - OPERATING TEMPERATURE : -55° C TO +125° C
    - VIBRATION CHARACTERISTICS : PER MIL-STD-1344, METHOD 2005, TEST CONDITION IV
- 4 MATERIAL:
  - SHELL : ALUMINUM ALLOY 6061 T6 GRADE.
  - CONTACT : COPPER
  - BUSHING : STAINLESS STEEL PER ASTM-A-582, TYPE 303, COND.A.
  - LOCKWASHER : PER MS35338-134 CRES 300 SERIES
  - NUT : STAINLESS STEEL 300 SERIES, NON-MAGNETIC
- 5 FINISH:
  - SHELL : ELECTROLESS NICKEL PLATING PER MIL-C-26074, CLASS 4, GRADE A, 25-33 microns THICK.
  - CONTACT : GOLD PLATE PER MIL-G-45205
  - BUSHING : PASSIVATE PER QQ-P-35
  - LOCKWASHER : PASSIVATED
  - NUT : PASSIVATED
- 6 BUSHING, LOCK WASHER AND NUT ARE ONLY FOR 2067154-1  
 2067154-2 IS WITHOUT JACKPOST [BUSHING, LOCK WASHER AND NUT]

PCB DETAILS



TE PN	DESCRIPTION
2067154-2	MCK-N1-B-37P5L5-0.5
2067154-1	MCK-N1-P-37P5L5-0.5

THIS DRAWING IS A CONTROLLED DOCUMENT.		DWN 26APR2010 NIRANJAN HEGDE	TE CONNECTIVITY	
DIMENSIONS: mm		CHK 26APR2010 SHIVAPRAKASH K R		
TOLERANCES UNLESS OTHERWISE SPECIFIED:		APVD 26APR2010 KARTHIK S	NAME 37 POSITION PIN CONNECTOR ASSEMBLY	
0 PLC ± - 1 PLC ± - 2 PLC ± - 3 PLC ± - 4 PLC ± - ANGLES ± -		PRODUCT SPEC	-	
MATERIAL 4		APPLICATION SPEC	-	
FINISH 5		WEIGHT -	SIZE A3	CAGE CODE SDX74
		DRAWING NO C-2067154		RESTRICTED TO -
CUSTOMER DRAWING			SCALE NTS	SHEET 1 OF 1
			REV A2	