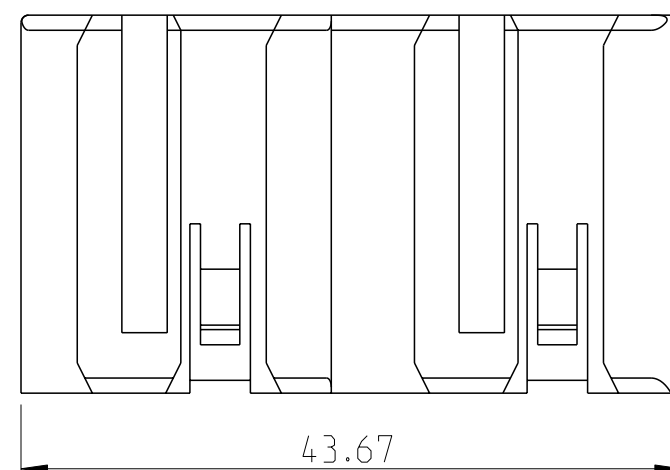
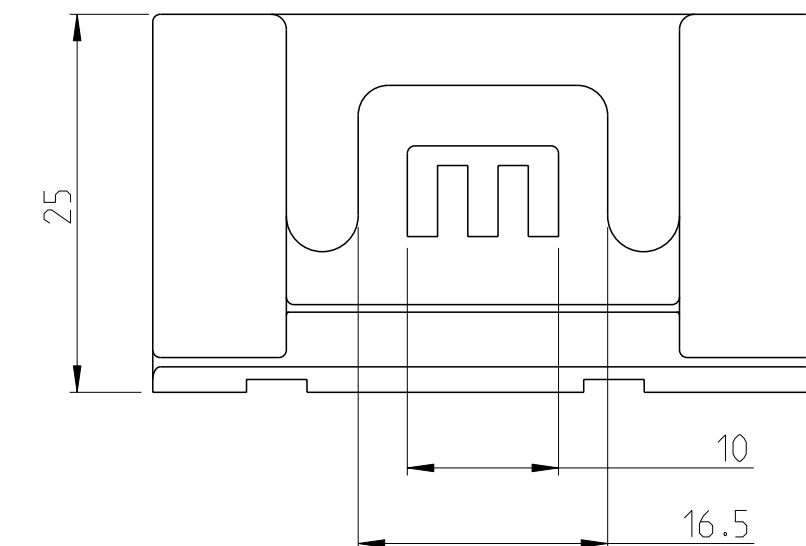
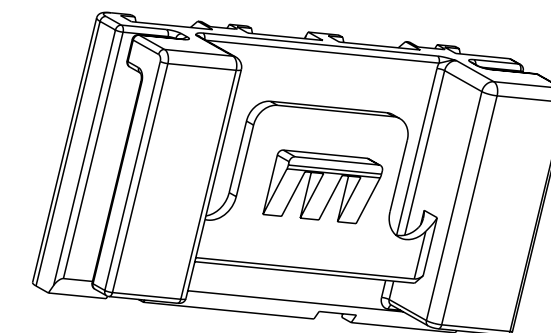
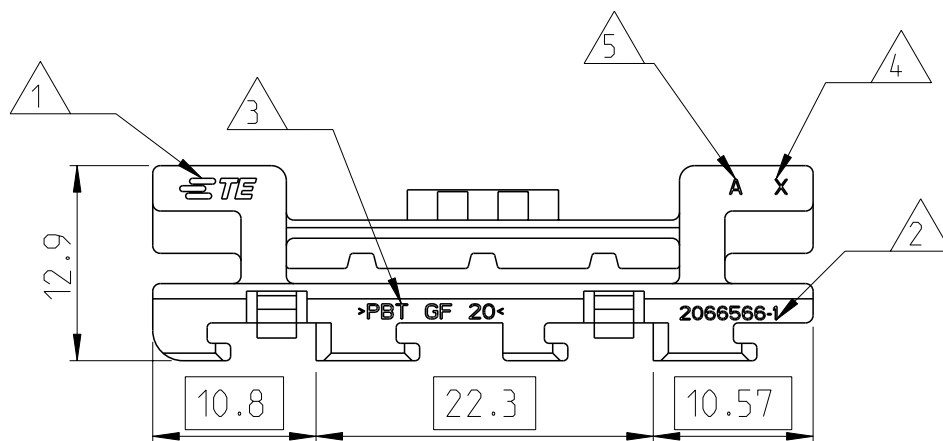


REVISIONS

P	LTR	DESCRIPTION	DATE	DWN	APVD
	A	NEW RELEASE	20NOV2013	RD	RK



NOTES:-

- ① TE CONNECTIVITY LOGO.
- ② TE PART NUMBER
- ③ MATERIAL MARKING.
- ④ MOLD CAVITY MARKING
- ⑤ TE PART REVISION
- ⑥ 15% MAX PERMITTED REGRIND MATERIAL PROCESSED IN CLOSED LOOP

2066566-1	A	MOUNTING BRACKET METAL LOCK, W105, ENGINE COMPT FRB	PBT-GF20 ⑥	BLACK	1
PART NUMBER	TE REV	DESCRIPTION	MATERIAL	COLOUR	ITEM

THIS DRAWING IS A CONTROLLED DOCUMENT.		DWN RAMESH D 20NOV2013			
DIMENSIONS: mm		CHK KUNAL G 20NOV2013			
TOLERANCES UNLESS OTHERWISE SPECIFIED:		APVD RAMESH KUMAR 20NOV2013	NAME MOUNTING BRACKET METAL LOCK, W105, ENGINE COMPT FRB		
		PRODUCT SPEC -	RESTRICTED TO -		
0 PLC ±0.5 1 PLC ±0.5 2 PLC ±0.5 3 PLC ± 4 PLC ± ANGLES ±°		APPLICATION SPEC -	SIZE A3	CAGE CODE -	DRAWING NO C-2066566
MATERIAL SEE TABLE		WEIGHT 8.7 Gms	SCALE 2:1 SHEET 1 OF 1 REV A		
-		CUSTOMER DRAWING			