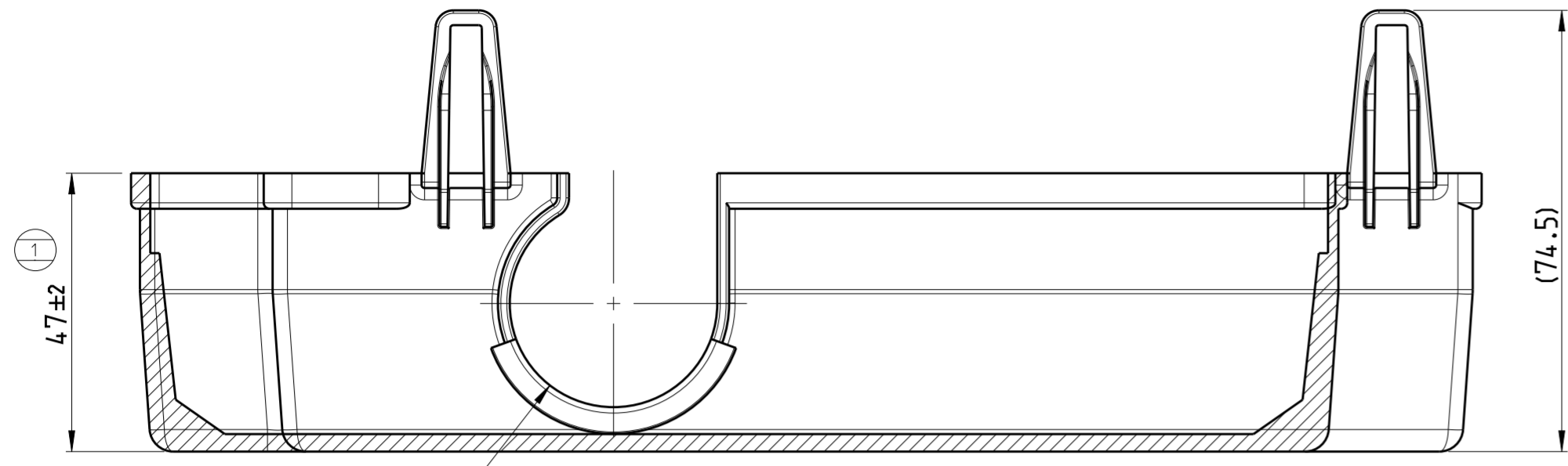
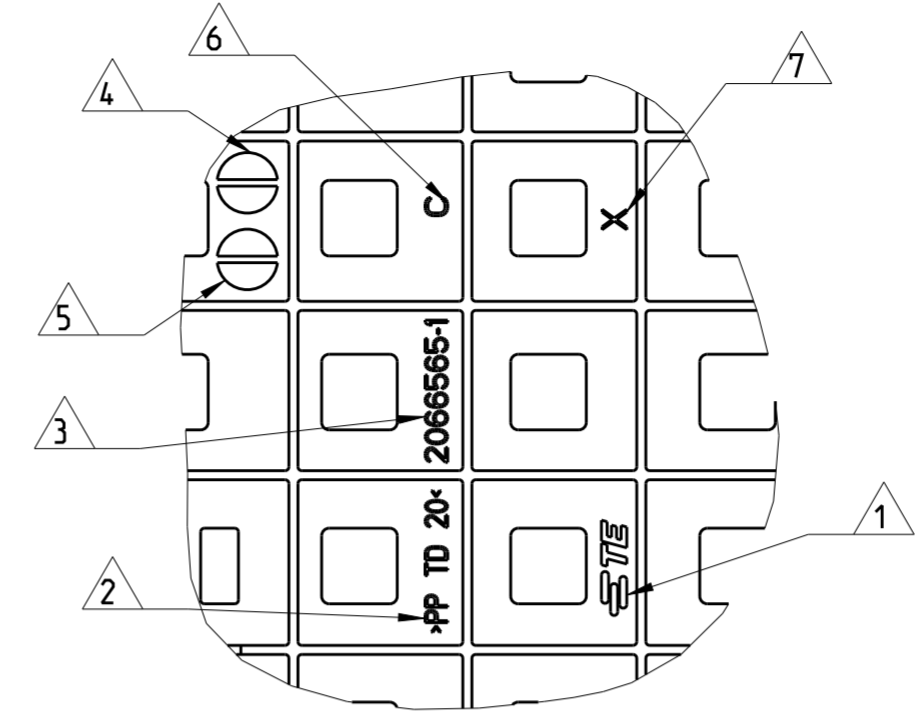


THIS DRAWING IS UNPUBLISHED. RELEASED FOR PUBLICATION 2014
 © COPYRIGHT 2014 BY - TE CONNECTIVITY INDIA PVT LTD ALL RIGHTS RESERVED.

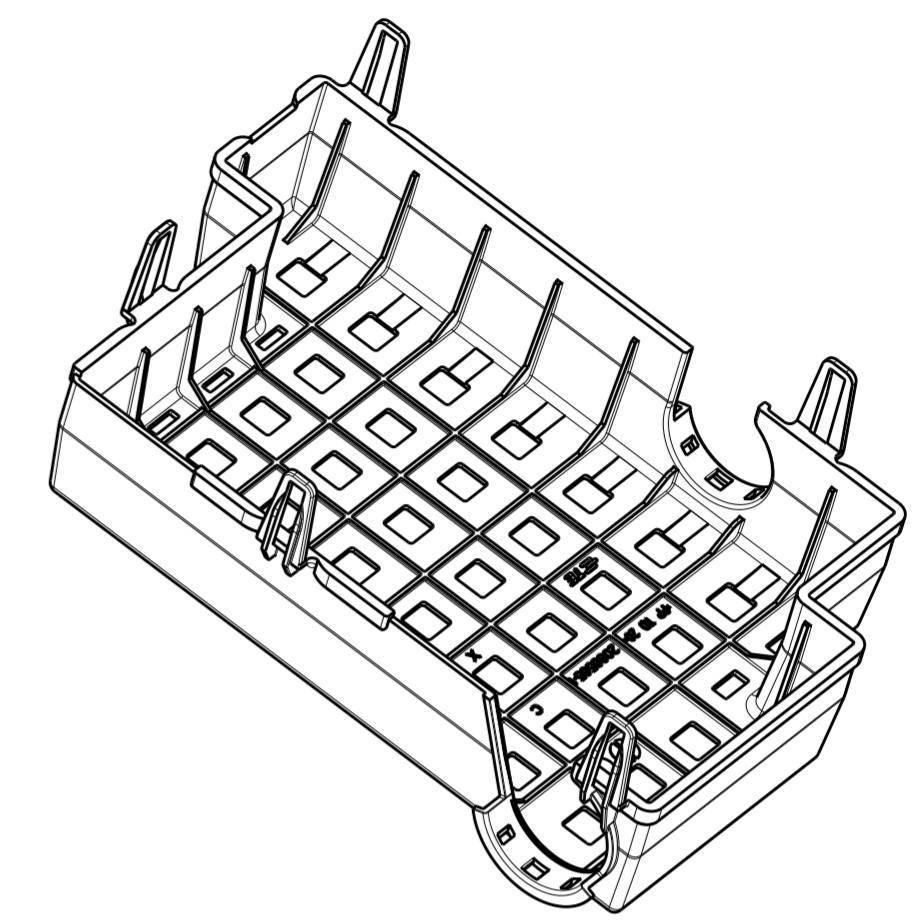
| REVISIONS | | | | | |
|-----------|-----|---------------|------------|-----|------|
| P | LTR | DESCRIPTION | DATE | DWN | APVD |
| A | | NEW RELEASE | 20NOV20013 | RD | RK |
| B | | ECR-13-019395 | 14APR2014 | GG | RK |
| C | | ECR-16-013883 | 29SEP2016 | KG | CP |



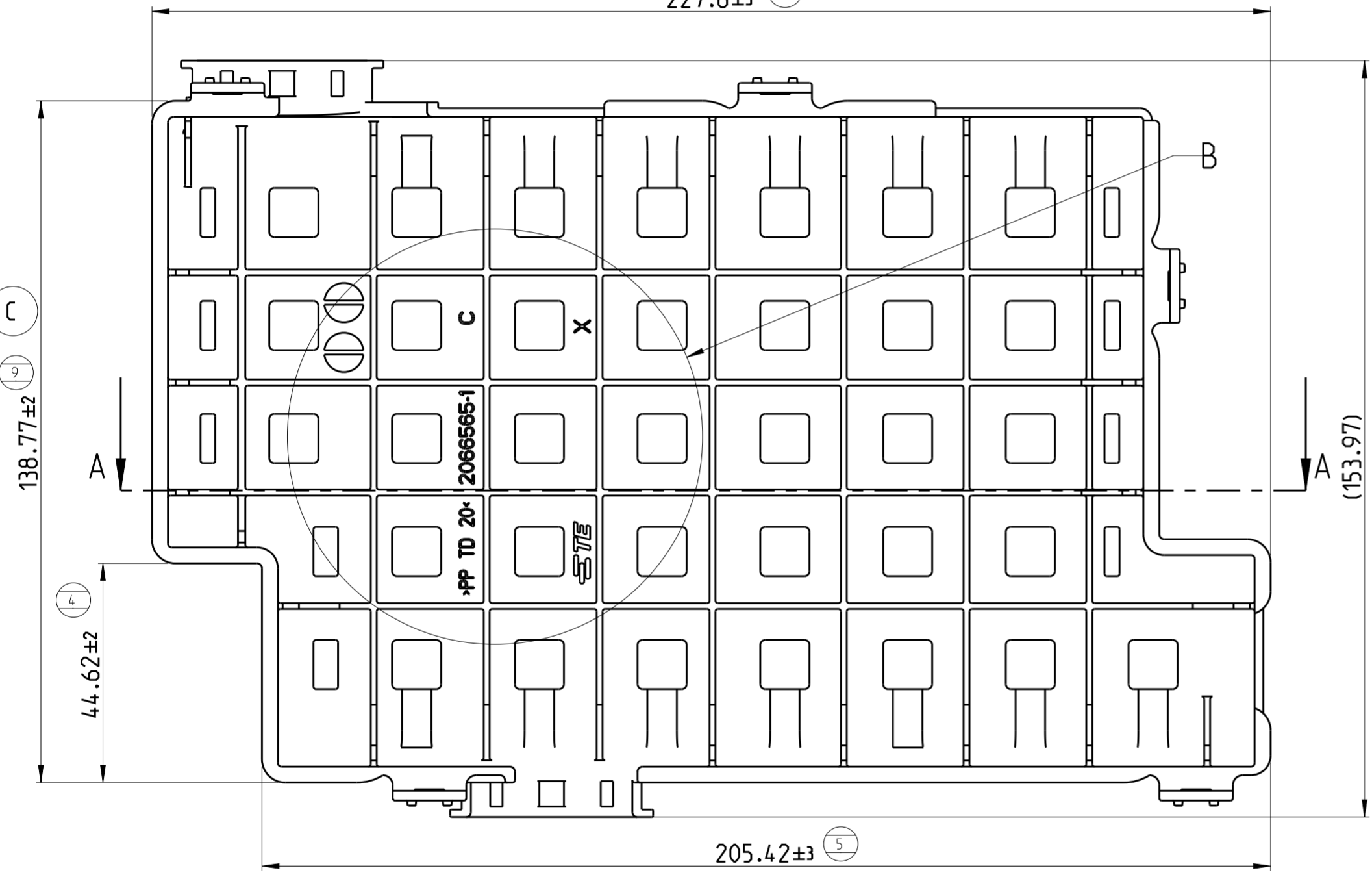
SECTION A-A
 227.8 ± 3



DETAIL B
 1:1

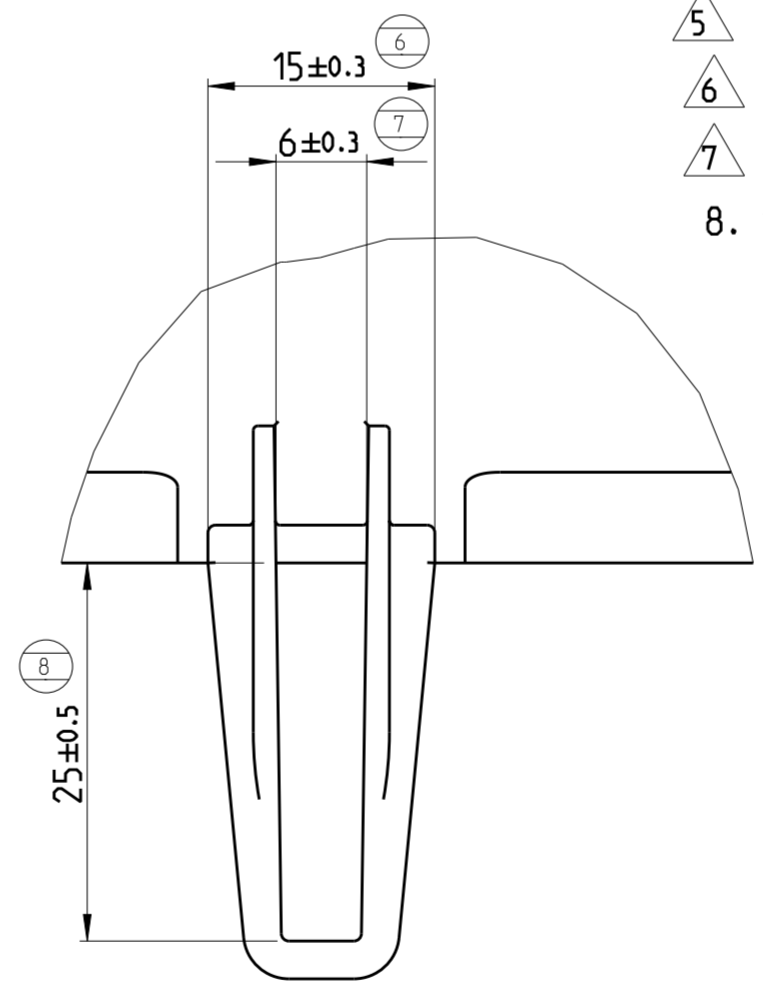


1:2

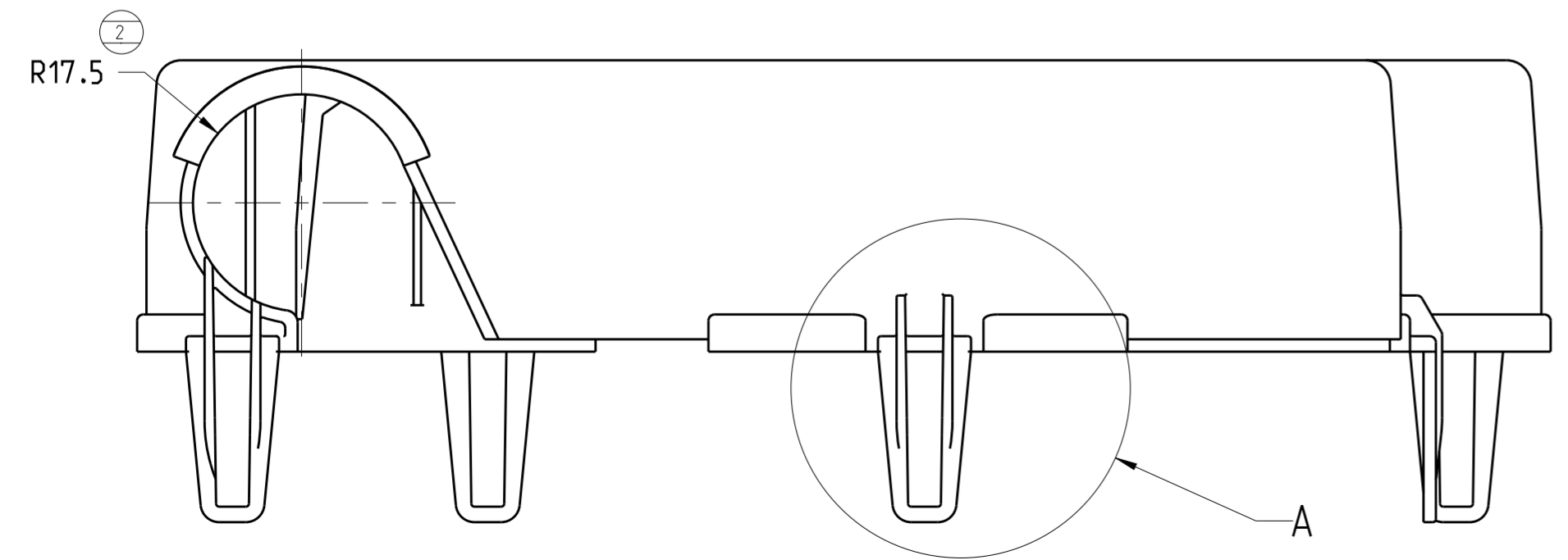


NOTES :-

- 1 TE LOGO
- 2 MATERIAL IDENTIFICATION.
- 3 TE PART NO.
- 4 PRODUCTION MONTH CODE.
- 5 PRODUCTION YEAR CODE.
- 6 PART REVISION.
- 7 TOOL CAVITY MARKING.
- 8. 15% MAX PERMITTED REGRIND MATERIAL PROCESSED IN CLOSED LOOP.



DETAIL A
 2:1



| 2066565-1 | C | BOTTOM COVER. W105.ENGINE COMPT FRB | PP TD 20% | BLACK | 1 |
|-----------|-----|-------------------------------------|-----------|--------|---------|
| PART NO | REV | DESCRIPTION | MATERIAL | COLOUR | ITEM NO |

| | | | | | |
|--|------|---------------------------|--|---------|-------------|
| THIS DRAWING IS A CONTROLLED DOCUMENT. | | DWN GEEIA G 14 APR 2014 | TE Connectivity | | |
| DIMENSIONS: mm | | CHK RAJESH K 14 APR 2014 | | | |
| TOLERANCES UNLESS OTHERWISE SPECIFIED: | | APVD RAMESH K 14 APR 2014 | NAME BOTTOM COVER W105. ENGINE COMPT FRB | | |
| 0 PLC | ±0.5 | PRODUCT SPEC | - | | |
| 1 PLC | ±0.5 | APPLICATION SPEC | - | | |
| 2 PLC | ±0.5 | WEIGHT | 112 g | SIZE A2 | CAGE CODE - |
| 3 PLC | ±0.5 | CUSTOMER DRAWING | SCALE 1:1 SHEET 1 OF 1 REV C | | |
| 4 PLC | ± | | | | |
| ANGLES | ±2 | | | | |
| FINISH | - | | | | |