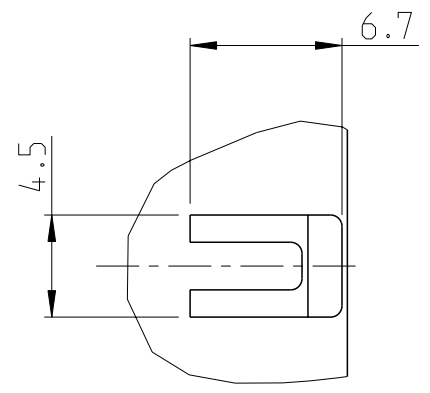


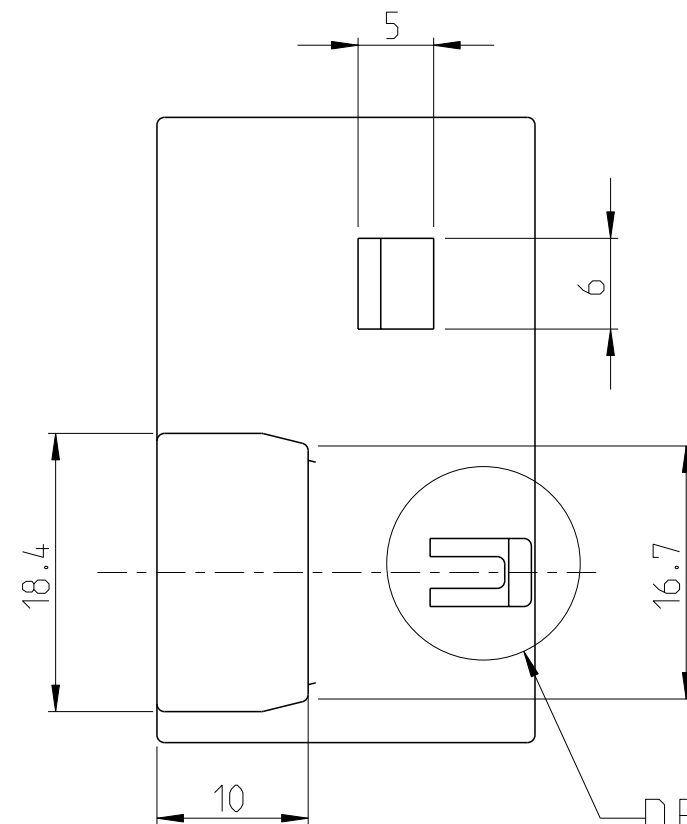
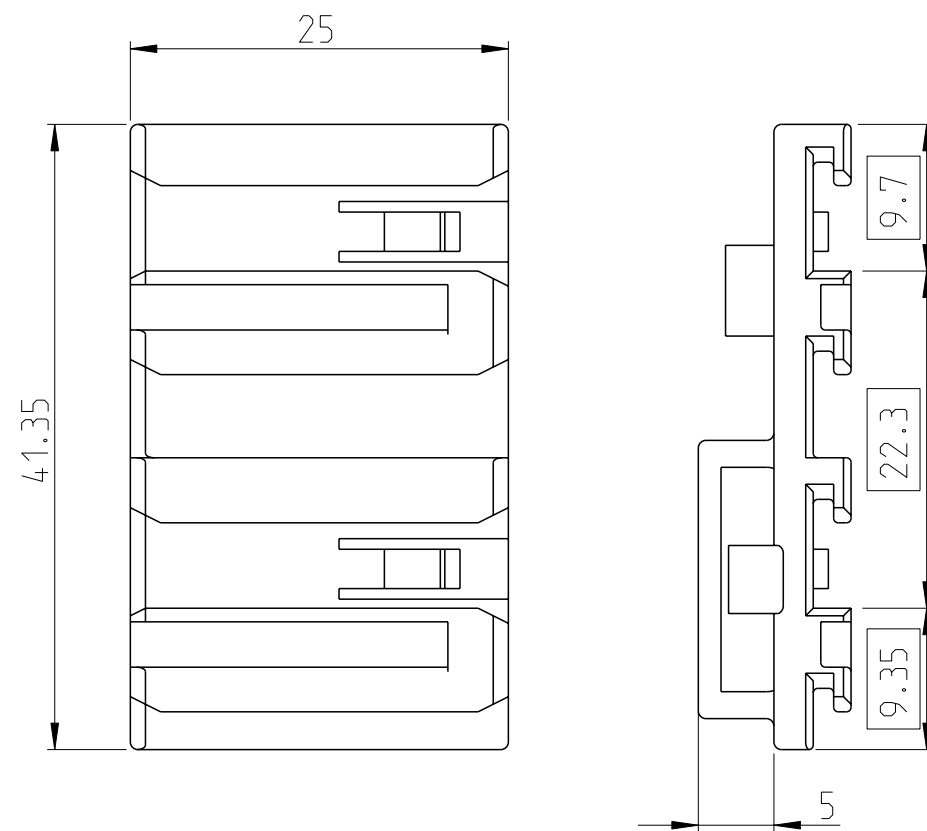
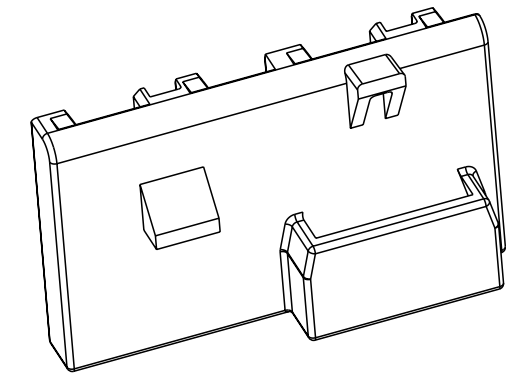
REVISIONS

P	LTR	DESCRIPTION	DATE	DWN	APVD
	A	NEW RELEASE	20NOV2013	GG	RK



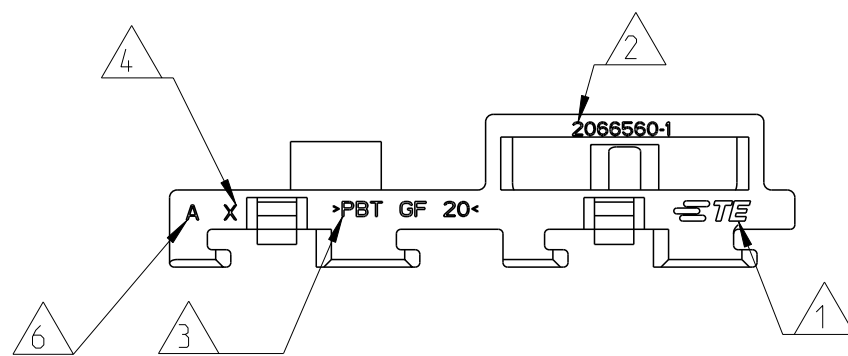
DETAIL A
3:1

ISO VIEW



NOTES:-

- 1 TE CONNECTIVITY LOGO.
- 2 TE PART NUMBER
- 3 MATERIAL MARKING.
- 4 MOLD CAVITY MARKING
- 5 15% MAX PERMITTED REGRIND MATERIAL PROCESSED IN CLOSED LOOP
- 6 TE PART REVISION



2066560-1	A	FRONT LOCK, ENGINE COMPT FRB	PBT-GF20 5	BLACK	1
PART NUMBER	TE REV	DESCRIPTION	MATERIAL	COLOUR	ITEM

THIS DRAWING IS A CONTROLLED DOCUMENT.		DWN GEETA G 20NOV2013			
DIMENSIONS: mm		CHK KUNAL G 20NOV2013			
TOLERANCES UNLESS OTHERWISE SPECIFIED:		APVD RAMESH KUMAR 20NOV2013	NAME FRONT LOCK, ENGINE COMPT FRB		
0 PLC ±0.5 1 PLC ±0.5 2 PLC ±0.5 3 PLC ± 4 PLC ± ANGLES ±2°		PRODUCT SPEC	RESTRICTED TO		
MATERIAL SEE TABLE		APPLICATION SPEC	SIZE A3	CAGE CODE -	DRAWING NO C-2066560
FINISH		WEIGHT 5.6 Gms	SCALE 2:1		
-		Customer Drawing	SHEET 1 OF 1 REV A		