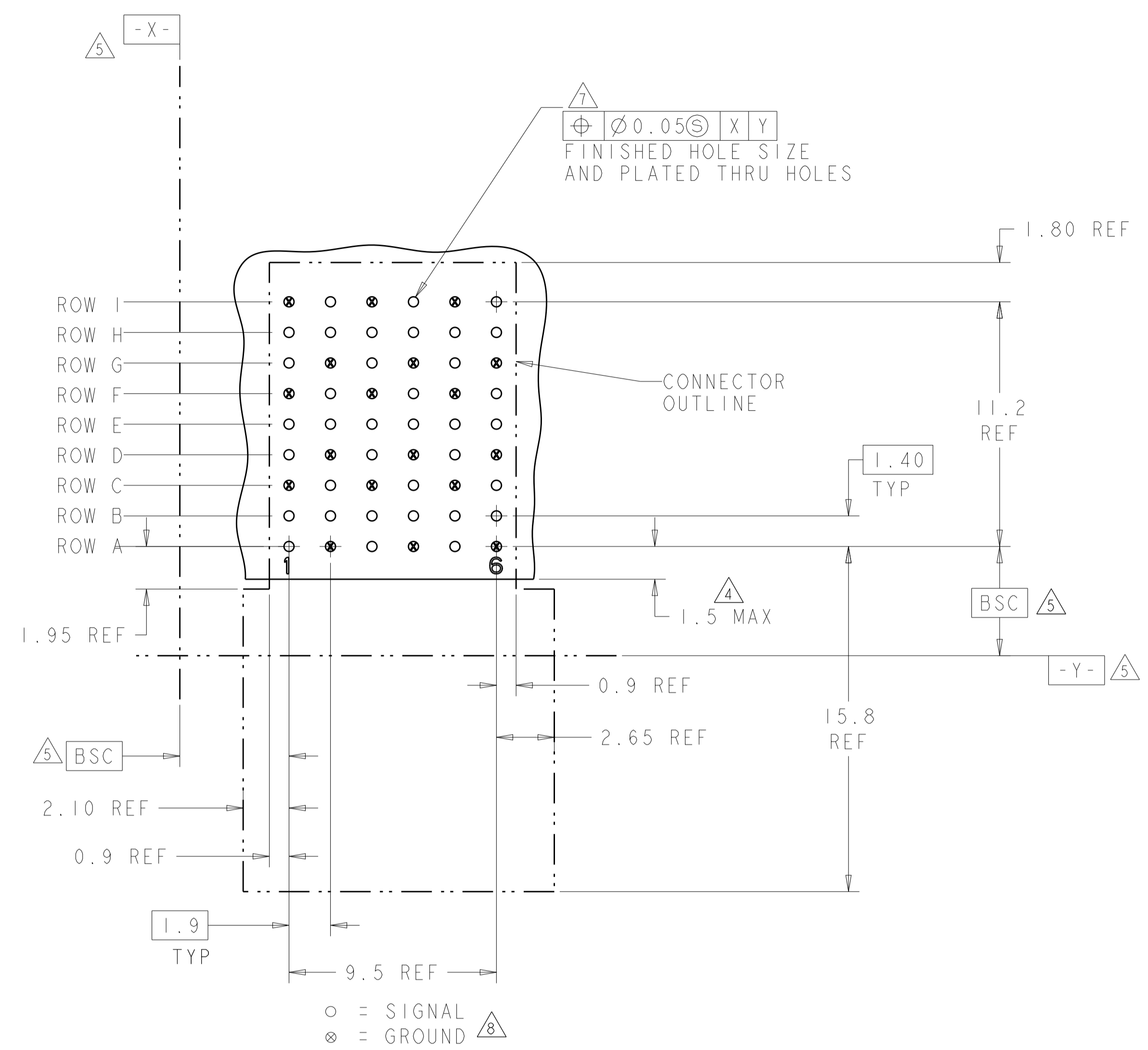
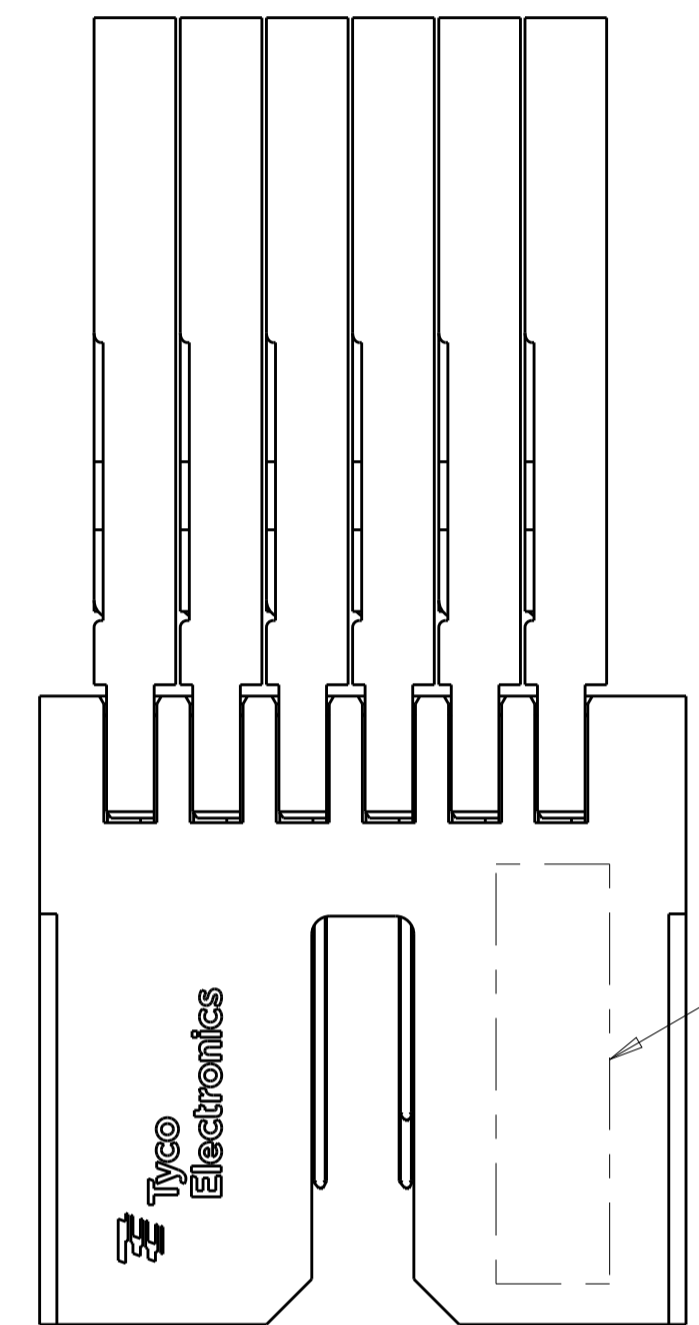


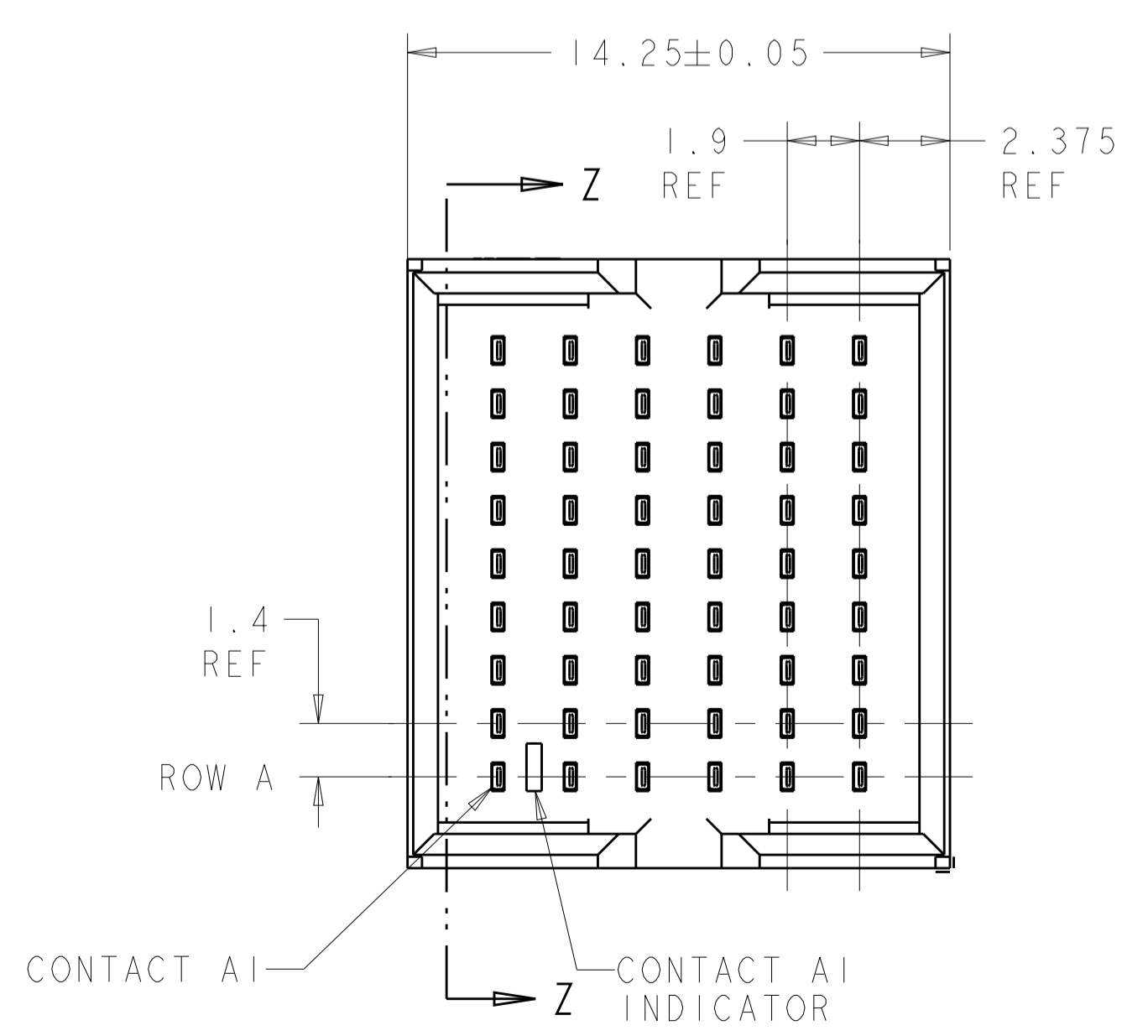
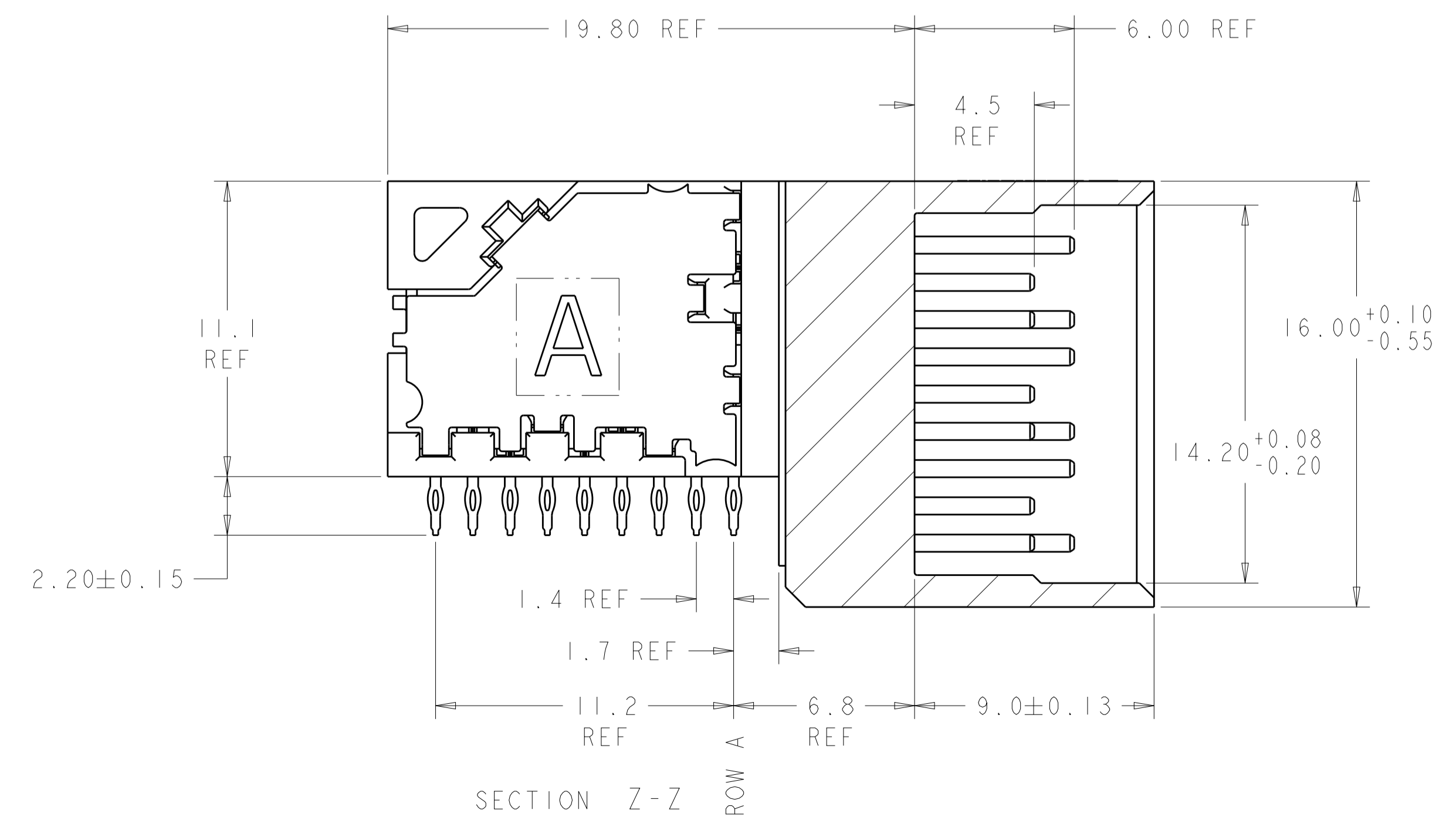
LOC	DIST	REVISIONS			
P	LTN	DESCRIPTION	DATE	DWN	APVD
D		REVISED PER ECO-13-002771	04MAR2013	KH	RP



RECOMMENDED PC BOARD LAYOUT
 COMPONENT SIDE SHOWN



- 1 MATERIAL:
 CONTACT AND SHIELD: PHOS BRONZE
 HOUSING AND CHICKLET: LCP, UL 94V-0, COLOR: BLACK
- 2 FINISH:
 CONTACT AREA FINISH CONFORMS TO THE REQUIREMENTS
 OF TE PRODUCT SPECIFICATION 108-2303; BASED ON
 TELCORDIA GR-1217-CORE FOR SYSTEM QUALITY
 LEVEL III APPLICATIONS IN CONTROLLED
 ENVIRONMENTS (CENTRAL OFFICE).
 COMPLIANT PIN AREA- 0.5µm MIN MATTE TIN OVER 1.27µm MIN NICKEL.
 SHIELD 1.27µm MIN NICKEL.
- 3 CONNECTOR MARKED WITH PART NUMBER, DATE CODE, AND
 STANDARD IN APPROXIMATE AREA SHOWN.
- 4 DIMENSION APPLIES TO CENTERLINE OF THRU HOLE.
- 5 DATUMS AND BASIC DIMENSIONS ESTABLISHED BY CUSTOMER.
- 6. CONTACT AREA LUBRICATED WITH BELLCORE APPROVED
 LUBRICANT. TECHNICAL REFERENCE: GR-1217-CORE, ISSUE 1,
 NOVEMBER 1995.
- 7 REFERENCE APPLICATION SPEC 114-13202 FOR RECOMMENDED
 PLATED THRU HOLE DIAMETER AND PLATING THICKNESS.
- 8 ALL GROUNDS IN ODD NUMBERED COLUMNS ARE COMMONED.
 ALL GROUNDS IN EVEN NUMBERED COLUMNS, EXCEPT FOR ROW A
 ARE COMMONED.



2065777-1
 PART NUMBER

THIS DRAWING IS A CONTROLLED DOCUMENT.		DWN B. CARBO	25FEB2009	TE Connectivity NAME RIGHT ANGLE HEADER ASSEMBLY, DOUBLE WALL, 3 PAIR, 6 COLUMN, Z-PACK TinMan			
DIMENSIONS:		CHK R. PATTERSON	25FEB2009				
mm		APVD R. PATTERSON	25FEB2009				
0 PLC ± 1 PLC ± 2 PLC ± 3 PLC ± 4 PLC ± ANGLES ±		PRODUCT SPEC	APPLICATION SPEC				
MATERIAL	FINISH	WEIGHT	SIZE	CAGE CODE	DRAWING NO	RESTRICTED TO	
△	△		A1	00779	C=2065777		
CUSTOMER DRAWING		SCALE	6:1	SHEET	1	OF	1
		REV	D				