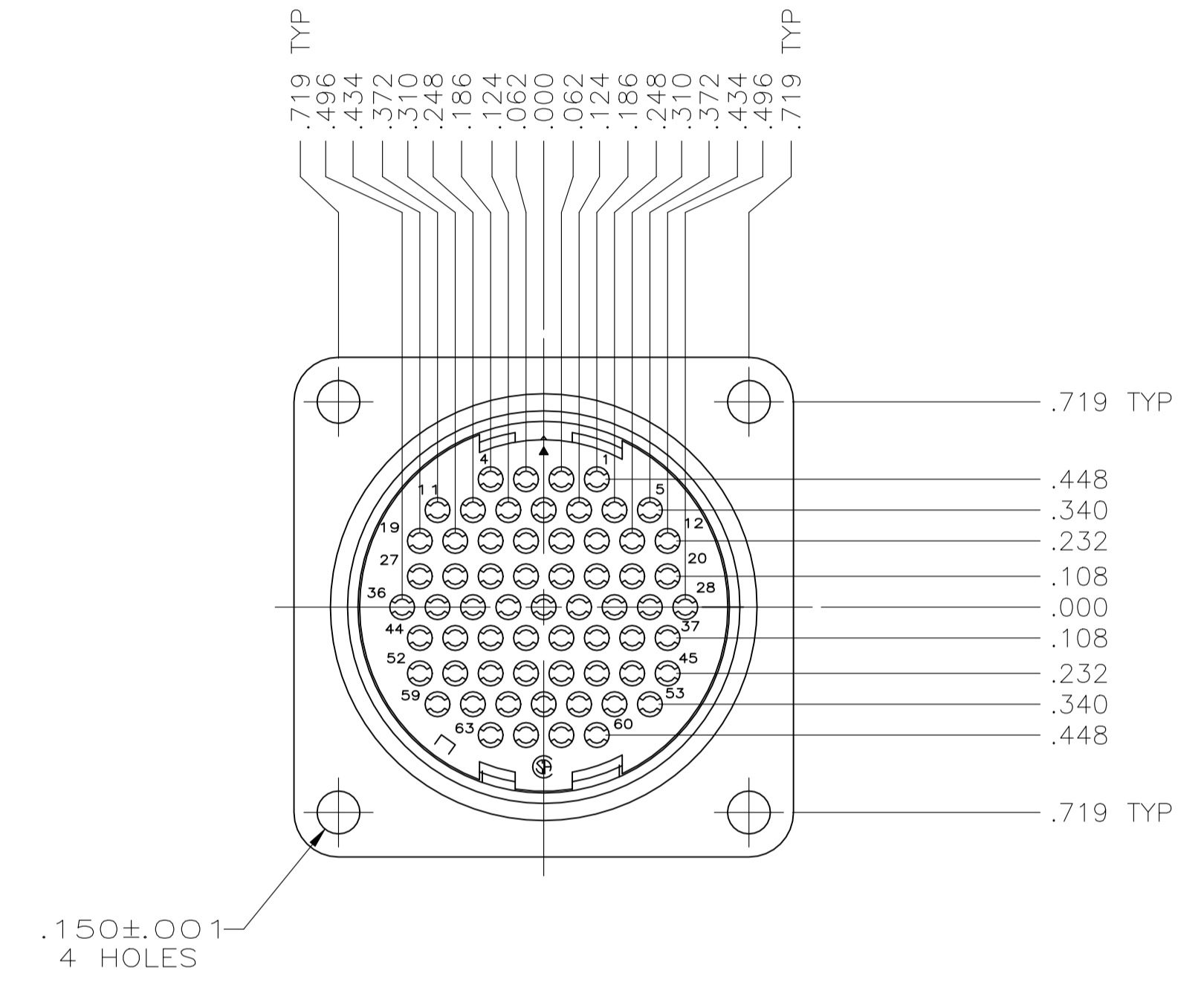
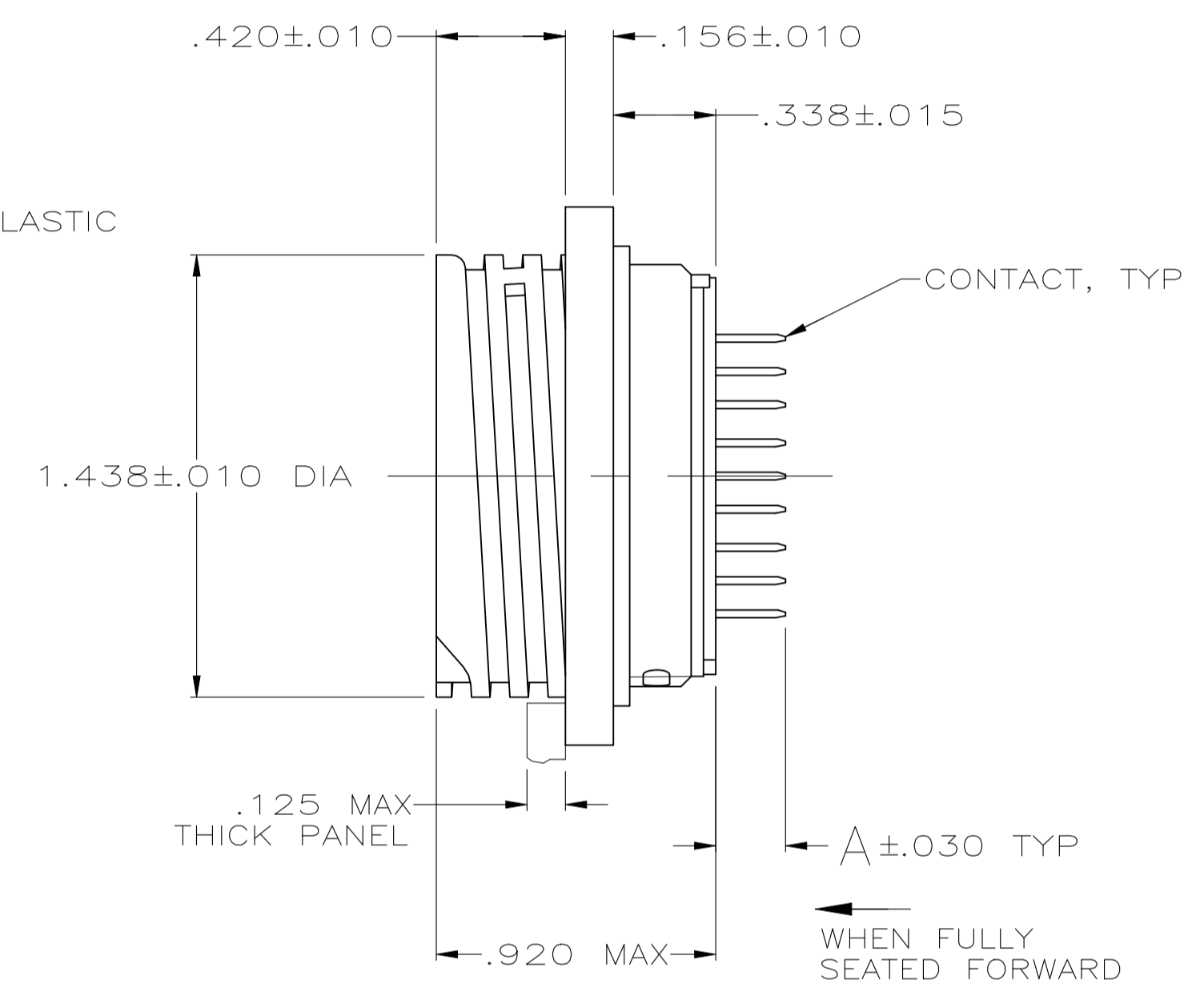
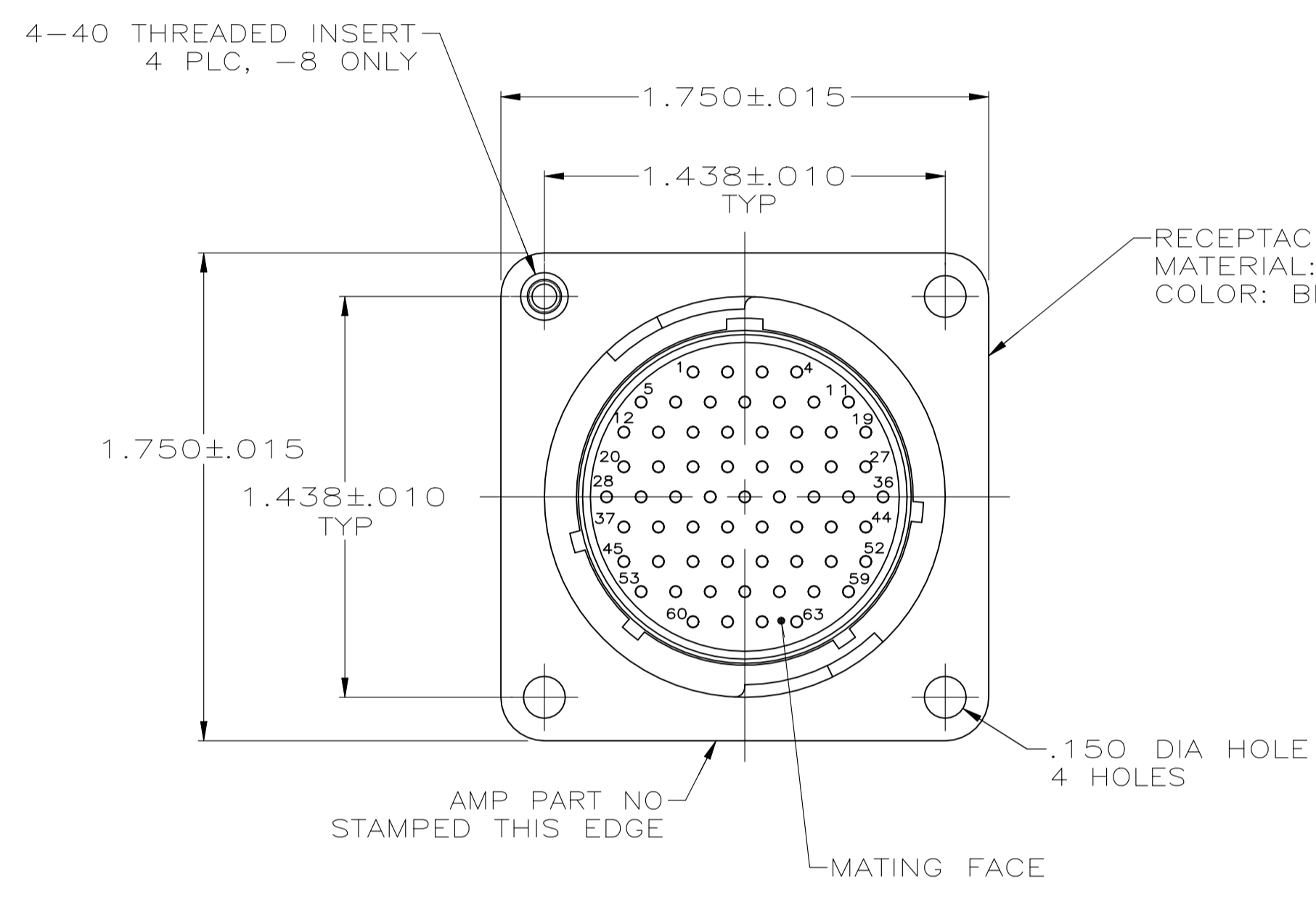


REVISIONS				
P	LTR	DESCRIPTION	DATE	APPROV
V1		REVISED PER ECN-23-205702	12JUL2023	RK MZ

- 1 CONTACT CAVITIES IDENTIFIED BY CHARACTERS ON FRONT AND REAR OF CONNECTOR.
- △ .000030 MIN GOLD FOR A LENGTH OF .200 MIN FROM MATING END, .000100 MIN TIN-LEAD FOR A LENGTH OF DIMENSION "A" FROM OPPOSITE END, ALL OVER .000050 MIN NICKEL.
- 3 RECOMMENDED PC BOARD HOLE SIZE FOR CONTACT POST = 1.02±0.08[.040±.003] DIA.
- △ .000030 MIN GOLD FOR A LENGTH OF .200 MIN FROM MATING END, .000100 MIN TIN FOR A LENGTH OF DIMENSION "A" FROM OPPOSITE END, ALL OVER .000050 MIN NICKEL.



△	NO	.227	1-206455-2
△	NO	.449	1-206455-1
△	YES	.671	206455-9
△	YES	.449	206455-8
△	NO	.671	206455-7
△	NO	.227	206455-3
△	NO	.227	206455-2
△	NO	.449	206455-1

CONTACT FINISH	4-40 THREADED INSERTS	A	PART NUMBER

THIS DRAWING IS A CONTROLLED DOCUMENT.

DIN 5-30-91

J. GALLUCCI 4-14-92

W.G. LENKER 4-14-92

K. REAVER 4-14-92

NAME: RECEPTACLE ASSEMBLY, POSTED, STD SEX, SERIES 1, 23-63, CPC

PRODUCT SPEC: 108-10024

APPLICATION SPEC: -

SIZE: A1

CAGE CODE: 00779

DRAWING NO: 206455

RESTRICTED TO: -

WEIGHT: -

CUSTOMER DRAWING

SCALE: 2:1

SHEET: 1 of 1

REV: V1