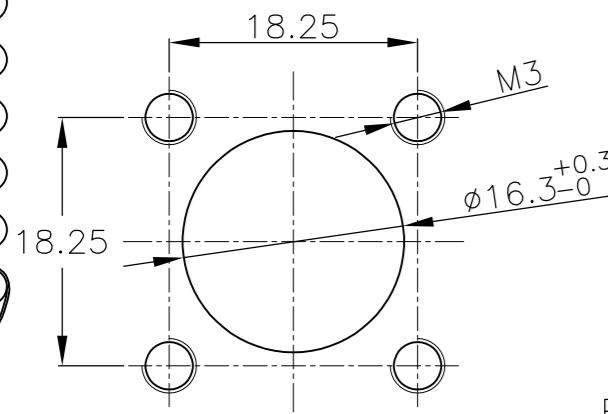
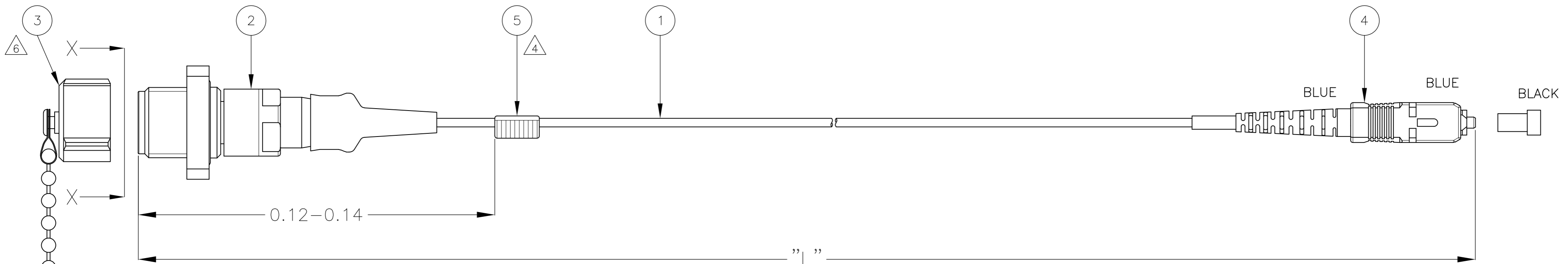
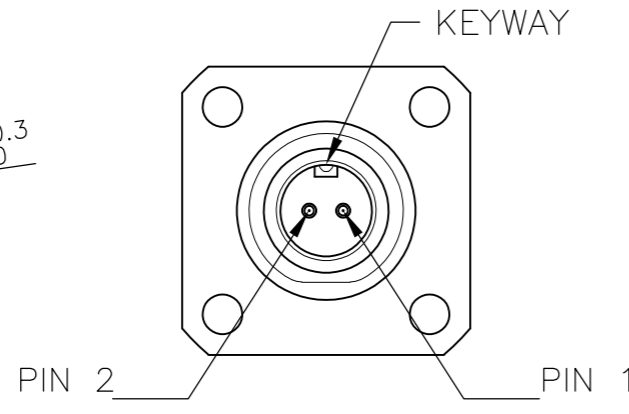


THIS DRAWING IS UNPUBLISHED. RELEASED FOR PUBLICATION  
 © COPYRIGHT - By - ALL RIGHTS RESERVED.

LOC	DIST	REVISIONS			
P	LTR	DESCRIPTION	DATE	DWN	APVD
H	-				
B		ECR-11-005403	01APR2011	RC	AH



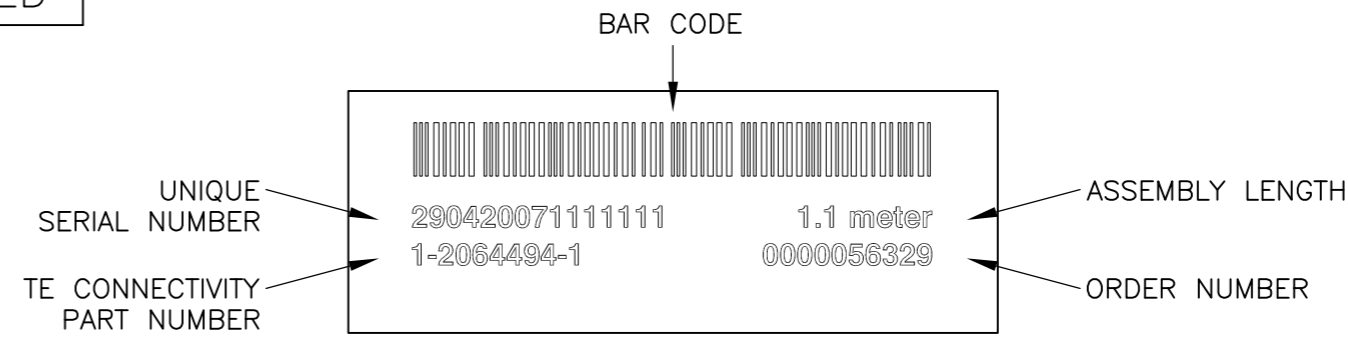
PANEL CUT OUT DIMENSIONS IN "mm" (NOT TO SCALE)



VIEW X-X (NOT TO SCALE)

FIBER CONNECTIVITY	
ODC SOCKET	
PIN 1	SC CONN.
PIN 2	NOT USED

LABEL DETAIL: 4



STANDARD LENGTHS ACCORDING TO CUSTOMER DRAWING 1985945	
PART NUMBER	"L" (meter) 3
X-2064494-Y	X.Y0

- NOTES:
- REFER TO TE CONNECTIVITY CUSTOMER DRAWING 2064160 FOR CABLE ASSEMBLY LOSS AND WAVELENGTHS THAT CABLE ASSEMBLY LOSS WILL BE TESTED TO
  - MINIMUM RETURN LOSS: 45 dB FOR BOTH ODC AND SC CONNECTOR RETURN LOSS WILL BE TESTED AT 1310 nm AND 1550 nm WAVELENGTHS
  - STANDARD LENGTHS AND LENGTH TOLERANCE ACC. TO TE CONNECTIVITY CUSTOMER DRAWING 1985945
  - INFORMATION ON LABEL SEE DETAIL:
    - BARCODE
    - UNIQUE SERIAL NUMBER
    - ASSEMBLY LENGTH
    - TE CONNECTIVITY PART NUMBER
    - TE CONNECTIVITY ORDER NUMBER
  - THE DUST CAP CHAIN WILL NOT BE ATTACHED TO THE CABLE

Qty	Description	Item
1	FOAC INFORMATION LABEL	5
1	SC CONNECTOR ASSEMBLY, SINGLE MODE, BLUE	4
1	FOAC ODC CAP SOCKET PLASTIC WITH CHAIN	3
1	FOKIT ODC SOCKET ASSEMBLY, 2 FIBER, SINGLE MODE	2
L	FOCAB ODC 1.9 mm, SINGLE MODE 9/125, YELLOW	1

THIS DRAWING IS A CONTROLLED DOCUMENT.		DWN R. COOLEN 07APR2009																				
DIMENSIONS: METERS		CHK A. HENGELMOLEN 07APR2009																				
TOLERANCES UNLESS OTHERWISE SPECIFIED:		APVD A. HENGELMOLEN 07APR2009	NAME FIBER OPTIC ODC LEAD 2 FOLD SOCKET SIMPLEX - SC/PC SINGLE MODE 9/125																			
<table border="1"> <tr><td>0 PLC</td><td>±</td><td>-</td></tr> <tr><td>1 PLC</td><td>±</td><td>-</td></tr> <tr><td>2 PLC</td><td>±</td><td>-</td></tr> <tr><td>3 PLC</td><td>±</td><td>-</td></tr> <tr><td>4 PLC</td><td>±</td><td>-</td></tr> <tr><td>ANGLES</td><td>±</td><td>-</td></tr> </table>		0 PLC	±	-	1 PLC	±	-	2 PLC	±	-	3 PLC	±	-	4 PLC	±	-	ANGLES	±	-	PRODUCT SPEC	SIZE A2	
0 PLC	±	-																				
1 PLC	±	-																				
2 PLC	±	-																				
3 PLC	±	-																				
4 PLC	±	-																				
ANGLES	±	-																				
MATERIAL		APPLICATION SPEC	CAGE CODE 00779	DRAWING NO C-2064494																		
FINISH		WEIGHT	RESTRICTED TO	SCALE NTS																		
		CUSTOMER DRAWING	SHEET 1 of 1	REV B																		

ODC IS A TRADEMARK OF HUBER & SUHNER AG CORPORATION