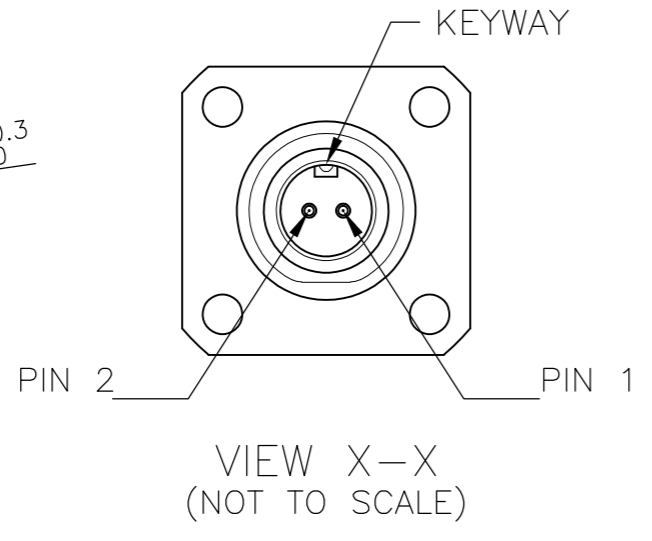
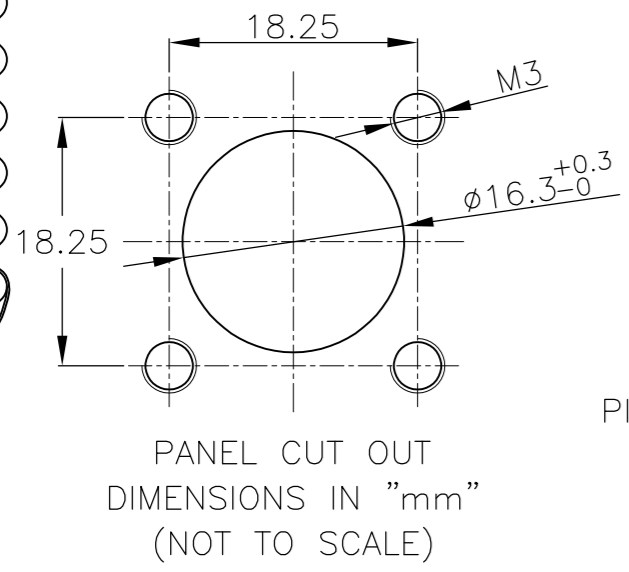
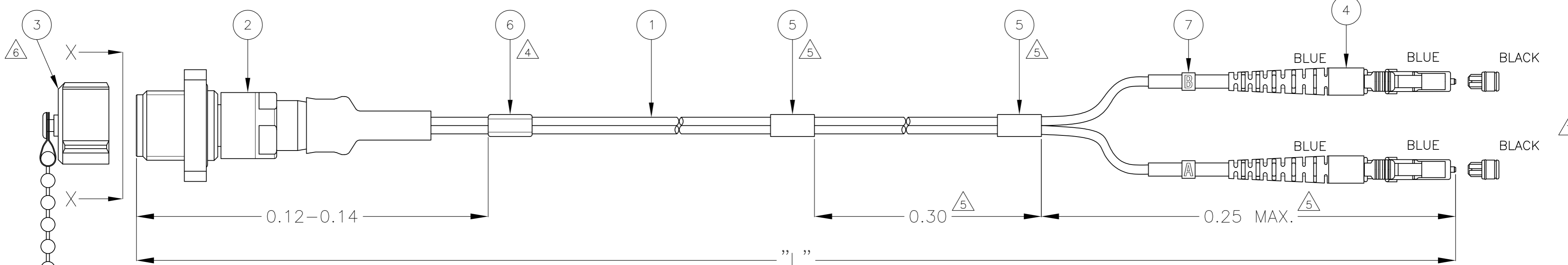


THIS DRAWING IS UNPUBLISHED. RELEASED FOR PUBLICATION
 © COPYRIGHT - By - ALL RIGHTS RESERVED.

LOC	DIST	REVISIONS			
P	LTR	DESCRIPTION	DATE	DWN	APVD
H	-				
B		ECR-11-005403	01APR2011	RC	AH



FIBER CONNECTIVITY	
ODC SOCKET	LC CONN.
PIN 1	A
PIN 2	B

UNIQUE SERIAL NUMBER: 290420071111111
 TE CONNECTIVITY PART NUMBER: 1-2064141-1
 ASSEMBLY LENGTH: 1.1 meter
 ORDER NUMBER: 0000056329

STANDARD LENGTHS ACCORDING TO CUSTOMER DRAWING 1985945	
PART NUMBER	"L" (meter) ³
X-2061218-Y	X.Y0

- NOTES:
- REFER TO TE CONNECTIVITY CUSTOMER DRAWING 2064160 FOR CABLE ASSEMBLY LOSS AND WAVELENGTHS THAT CABLE ASSEMBLY LOSS WILL BE TESTED TO
 - MINIMUM RETURN LOSS: 45 dB FOR BOTH ODC AND LC DUPLEX CONNECTOR RETURN LOSS WILL BE TESTED AT 1310 nm AND 1550 nm WAVELENGTHS
 - STANDARD LENGTHS AND LENGTH TOLERANCE ACC. TO TE CONNECTIVITY CUSTOMER DRAWING 1985945
 - INFORMATION ON LABEL SEE DETAIL:
 - BARCODE
 - UNIQUE SERIAL NUMBER
 - ASSEMBLY LENGTH
 - TE CONNECTIVITY PART NUMBER
 - TE CONNECTIVITY ORDER NUMBER
 - ONE PIECE OF ITEM 5 IS PLACED AT THE BREAKOUT POINT OF THE ASSEMBLY OTHER PIECES REPEATED AT APPROXIMATELY 0.30 METER FROM EACH OTHER
 - BREAKOUT DIMENSION DOES NOT APPLY FOR L < 0.4 METER
 - THE DUST CAP CHAIN WILL NOT BE ATTACHED TO THE CABLE
 - LENGTH DIFFERENCE BETWEEN LC CONNECTORS < 5 mm

Qty	Description	Item
2	LABEL "A" OR "B"	7
1	FOAC INFORMATION LABEL	6
AR	FOAC EXPANDABLE TUBING, BLACK	5
2	LC CONNECTOR ASSEMBLY, SINGLE MODE, BLUE	4
1	FOAC ODC CAP SOCKET PLASTIC WITH CHAIN	3
1	FOKIT ODC SOCKET ASSEMBLY, 2 FIBER, SINGLE MODE	2
L	FOCAB ODC 1.9 mm 2FOLD, SINGLE MODE 9/125, YELLOW	1

THIS DRAWING IS A CONTROLLED DOCUMENT.

DWN: R. COOLEN 07APR2009		NAME: A. HENGELMOLEN
CHK: A. HENGELMOLEN 07APR2009		PRODUCT SPEC: -
APVD: A. HENGELMOLEN 07APR2009		APPLICATION SPEC: -
		WEIGHT: -

FIBER OPTIC ODC LEAD
 2 FOLD SOCKET - LC/PC DUAL
 SINGLE MODE 9/125

SIZE: A2 CAGE CODE: 00779 DRAWING NO: 2064141 RESTRICTED TO: -

CUSTOMER DRAWING SCALE: NTS SHEET: 1 of 1 REV: B

ODC IS A TRADEMARK OF HUBER & SUHNER AG CORPORATION