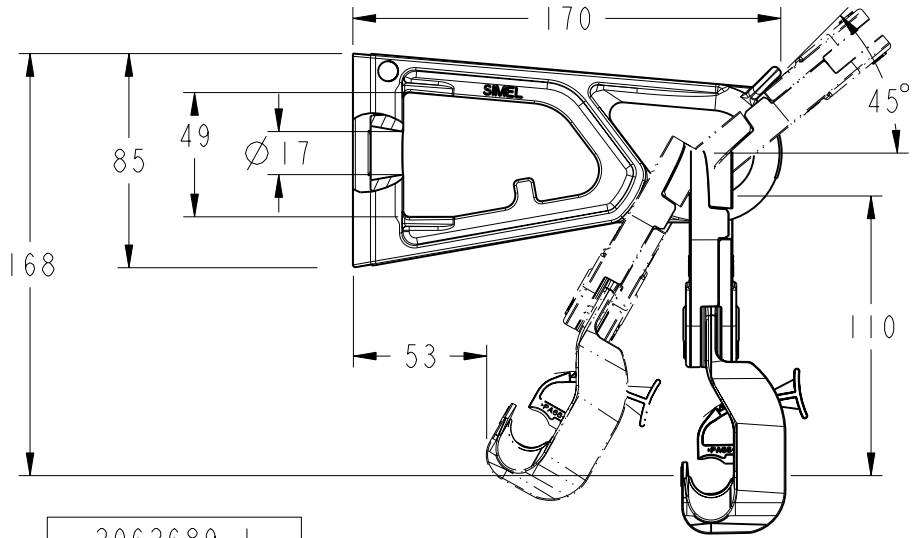
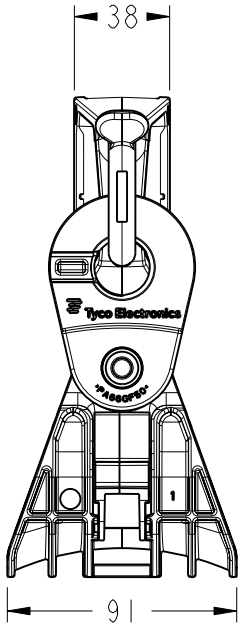


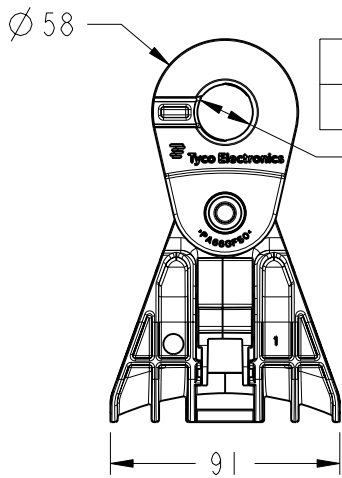
LOC  
FH

DIST  
00

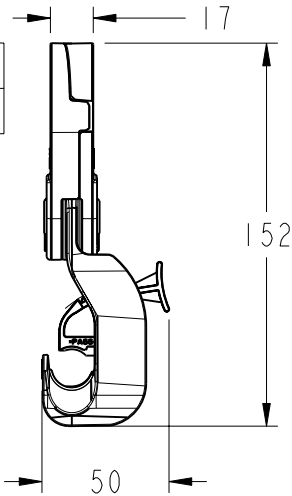
REVISIONS					
P	LTR REV	DESCRIPTION MODIFICATIONS	DATE	DWN DESS.	APVD APP.
	I	CREATION	09JUL2009	LP	AG
	A	CREATION -2	12NOV2009	BG	GN
	B	EQ00-0027-10	27/01/10	JB	RB



2062689-1  
PART NUMBER



2062689-2  
PART NUMBER



PS1500+LM 25-95	2062689-2	20	FROM 25 TO 95 MM <sup>2</sup> (Ø8.3 TO Ø16.3 MM)
ES1500 25-95	2062689-1	10	FROM 25 TO 95 MM <sup>2</sup> (Ø8.3 TO Ø16.3 MM)
DESCRIPTION	PART NUMBER	PACKING	AERIAL BUNDLE CABLE / NEUTRAL MESSENGER

TOLERANCES UNLESS  
OTHERWISE SPECIFIED:  
TOLERANCES NON SPECIFIEES: -

FINISH  
FINITION -

DIMENSIONS:

mm

DWN /DESSINE 09JUL2009  
L. PETRIGNET

MATERIAL  
MATIERE -

CHK /VERIFIE -  
F. HARDT



**Tyco Electronics**

SIMEL PRODUCTS

APVD /APPROUVE -  
G. NEDELLEC

PRODUCT SPEC  
SPEC. PRODUIT -

NAME  
TITRE

ENSEMBLE DE SUSPENSION

ES 1500 25-95

APPLICATION SPEC  
SPEC. APPLICATION -

SIZE  
FORMAT

A4

CAGE CODE -

DRAWING NO  
No PLAN

©-2062689

RESTRICTED TO  
RESERVE A -

WEIGHT  
MASSE APPROX. 388 g

CUSTOMER DRAWING /PLAN CLIENT

UNIQUEMENT  
POUR REFERENCE

SCALE  
ECHELLE 1:3

SHEET  
FEUILLE 1

OF  
DE 1

REV B

20

RELEASED FOR PUBLICATION  
LIBRE A LA DIFFUSION

BY TYCO ELECTRONICS CORPORATION ALL RIGHTS RESERVED.  
TOUS DROITS RESERVES.

THIS DRAWING IS UNPUBLISHED.  
DIFFUSION RESTREINTE

© COPYRIGHT 20

TOLERANCES UNLESS  
OTHERWISE SPECIFIED:  
TOLERANCES NON SPECIFIEES  
(SUIVANT DE DECIMALES):

- 0 PLC /DEC: ±0
- 1 PLC /DEC: ±0
- 2 PLC /DEC: ±0
- 3 PLC /DEC: ±0
- 4 PLC /DEC: ±0

ANGLES ±-

