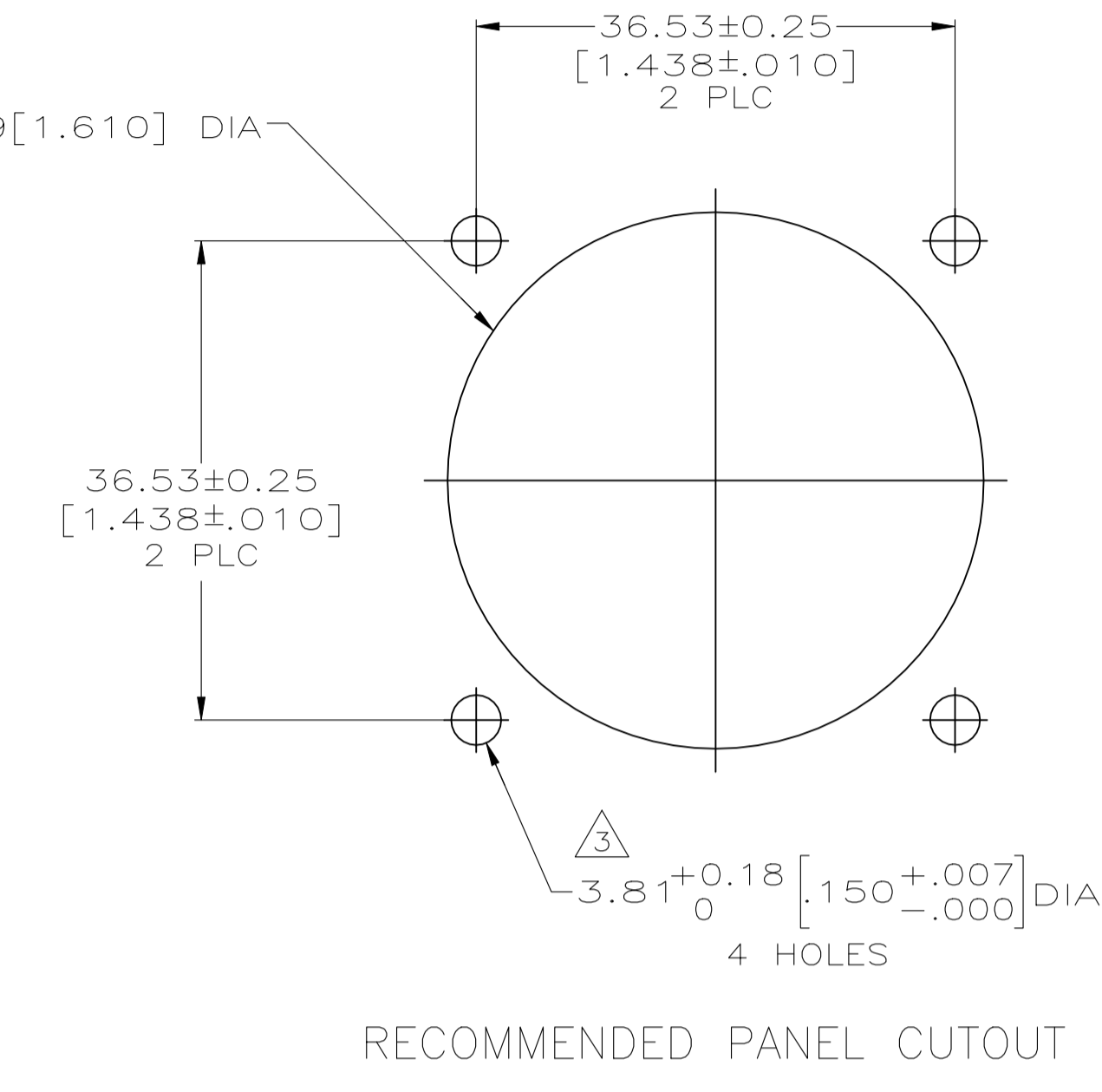
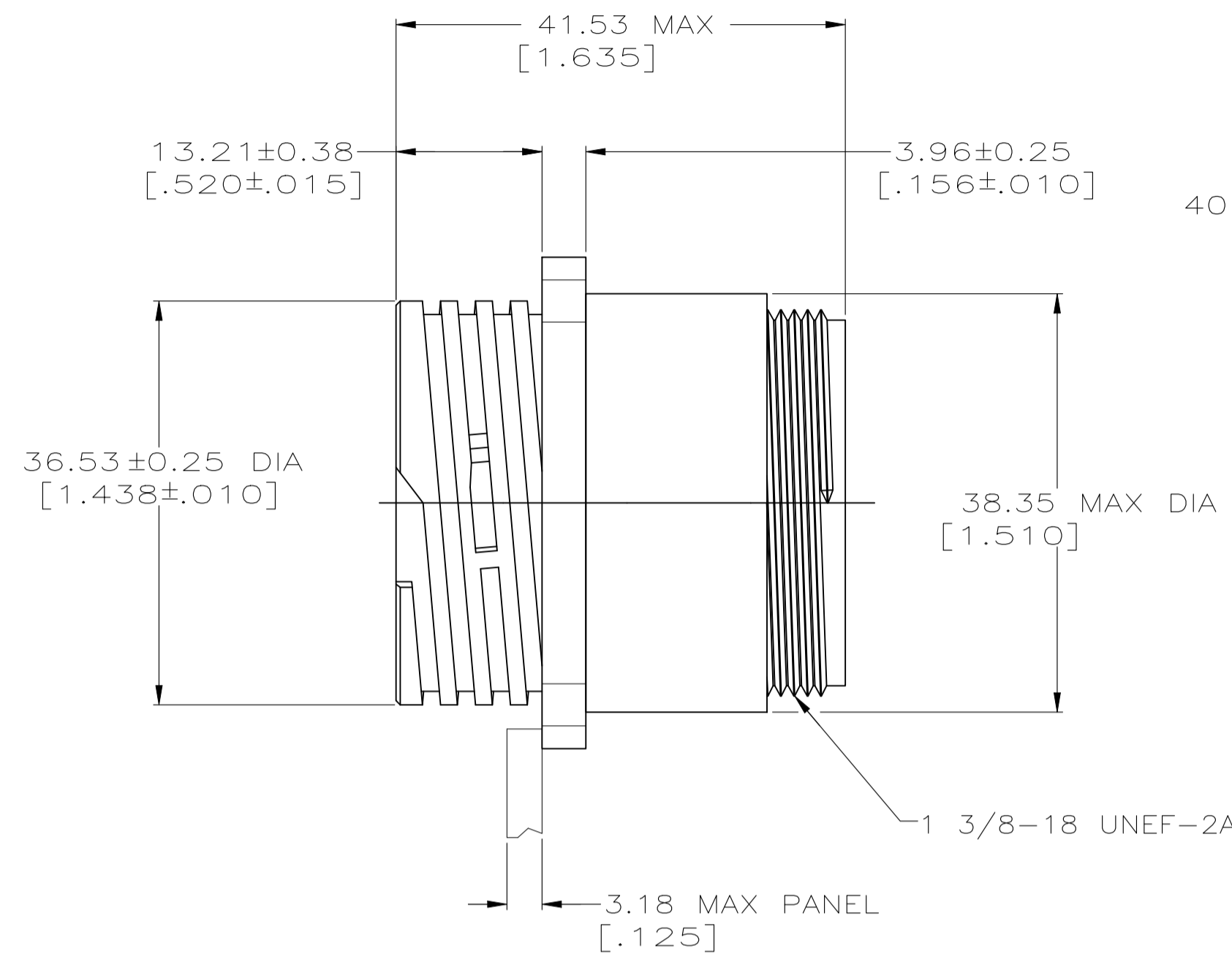
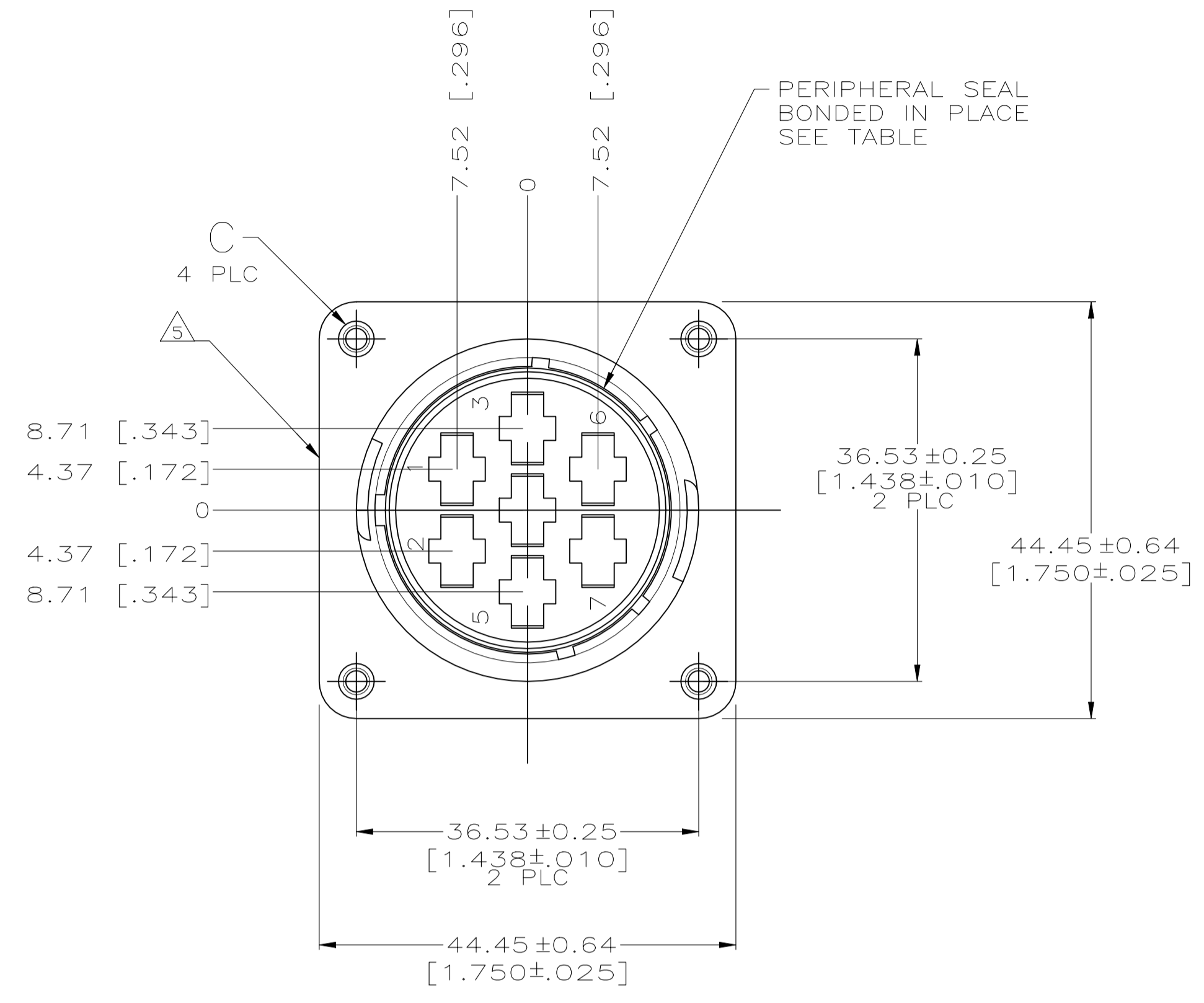
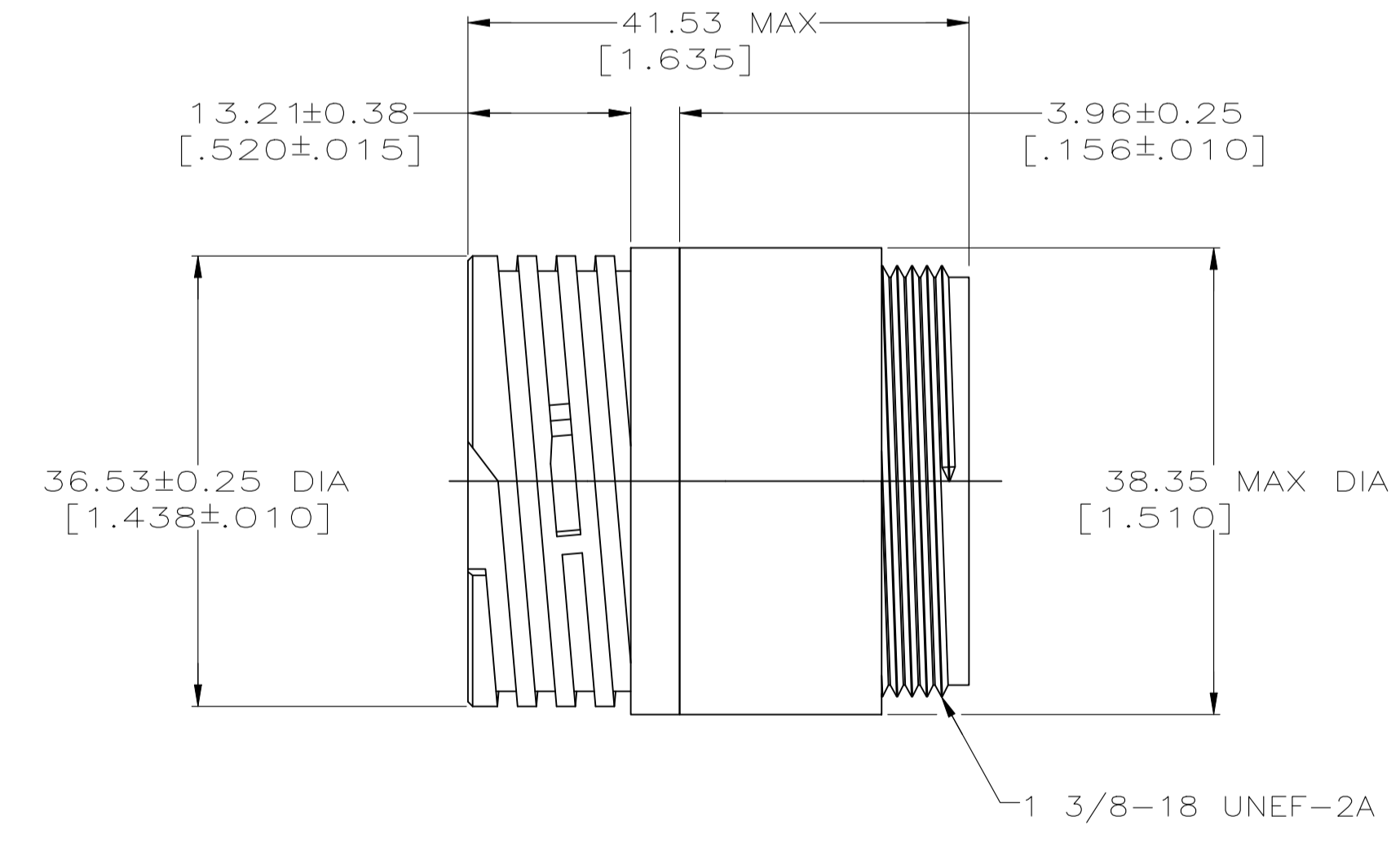
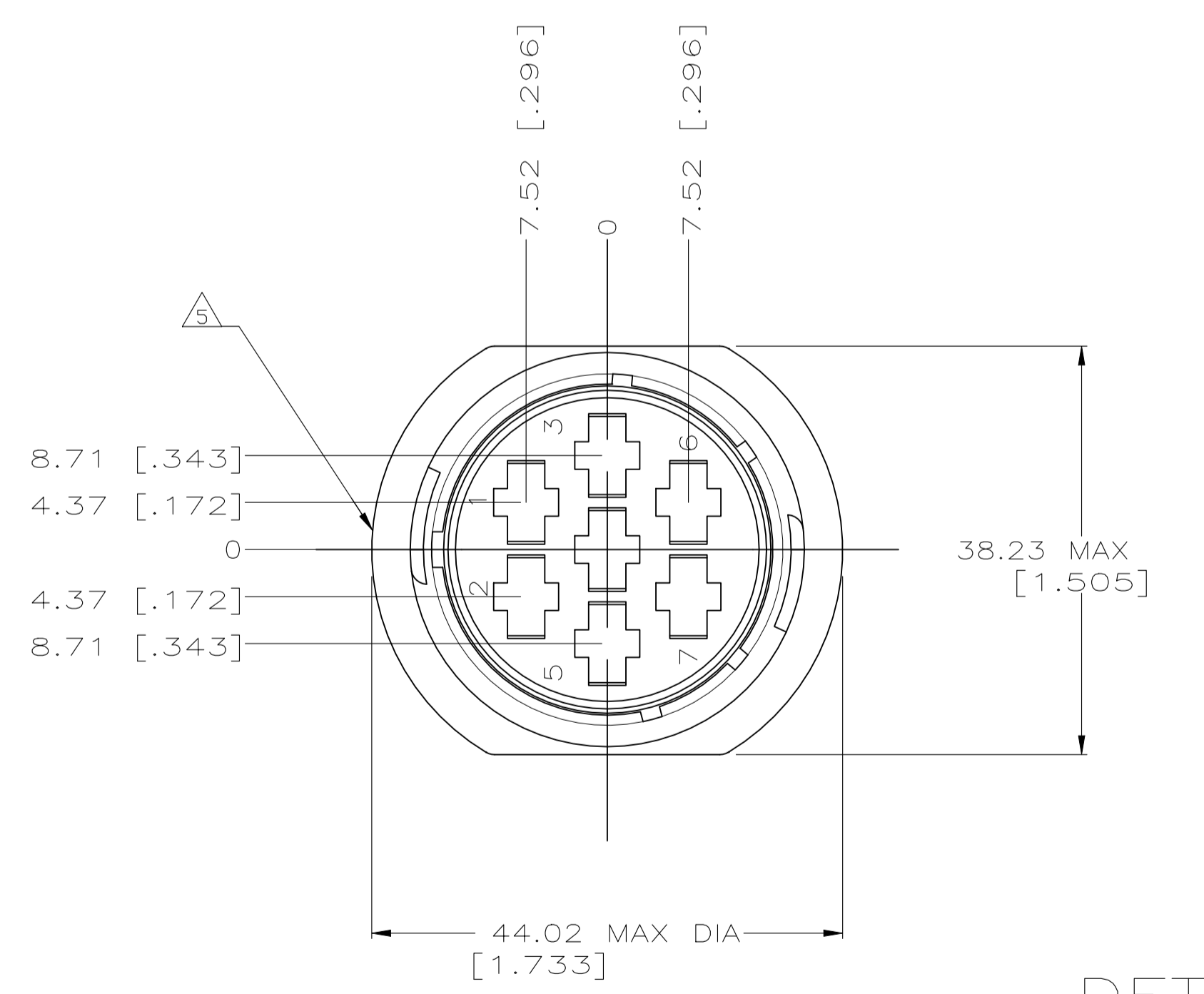


REVISIONS				
P	LTR	DESCRIPTION	DATE	APPROV
N		REVISED PER ECO-21-006944	12OCT2021	RK MZ



DETAIL A



DETAIL B

4-40 THREADED INSERTS	NO	A	206227-6
	YES	A	206227-5
	NO	B	206227-2
	NO	A	206227-1

1. CAVITY IDENTIFICATION ON FRONT AND REAR FACE.
  2. WILL ACCEPT SEVEN (7) TYPE XII SOCKET CONTACTS.
- 5 #4 FASTENER RECOMMENDED FOR MOUNTING.
  - 4 OBSOLETE PARTS: OBSOLETE CIS STREAMLINING PER D.RENAUD/D.SINISI
  - 5 TE LOGO AND PART NUMBER LOCATED ON ANY FLANGE EDGE

THIS DRAWING IS A CONTROLLED DOCUMENT.		DIN D. HARDY 05/31/94		TE Connectivity	
DIMENSIONS: mm[INCHES]		TOLERANCES UNLESS OTHERWISE SPECIFIED:		APPROVED: W.G. LENKER 06/08/94	
0 PLC ± -		1 PLC ± -		NAME: FRANTUM 07/13/94	
2 PLC ± 0.13 [.005]		3 PLC ± -		PRODUCT SPEC: 108-10024	
4 PLC ± -		ANGLES ± -		APPLICATION SPEC: -	
MATERIAL: NYLON, BLACK		FINISH: -		SIZE: A1	
WEIGHT: -		DRAWING NO: 00779		RESTRICTED TO: -	
CUSTOMER DRAWING		SCALE: 2:1		SHEET 1 of 1 REV N	