

DRAWING MADE IN THIRD ANGLE PROJECTION

3

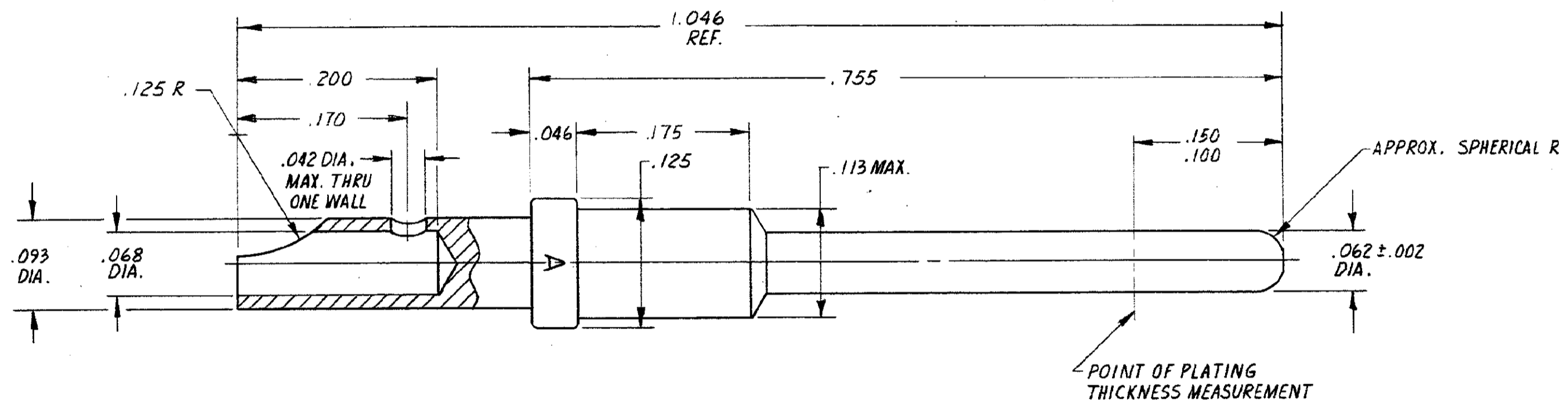
2

1

LOC R DIST 39

THIS DRAWING IS UNPUBLISHED. RELEASED FOR PUBLICATION 19
 © COPYRIGHT 19 BY AMP INCORPORATED, HARRISBURG, PA. ALL INTERNATIONAL RIGHTS RESERVED. AMP PRODUCTS MAY BE COVERED BY U.S. AND FOREIGN PATENTS AND/OR PATENTS PENDING.

REVISIONS						
P	F	ZONE	LTR	DESCRIPTION	DATE	APPROVED
1	✓	0		RELEASED	3-27-84	MS JB



1. SOLDER CUP AREA MEETS SOLDERABILITY REQUIREMENTS OF AMP SPEC 109-11-1.

206211

AS SHOWN	206211-2
REMARKS	PART NO

UNLESS OTHERWISE SPECIFIED DIMENSIONS ARE IN INCHES. TOLERANCES ON: DECIMALS $\pm .005$ ANGLES $\pm .005$	CONTRACT NO	AMP AMP INCORPORATED Harrisburg, Pa. 17105	
	DRG APPD <i>J. Shroy</i> 3-27-84 CHK <i>J. Boullianne</i> 3-27-84 APPD <i>J. Boullianne</i> 3-27-84 APPD <i>J. Boullianne</i> 3/27/84	NAME	PIN CONTACT, SIZE 16, WITH SOLDER CUP
	MATERIAL	SIZE	FSCM NO
COPPER ALLOY	C	00779	206211
FINISH	OTHER APPD	SCALE	SHEET 1 OF 1
.000050 MIN. GOLD PER MIL-G-45204 OVER .000030 MIN. NICKEL PER QQ-N-290			