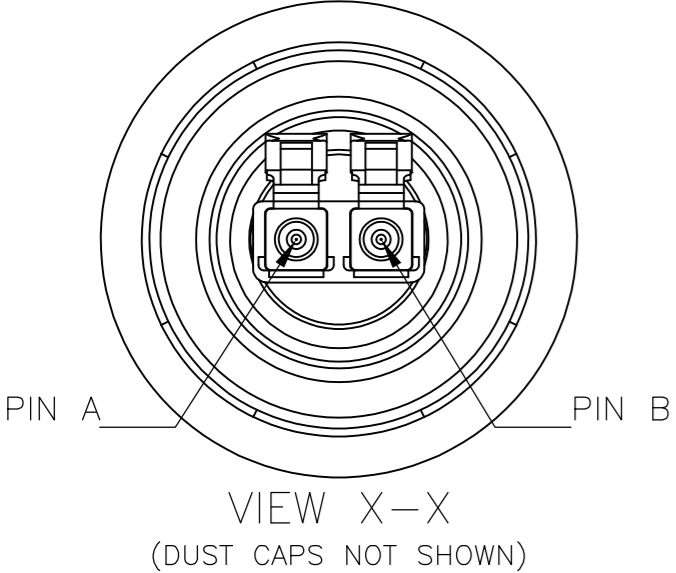
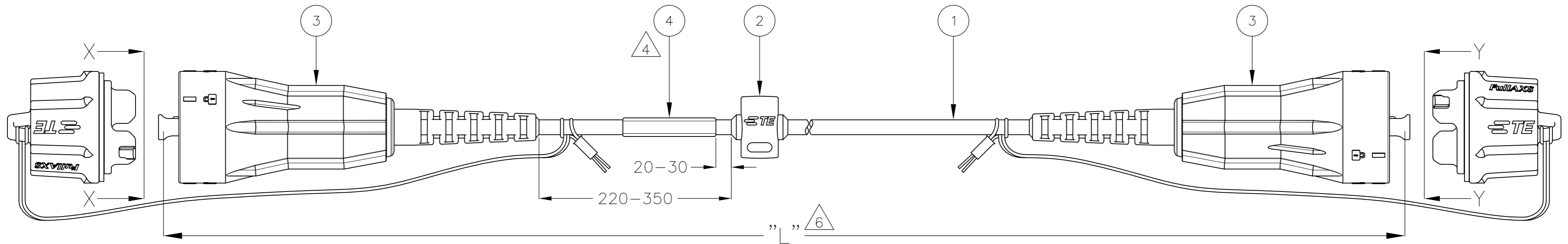
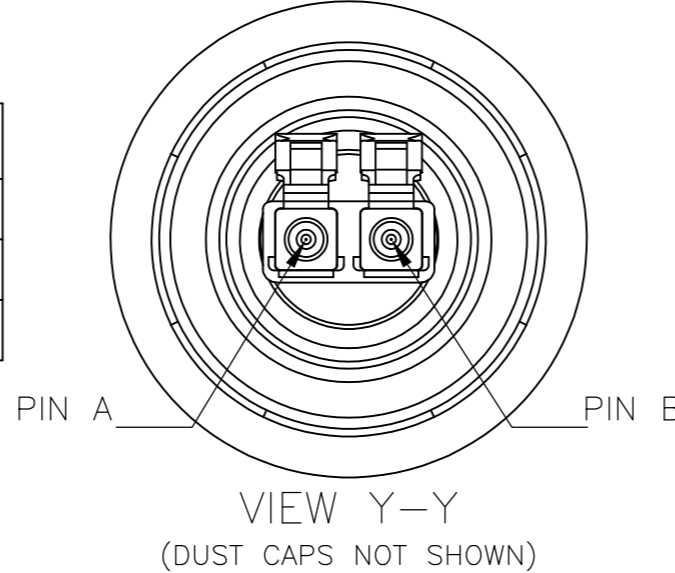


THIS DRAWING IS UNPUBLISHED. RELEASED FOR PUBLICATION
 © COPYRIGHT - By - ALL RIGHTS RESERVED.

LOC		DIST		REVISIONS			
P	LTR	DESCRIPTION	DATE	DWN	APVD		
1		FIRST PRELIMINARY ISSUE	03FEB2014	RC	JM		



ASSEMBLY CONNECTIVITY	
FULLAXS LC	FULLAXS LC
PIN A	PIN B
PIN B	PIN A



STANDARD LENGTHS ACCORDING TO TE CUSTOMER DRAWING 2061719	
PART NUMBER	"L" (meter) ⁶
X-2061847-Y	XY.0

NOTES:

- THIS ASSEMBLY IS DESIGNED TO BE IP67 RATED
- MAXIMUM CONNECTOR ATTENUATION 0.3 dB, MEASURED AT 1310 nm AND 1550 nm ACCORDING TO I.E.C. 61300-3-4 INSERTION METHOD B
- MINIMUM RETURN LOSS 45 dB, IN MATED CONDITION AGAINST REFERENCE CONNECTOR AT 1310 nm AND 1550 nm
- INFORMATION ON LABEL, SEE DETAIL FOR EXAMPLE
 - BARCODE
 - UNIQUE TE SERIAL NUMBER
 - ASSEMBLY LENGTH
 - TE CONNECTIVITY PART NUMBER & ORDER NUMBER
- CABLE INFORMATION:
 - CORE DIAMETER: 9/125 μm (2x)
 - OUTER JACKET DIAMETER: 4.8 mm
 - OUTER JACKET COLOUR: BLACK
 - OUTER JACKET MATERIAL: HALOGEN FREE FLAME RETARDANT
 - CABLE ATTENUATION: 0.40 dB/km @ 1310 nm OR 0.25 dB/km @ 1550 nm
- LENGTH MEASURED TO TIP OF FULLAXS LC FERRULES
- DO NOT CUT ASSEMBLY INTO TWO PIGTAILS

DESIGN APPROVED THIS PRINT IS
PRELIMINARY
 TO FIRST PIECE APPROVAL CONTACT PRODUCT ENGINEERING BEFORE USING THIS PRINT

⁴ LABEL DETAIL:



Qty	Description	Item
1	INFORMATION LABEL	4
2	FULLAXS OVERMOLDED LC DUPLEX PLUG ASSEMBLY, SM, BLACK	3
1	FULLAXS OVERMOLDED DROP PROTECTION, BLACK	2
L	FOCAB Ø4.8 mm, 2FOLD, SINGLE MODE G657A2, BLACK	1

THIS DRAWING IS A CONTROLLED DOCUMENT.		DWN R. COOLEN 27JAN2014	STE TE Connectivity	
DIMENSIONS: mm		CHK -		
TOLERANCES UNLESS OTHERWISE SPECIFIED:		APVD J. MEYHOFER	NAME	
0 PLC	± -	PRODUCT SPEC	FIBER OPTIC LEAD 4.8 mm	
1 PLC	± -	APPLICATION SPEC	FULLAXS LC/DPX - FULLAXS LC/DPX, IP67	
2 PLC	± -	WEIGHT -	SIZE A2	CAGE CODE 00779
3 PLC	± -	CUSTOMER DRAWING	DRAWING NO C=2061847	RESTRICTED TO -
4 PLC	± -	SCALE NTS	SHEET 1 of 1	REV 1
ANGLES	± -			
FINISH	-			