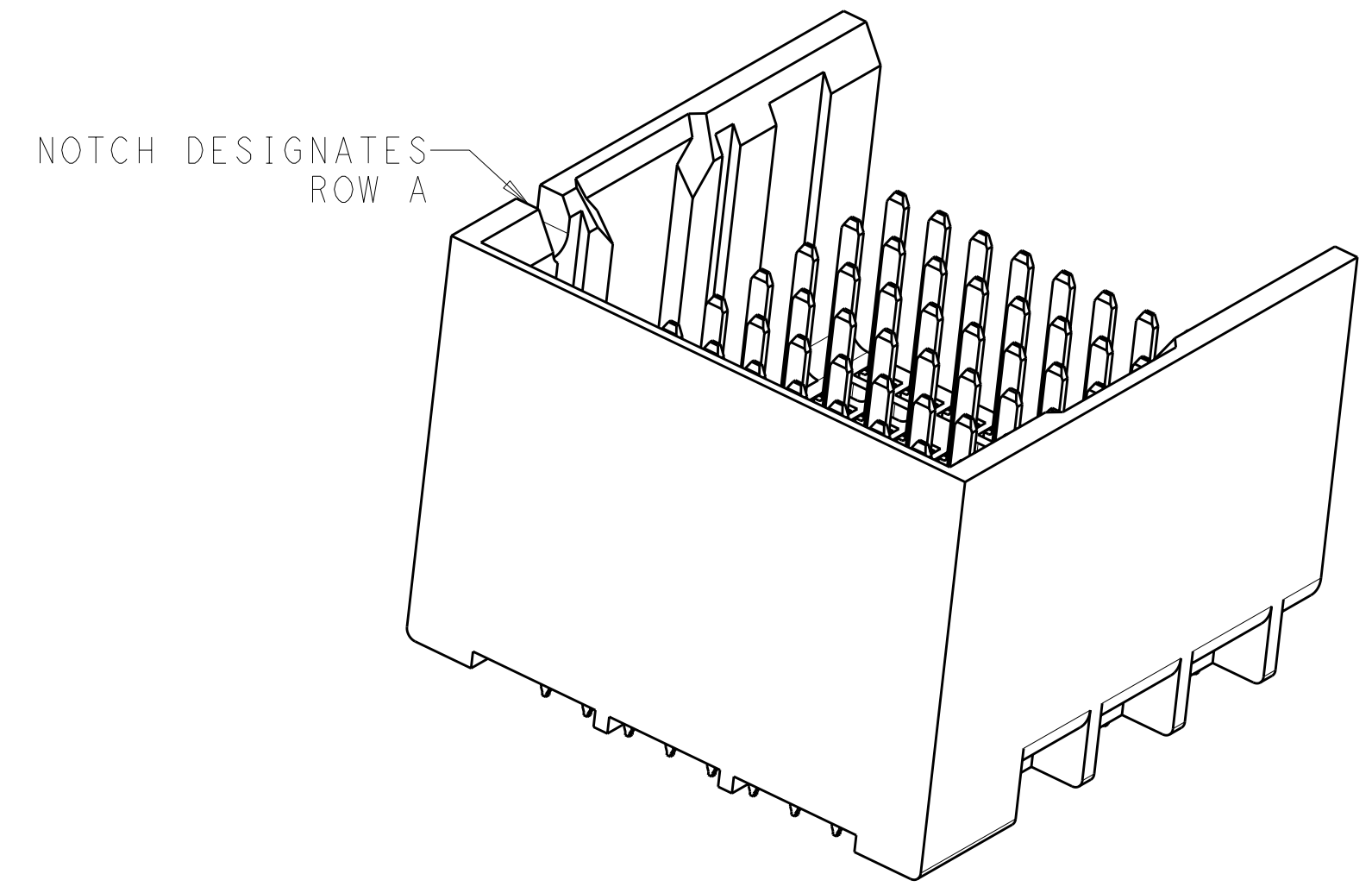
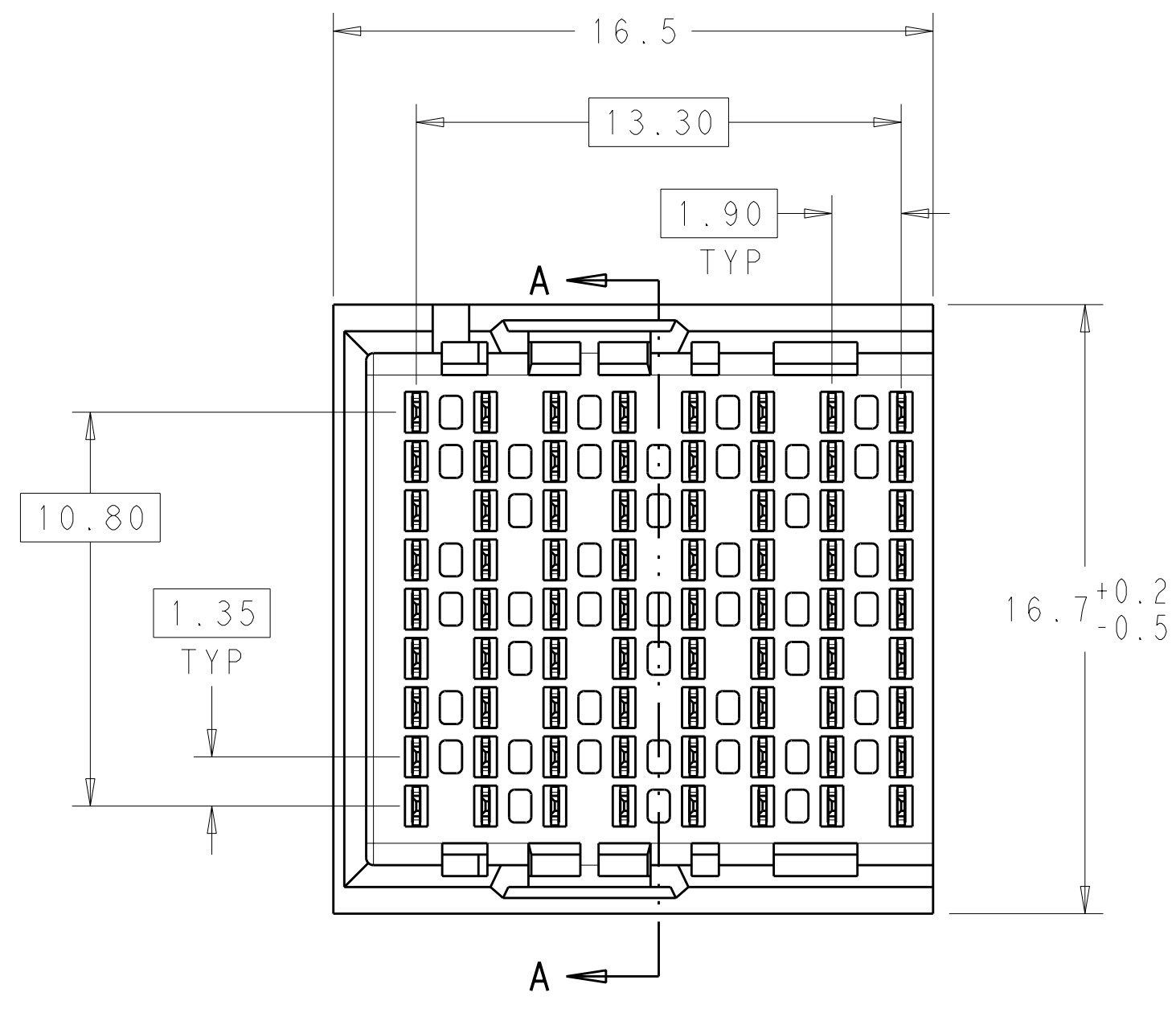
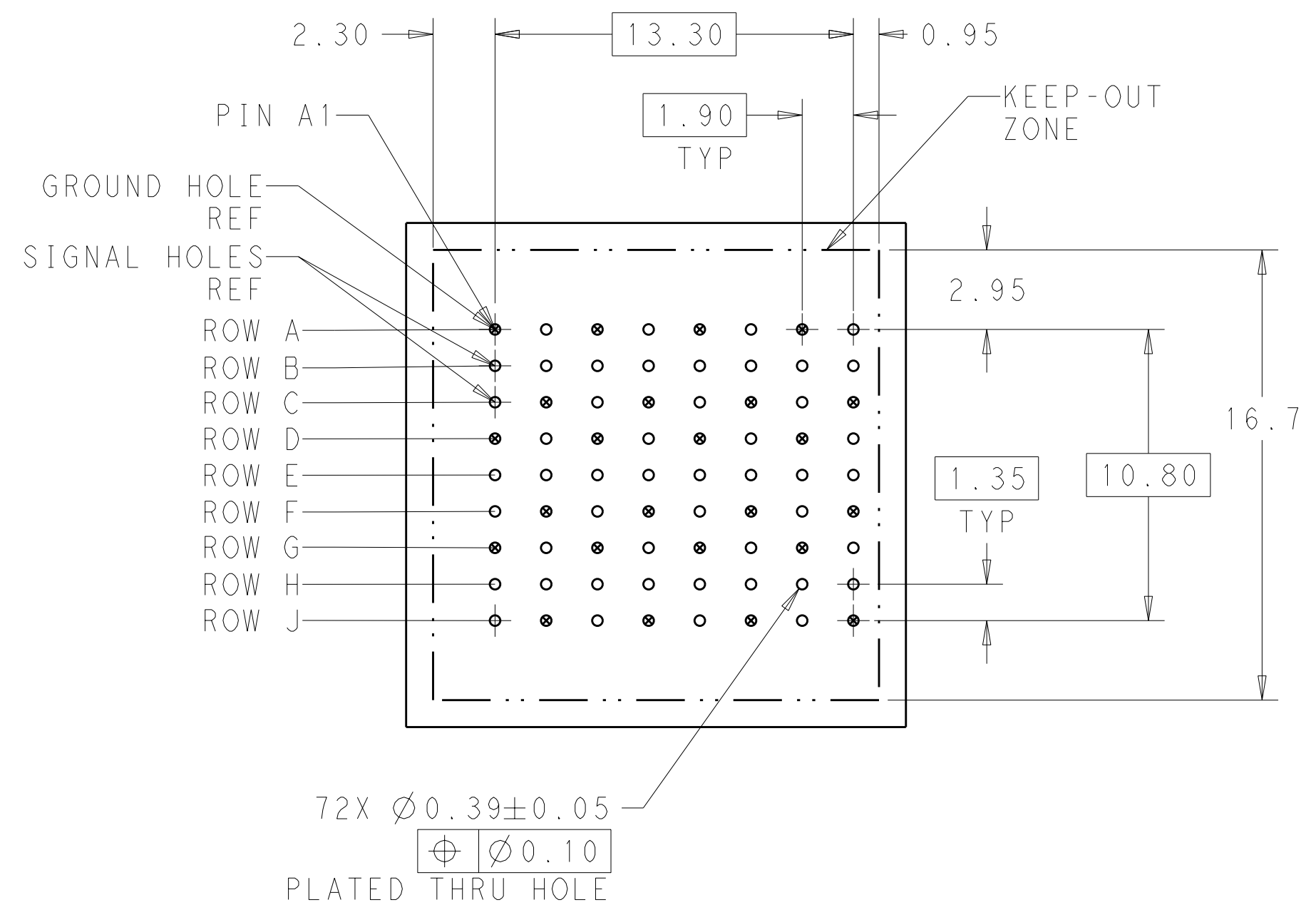


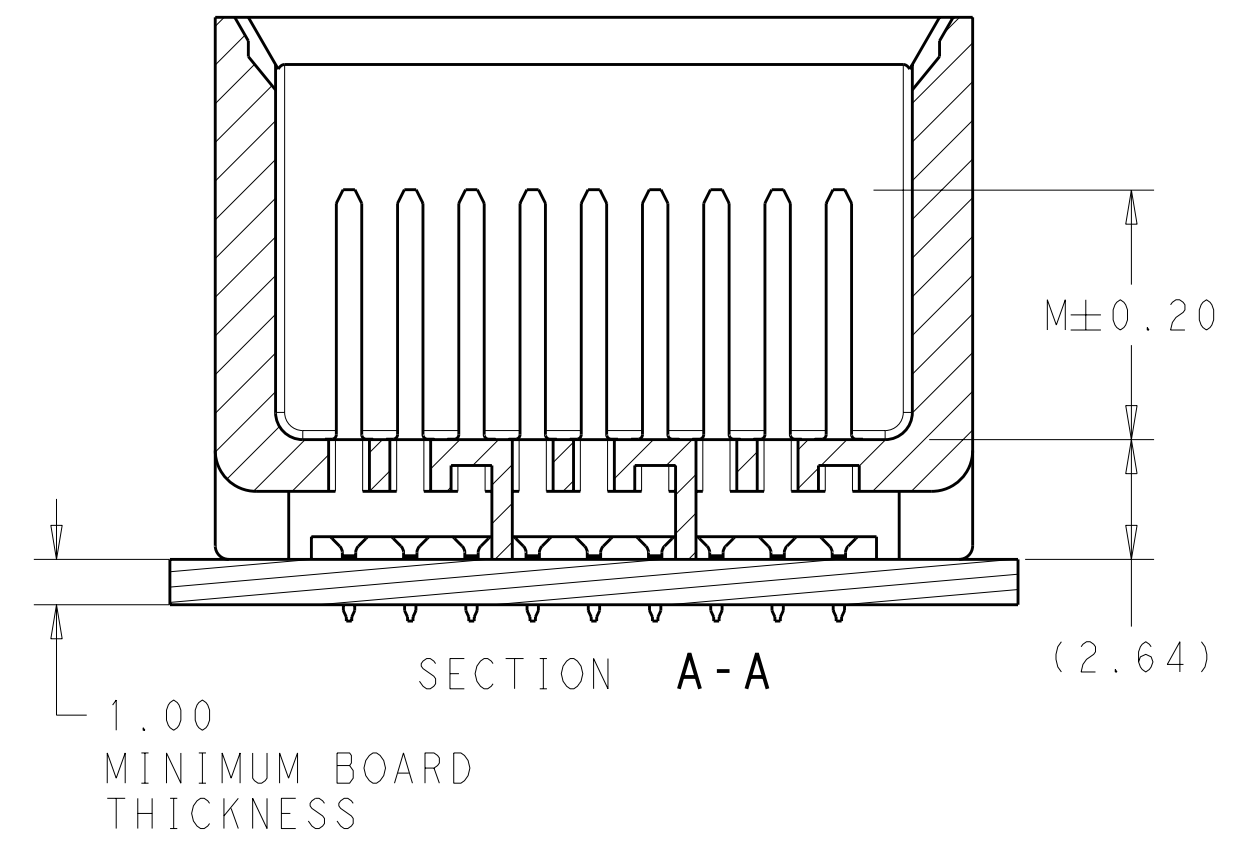
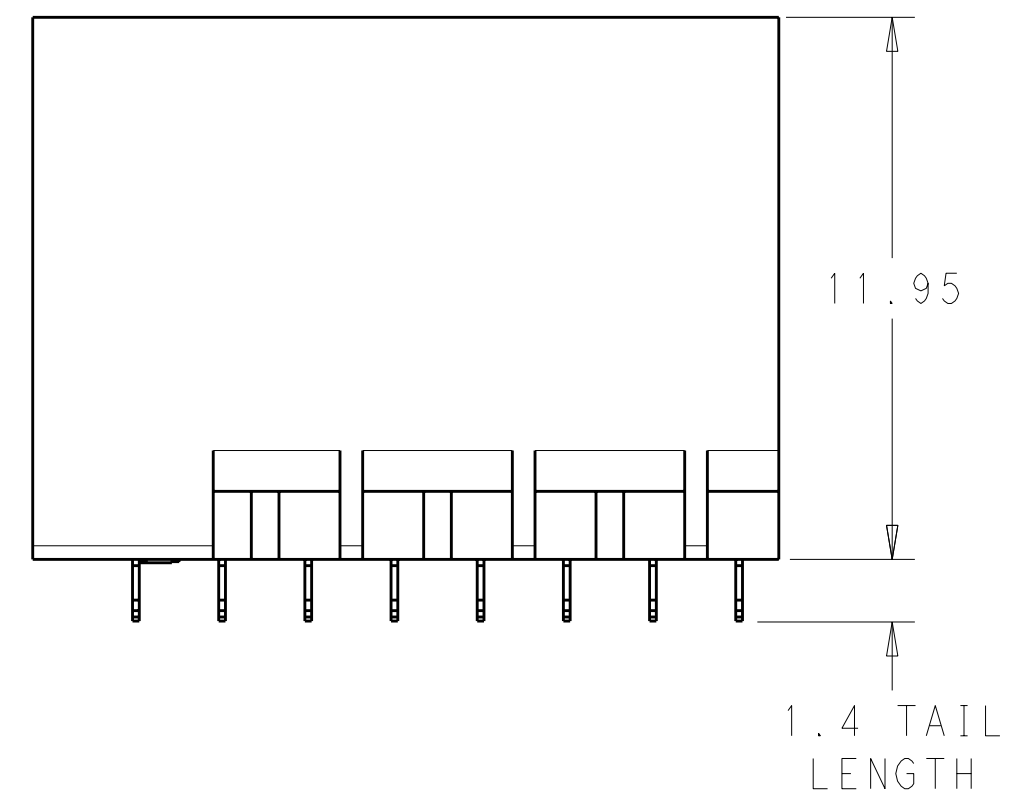
LOC	DIST	REV	DATE	BY	APPD
AD	00	C	05JAN2012	KH	DY
REVISIONS			DESCRIPTION	DATE	DWN
			REVISD PER ECO-11-025276	05JAN2012	KH



- 1 MATERIAL:
HOUSING: LCP, GLASS FILLED, UL94V-0.
TERMINALS: HIGH PERFORMANCE COPPER ALLOY.
- 2 FINISH:
30µ" MIN GOLD IN CONTACT AREA. SELECTIVE TIN ON PCB TAILS, NICKEL OVERALL.
- 3 FINISH:
30µ" MIN GOLD IN CONTACT AREA. SELECTIVE TIN-LEAD ON PCB TAILS, NICKEL OVERALL.



UNGUIDED BACKPLANE HOLE PATTERN (CONNECTOR SIDE)



THIS DRAWING IS A CONTROLLED DOCUMENT.		DWN J. K. SHOBER 11JAN2011	TE Connectivity
DIMENSIONS: mm		CHK J. EARY 11JAN2011	
TOLERANCES UNLESS OTHERWISE SPECIFIED:		APVD J. EARY 11JAN2011	NAME
0 PLC ±	1 PLC ±0.25	PRODUCT SPEC	IMPACT, 3 PAIR, 8 COLUMN, HEADER
2 PLC ±0.13	3 PLC ±	APPLICATION SPEC	UNGUIDED, LEFT END WALL
4 PLC ±	ANGLES ±	WEIGHT	SIGNAL MODULE, 0.39 PTH
MATERIAL	FINISH SEE TABLE	SCALE 6:1	RESTRICTED TO
CUSTOMER DRAWING		SIZE CAGE CODE DRAWING NO	A100779C=2057765
		SHEET 1 OF 2	REV C

THIS DRAWING IS UNPUBLISHED. RELEASED FOR PUBLICATION 20
 © COPYRIGHT 20 . . . ALL RIGHTS RESERVED.

LOC	DIST	REVISIONS					
AD	00	P	LTB	DESCRIPTION	DATE	DWN	APVD
		-	-	SEE SHEET 1	-	-	-

\triangle_3	5.5	2057765-6
\triangle_3	4.9	2057765-5
\triangle_3	4.5	2057765-4
\triangle_2	5.5	2057765-3
\triangle_2	4.9	2057765-2
\triangle_2	4.5	2057765-1
FINISH	DIM M	PART NUMBER

REFER TO WWW.TE.COM
FOR PRODUCT AVAILABILITY

DIMENSIONS:		TOLERANCES UNLESS OTHERWISE SPECIFIED:		DWN		CHK		APVD		NAME	
mm	0 PLC ±	1 PLC ±0.25	2 PLC ±0.13	3 PLC ±	4 PLC ±	J. K. SHOBER	J. EABY	J. EABY	J. EABY	TE Connectivity	IMPACT, 3 PAIR, 8 COLUMN, HEADER UNGUIDED, LEFT END WALL SIGNAL MODULE, 0.39 PTH
	ANGLES	FINISH	SEE TABLE	PRODUCT SPEC	APPLICATION SPEC	11JAN2011	11JAN2011	11JAN2011	11JAN2011	SIZE	CAGE CODE
MATERIAL	WEIGHT	CUSTOMER DRAWING		A100779C=2057765		RESTRICTED TO		SCALE		SHEET	
-	-	-		-		-		5:1		2 OF 2	
										REV	C