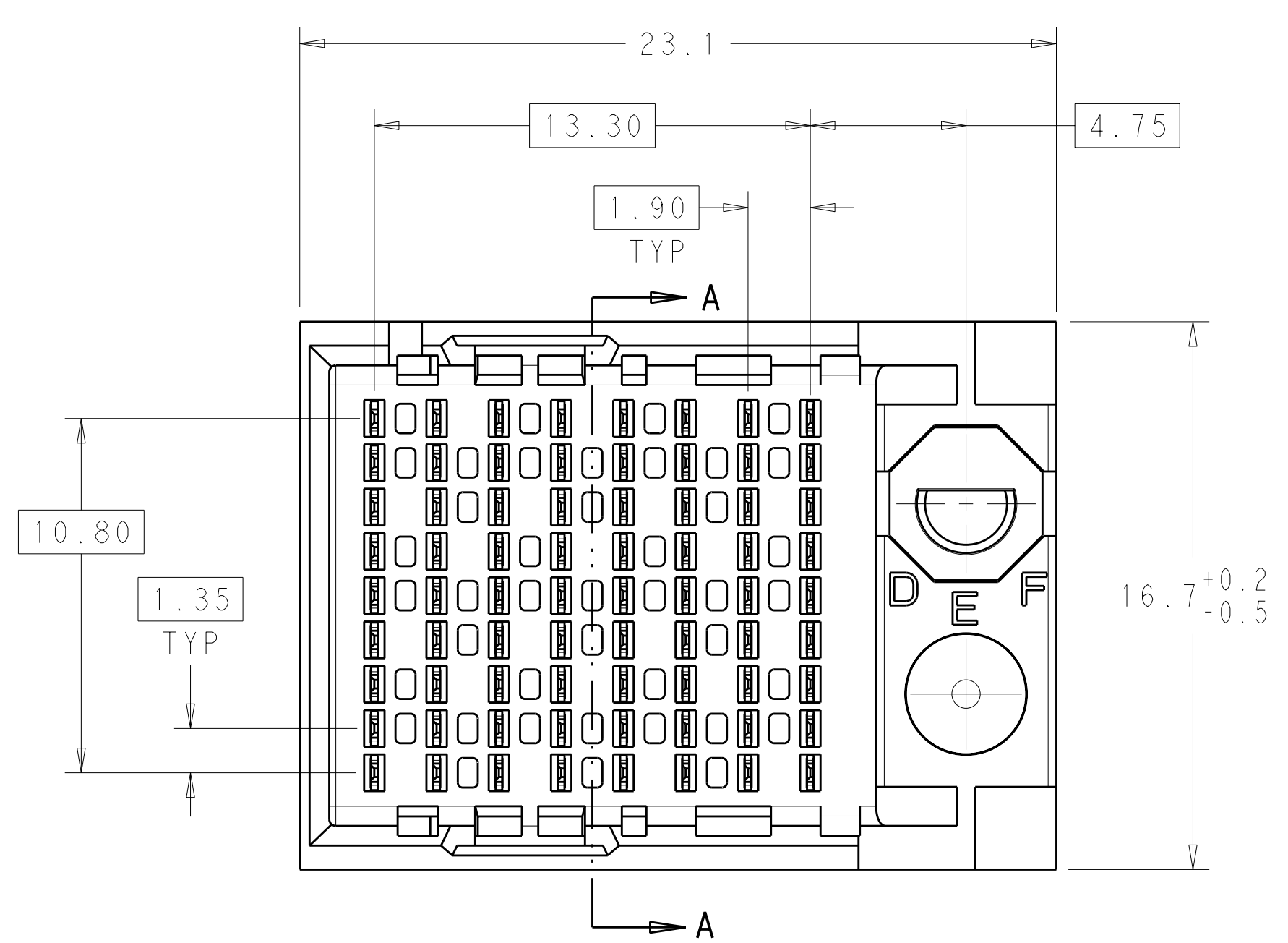
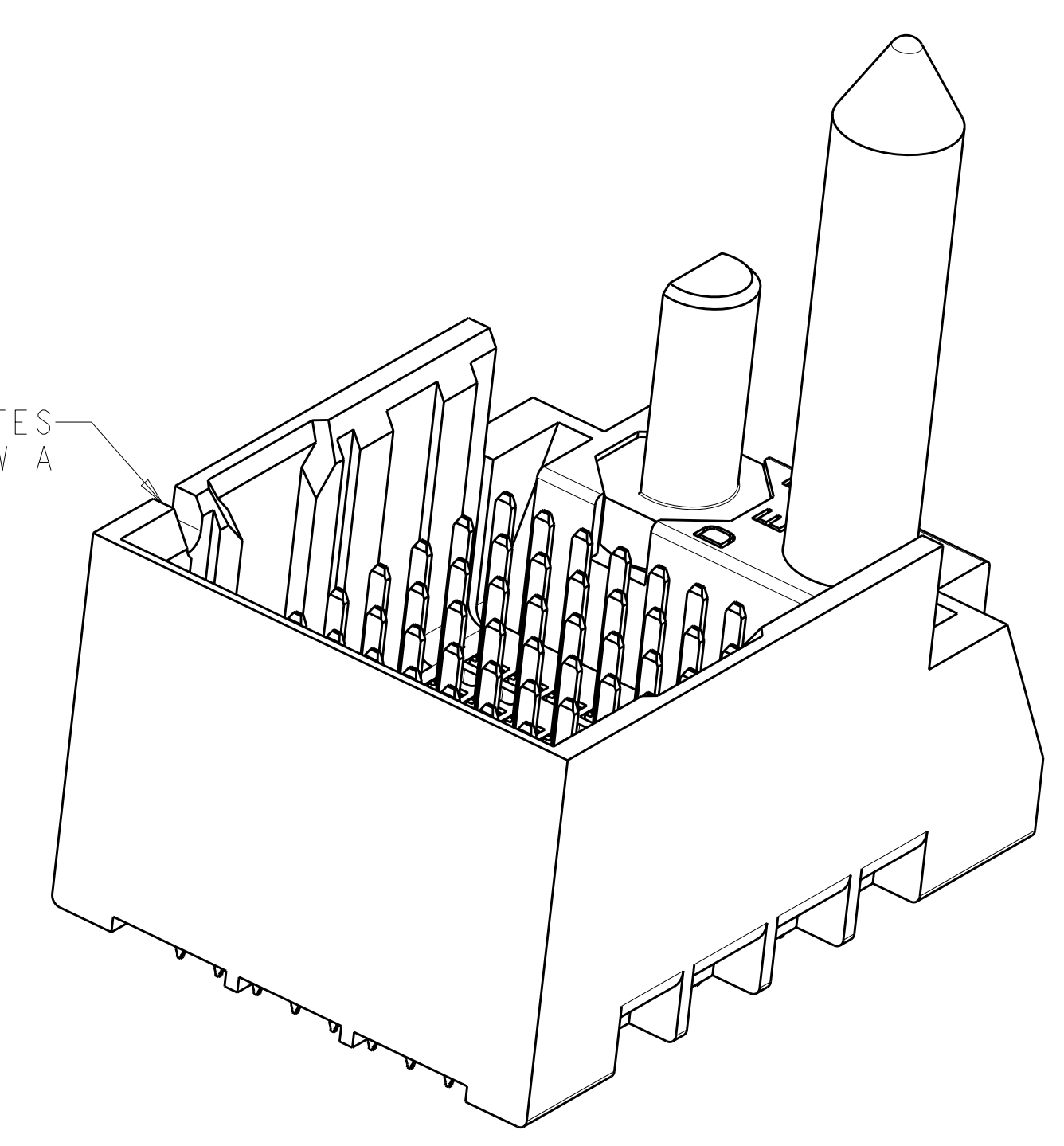


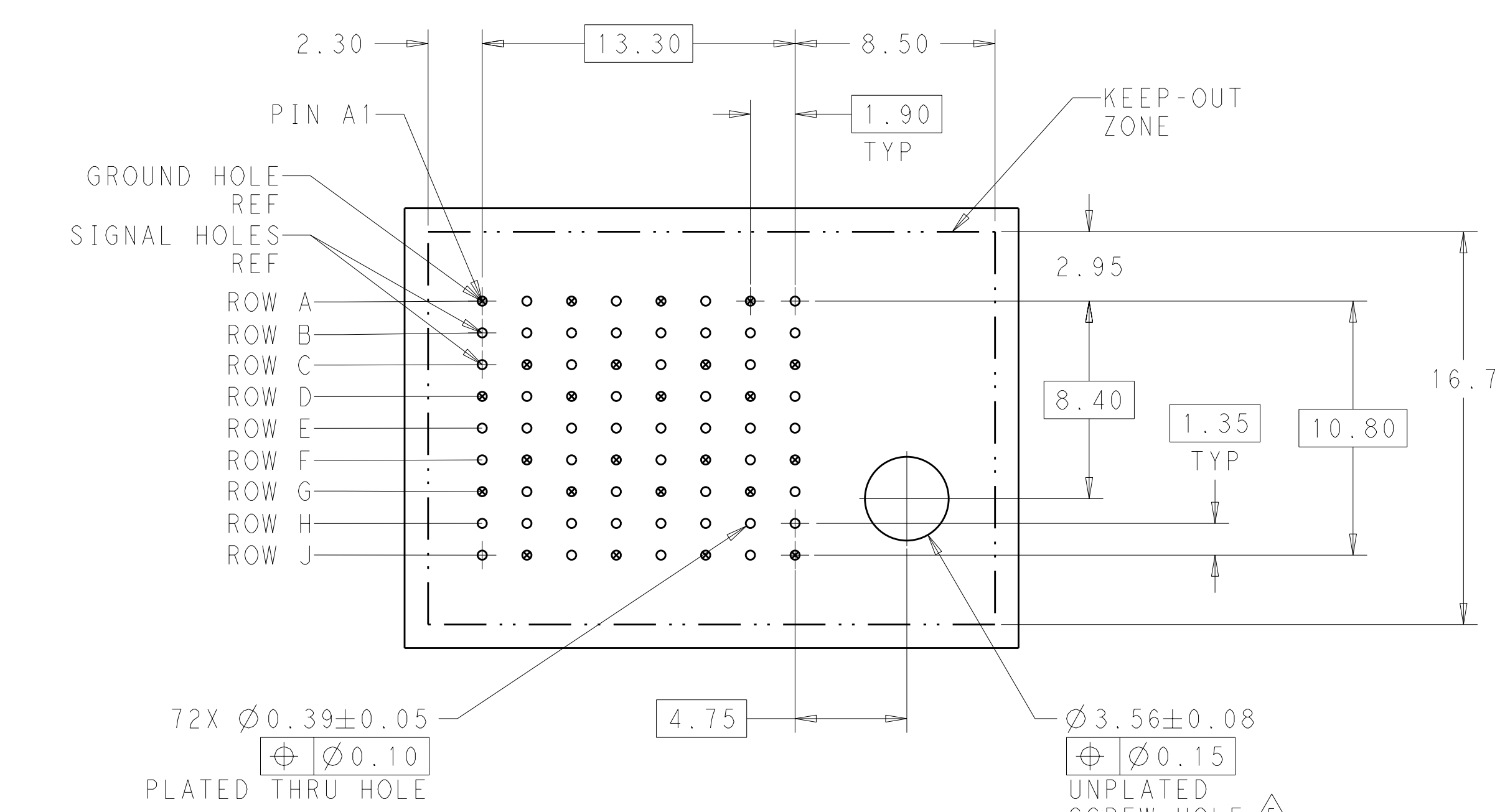
LOC		DIST		REVISIONS			
AD	00	REV	DATE	BY	CHK	APPD	DATE
		C	05JAN12				
				REVISIION DESCRIPTION			
				REVISED PER ECO-11-025276			



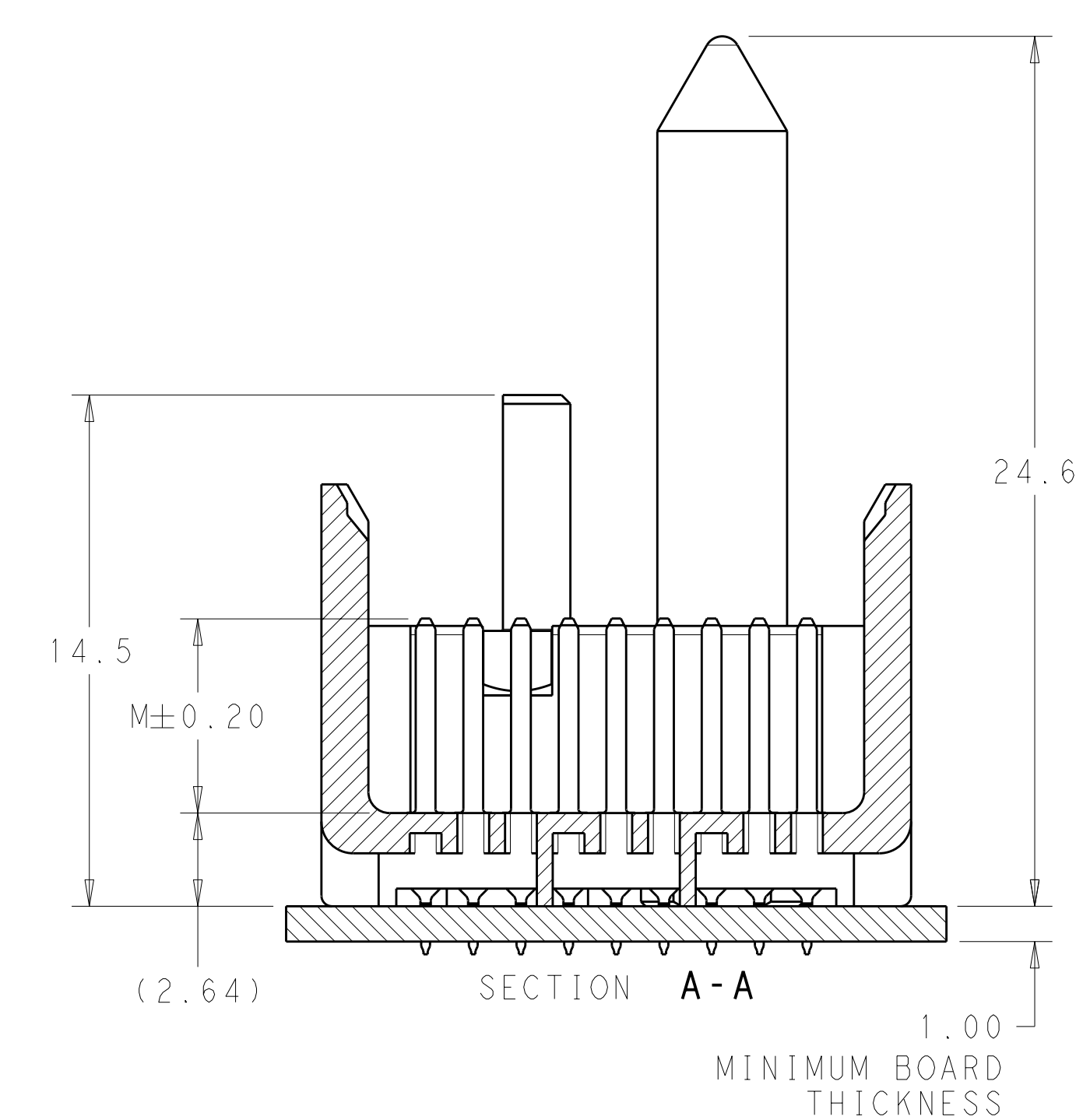
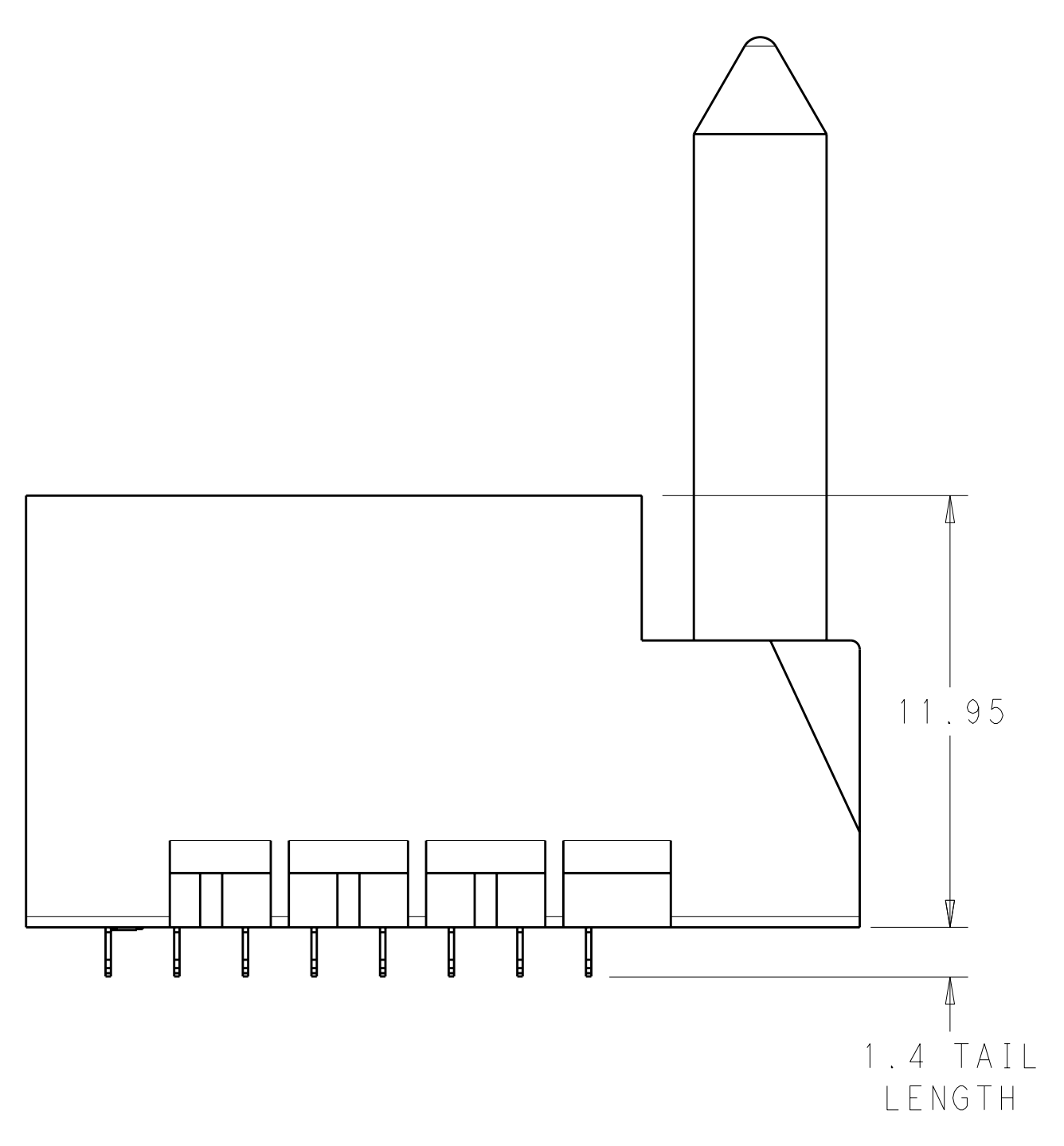
NOTCH DESIGNATES ROW A



- 1 MATERIAL:
HOUSING: LCP, GLASS FILLED, UL94V-0.
TERMINALS: HIGH PERFORMANCE COPPER ALLOY.
- 2 FINISH:
30µ" MIN GOLD IN CONTACT AREA. SELECTIVE TIN ON PCB TAILS, NICKEL OVERALL.
- 3 FINISH:
30µ" MIN GOLD IN CONTACT AREA. SELECTIVE TIN-LEAD ON PCB TAILS, NICKEL OVERALL.
- 4. SCREWS PACKAGED IN END OF PACKAGING TUBE.
- 5 FOR GROUNDED GUIDE PIN USE Ø3.56±0.08 PTH, Ø3.66 DRILL, AND Ø6.5 PAD.
- 6. KEYING PIN SHOWN IN POSITION A, SEE KEYING CHART ON SHEET 2 FOR OTHER POSITIONS.



RIGHT GUIDED BACKPLANE HOLE PATTERN (CONNECTOR SIDE)

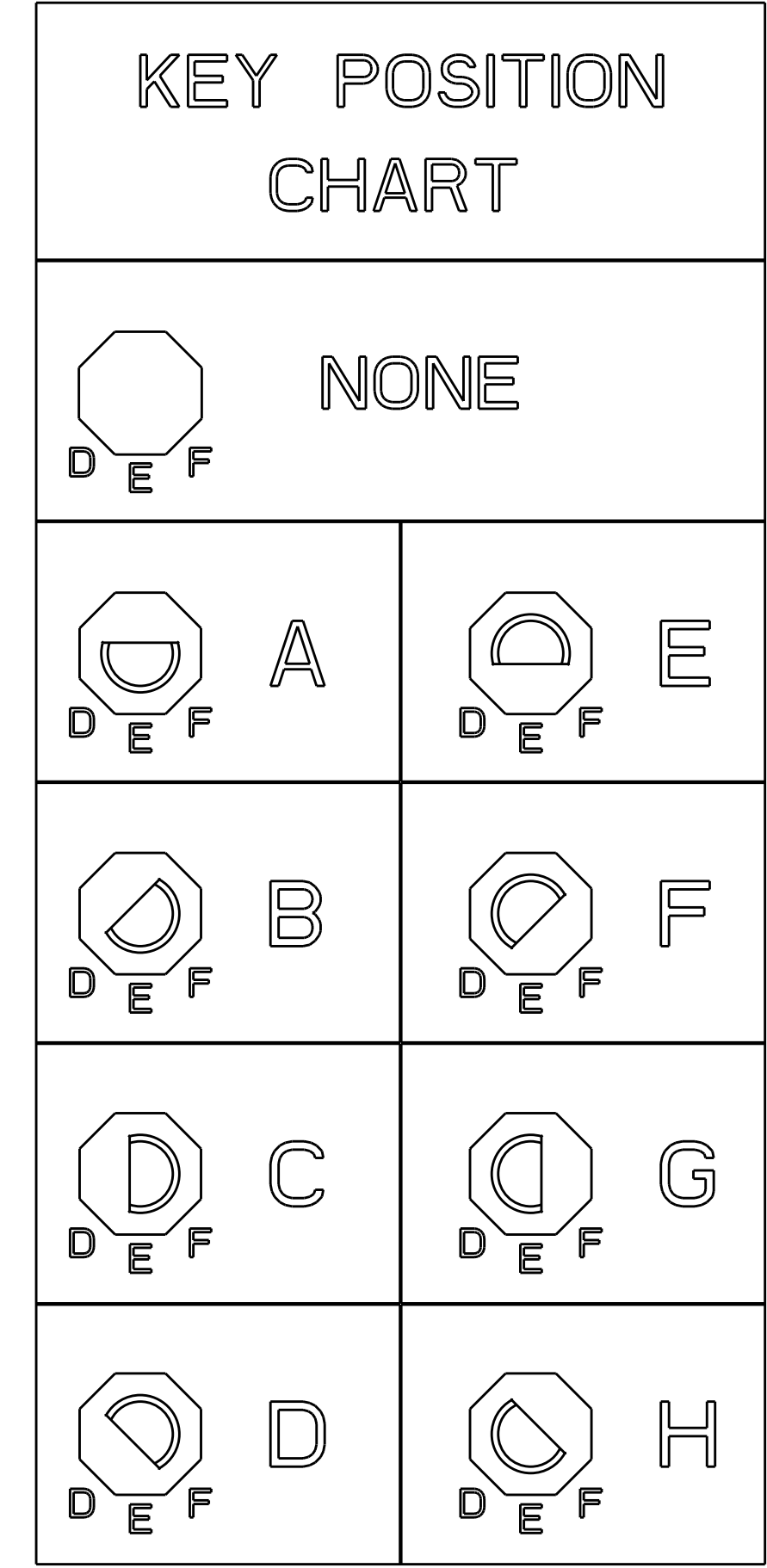


THIS DRAWING IS A CONTROLLED DOCUMENT.		DWN J. K. SHOBER 11JAN2011	TE Connectivity
DIMENSIONS: mm		CHK J. EABY 11JAN2011	
TOLERANCES UNLESS OTHERWISE SPECIFIED:		APVD J. EABY 11JAN2011	
9 PLC ± 1 PLC ±0.25 3 PLC ±0.13 4 PLC ± ANGLES ±		NAME IMPACT, 3 PAIR, 8 COLUMN, HEADER RIGHT GUIDED, LEFT END WALL SIGNAL MODULE, 0.39 PTH	
MATERIAL	FINISH SEE TABLE	WEIGHT	SIZE CAGE CODE DRAWING NO. RESTRICTED TO
CUSTOMER DRAWING		A100779C=2057759	SCALE 6:1 SHEET 1 OF 2 REV C

LOC		DIST		REVISIONS			
AD	00	P	LTG	DESCRIPTION	DATE	DWN	APVD
				SEE SHEET 1			

3	H	5.5	8-2057759-6
3	H	4.9	8-2057759-5
3	H	4.5	8-2057759-4
2	H	5.5	8-2057759-3
2	H	4.9	8-2057759-2
2	H	4.5	8-2057759-1
3	G	5.5	7-2057759-6
3	G	4.9	7-2057759-5
3	G	4.5	7-2057759-4
2	G	5.5	7-2057759-3
2	G	4.9	7-2057759-2
2	G	4.5	7-2057759-1
3	F	5.5	6-2057759-6
3	F	4.9	6-2057759-5
3	F	4.5	6-2057759-4
2	F	5.5	6-2057759-3
2	F	4.9	6-2057759-2
2	F	4.5	6-2057759-1
3	E	5.5	5-2057759-6
3	E	4.9	5-2057759-5
3	E	4.5	5-2057759-4
2	E	5.5	5-2057759-3
2	E	4.9	5-2057759-2
2	E	4.5	5-2057759-1
3	D	5.5	4-2057759-6
3	D	4.9	4-2057759-5
3	D	4.5	4-2057759-4
2	D	5.5	4-2057759-3
2	D	4.9	4-2057759-2
2	D	4.5	4-2057759-1
3	C	5.5	3-2057759-6
3	C	4.9	3-2057759-5
3	C	4.5	3-2057759-4
2	C	5.5	3-2057759-3
2	C	4.9	3-2057759-2
2	C	4.5	3-2057759-1
3	B	5.5	2-2057759-6
3	B	4.9	2-2057759-5
3	B	4.5	2-2057759-4
2	B	5.5	2-2057759-3
2	B	4.9	2-2057759-2
2	B	4.5	2-2057759-1
3	A	5.5	1-2057759-6
3	A	4.9	1-2057759-5
3	A	4.5	1-2057759-4
2	A	5.5	1-2057759-3
2	A	4.9	1-2057759-2
2	A	4.5	1-2057759-1
3	-	5.5	2057759-6
3	-	4.9	2057759-5
3	-	4.5	2057759-4
2	-	5.5	2057759-3
2	-	4.9	2057759-2
2	-	4.5	2057759-1
FINISH	KEY POSITION	DIM M	PART NUMBER

REFER TO WWW.TE.COM FOR PRODUCT AVAILABILITY



THIS DRAWING IS A CONTROLLED DOCUMENT.		DWN J. K. SHOBER 11JAN2011	STE TE Connectivity
DIMENSIONS: mm		CHK J. EARY 11JAN2011	
TOLERANCES UNLESS OTHERWISE SPECIFIED:		APVD J. EARY 11JAN2011	NAME IMPACT, 3 PAIR, 8 COLUMN, HEADER RIGHT GUIDED, LEFT END WALL SIGNAL MODULE, 0.39 PTH
9 PLC ±0.25		PRODUCT SPEC	SIZE CAGE CODE DRAWING NO RESTRICTED TO
3 PLC ±0.13		APPLICATION SPEC	A100779C=2057759
5 PLC ±		WEIGHT	SCALE 5:1 SHEET 2 OF 2 REV C
4 PLC ±		CUSTOMER DRAWING	
ANGLES ±			
FINISH SEE TABLE			