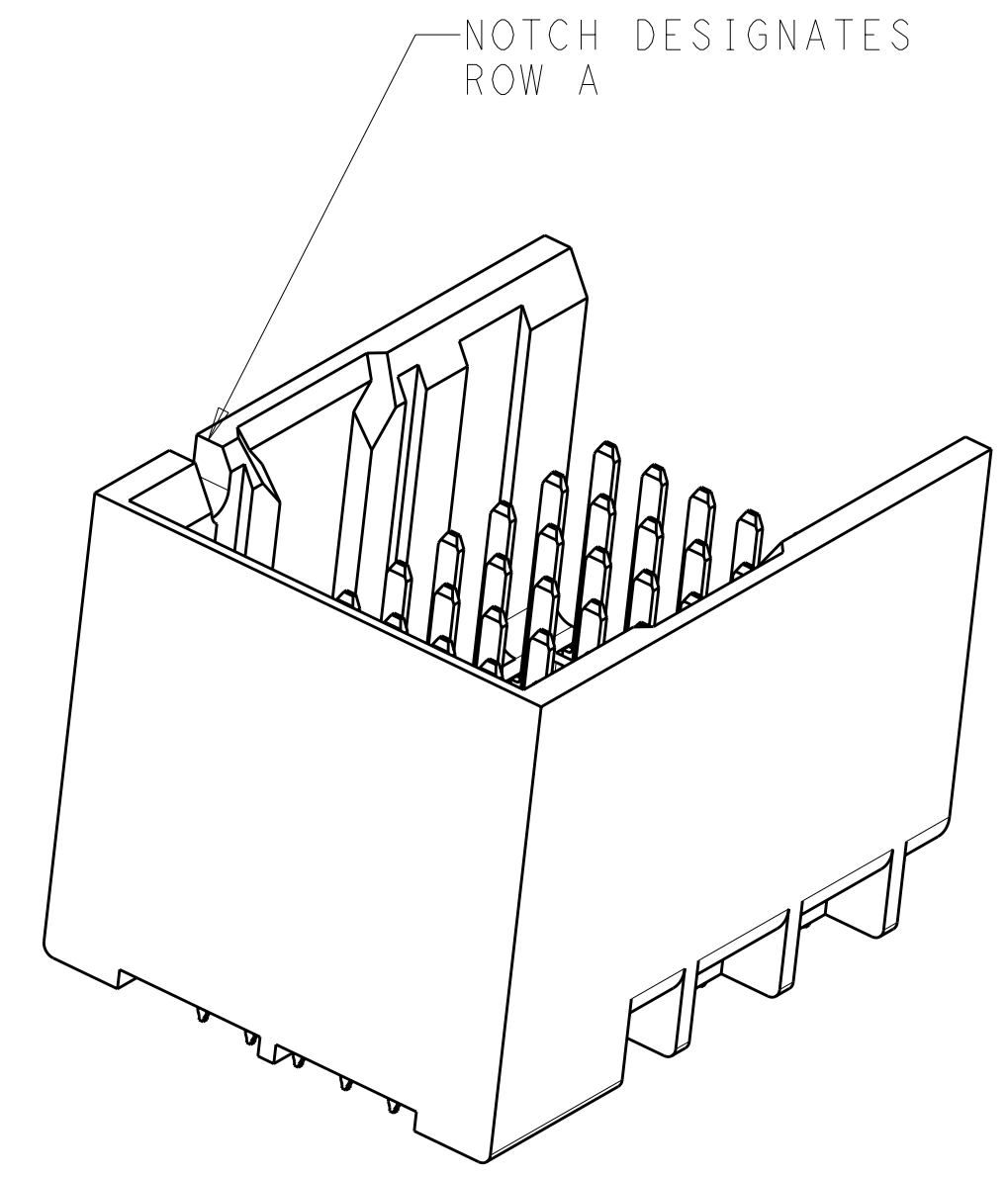
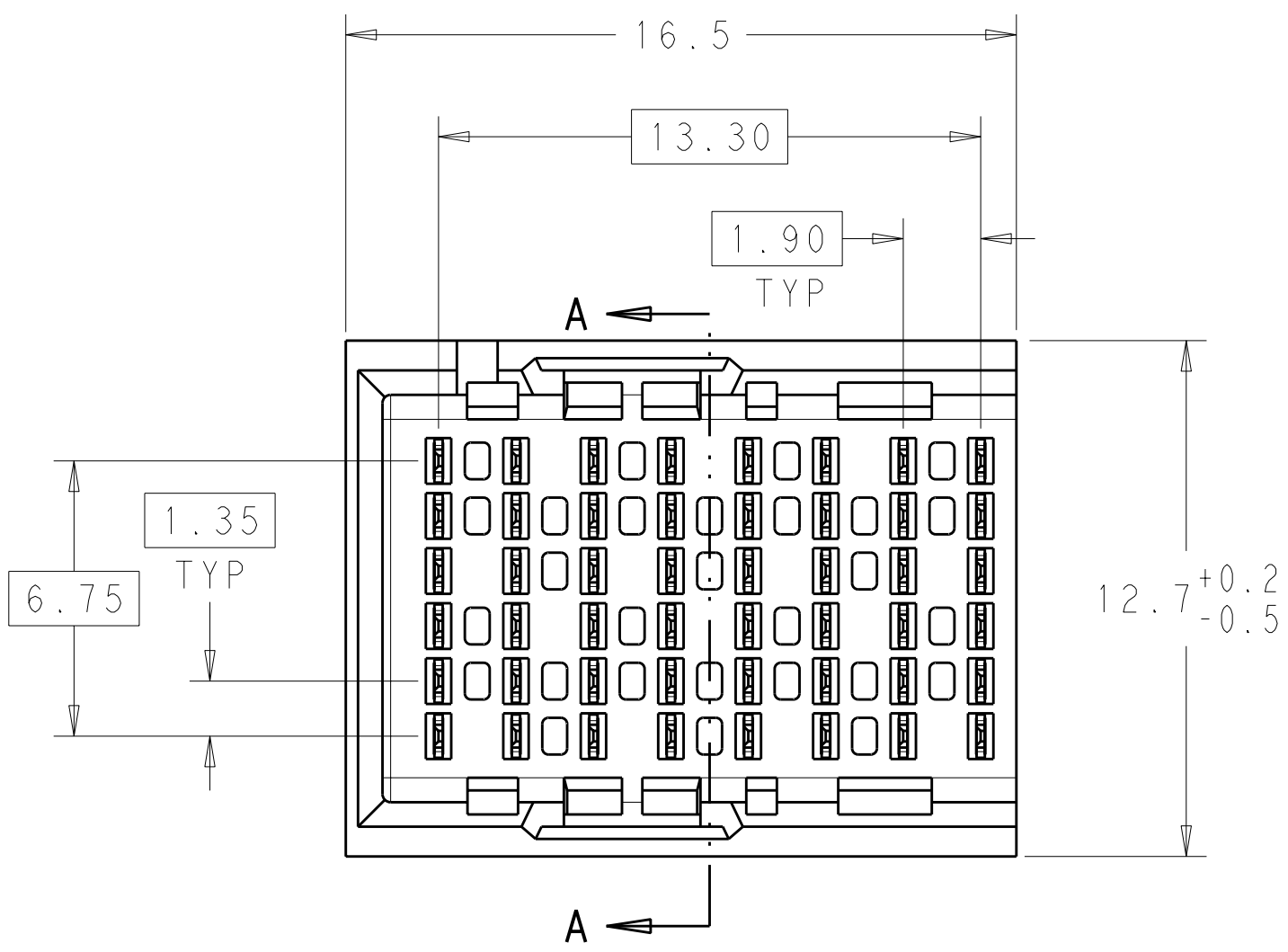
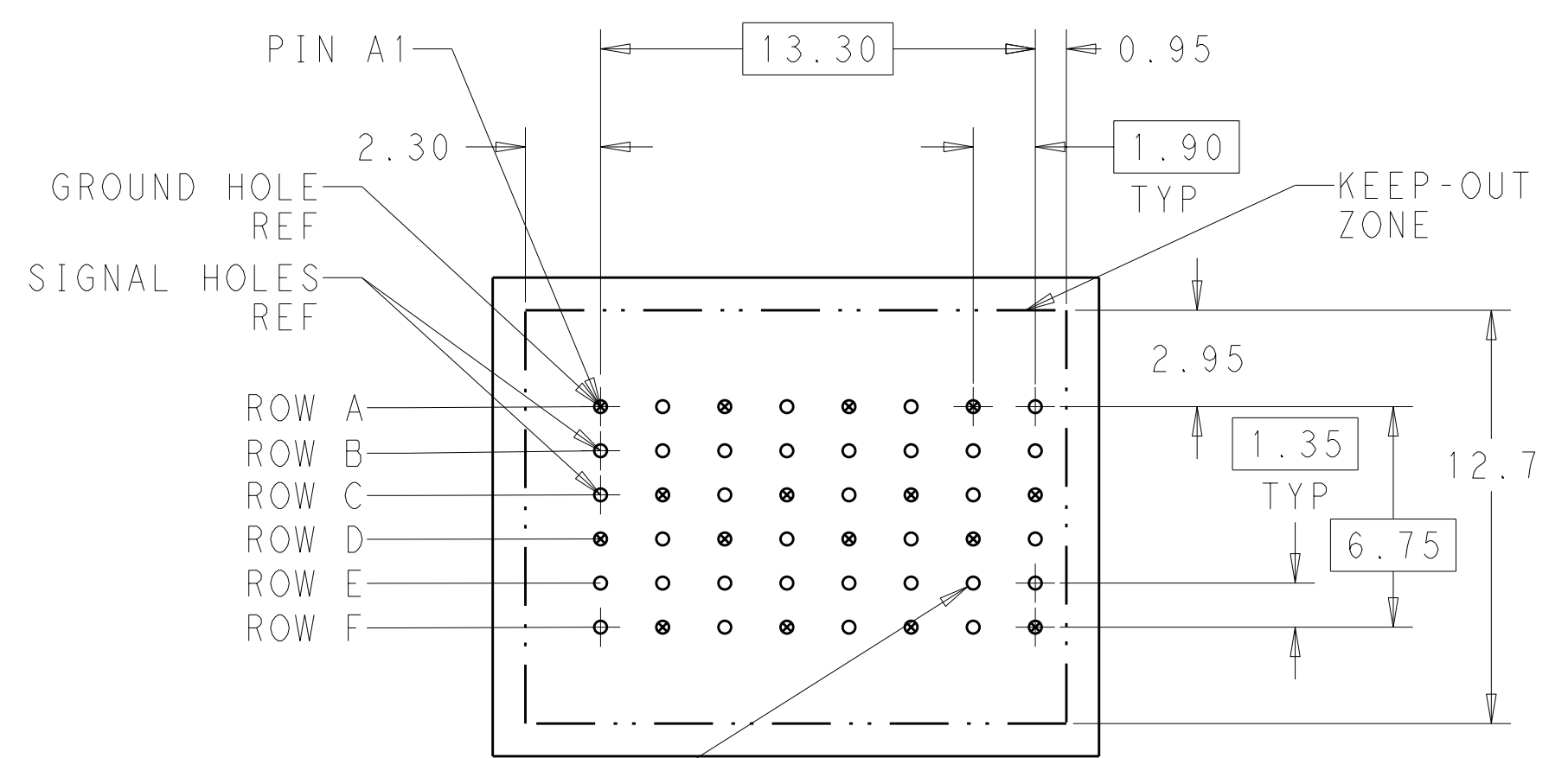


LOC		DIST		REVISIONS			
AD	00	P	LT#	DESCRIPTION	DATE	DWN	APVD
		B		REVISED PER ECO-11-025276	11JAN12	KH	DY

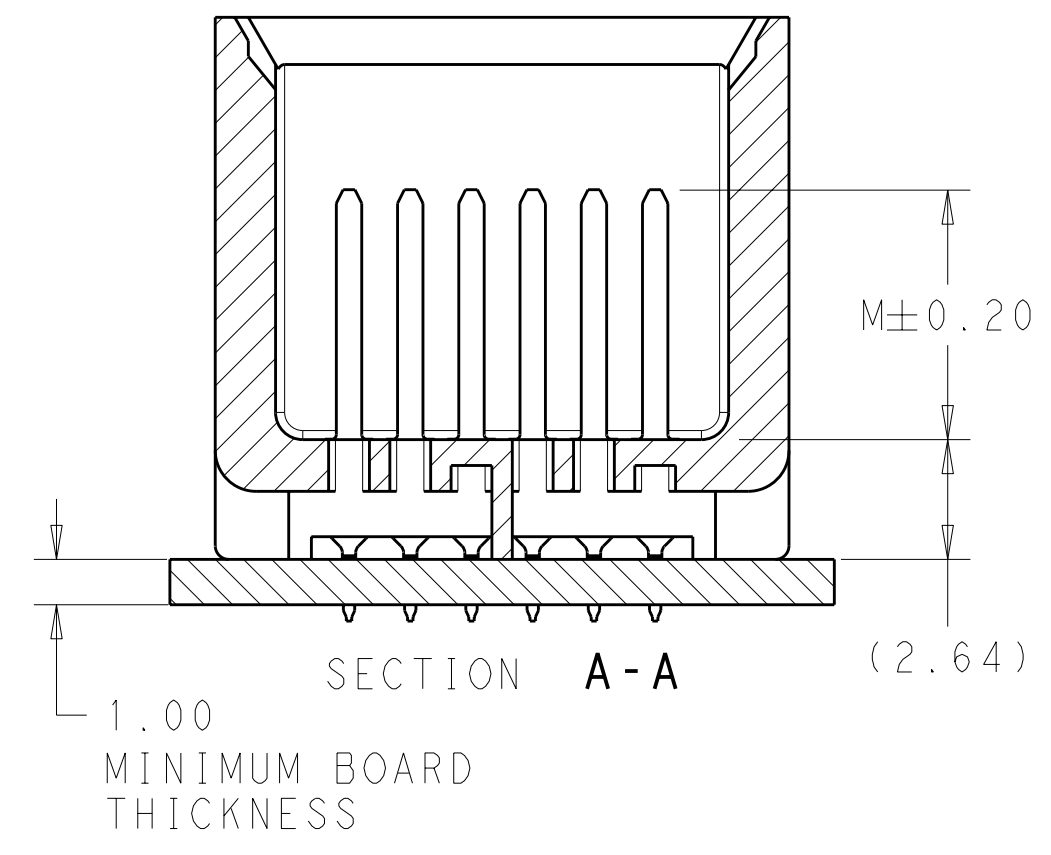
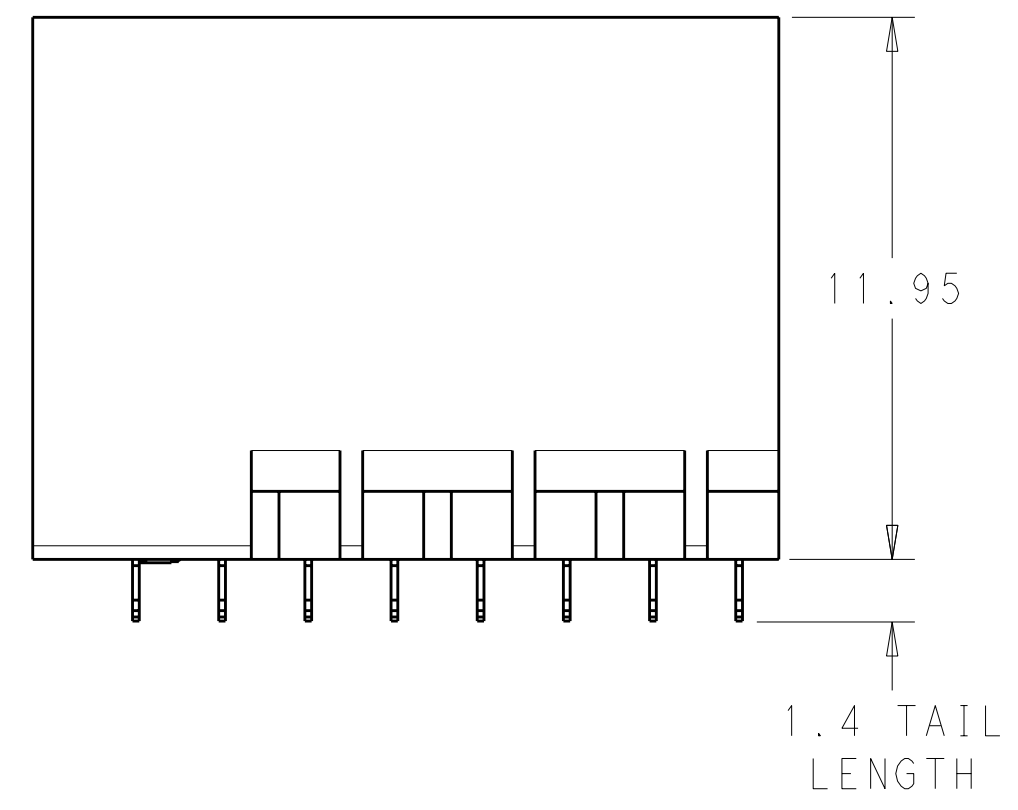


- 1 MATERIAL:
HOUSING: LCP, GLASS FILLED, UL94V-0.
TERMINALS: HIGH PERFORMANCE COPPER ALLOY.
- 2 FINISH:
30μ" MIN GOLD IN CONTACT AREA. SELECTIVE TIN
ON PCB TAILS, NICKEL OVERALL.
- 3 FINISH:
30μ" MIN GOLD IN CONTACT AREA. SELECTIVE TIN-LEAD
ON PCB TAILS, NICKEL OVERALL.



48X $\varnothing 0.39 \pm 0.05$
 $\varnothing 0.10$
 PLATED THRU HOLE

UNGUIDED
 BACKPLANE HOLE PATTERN
 (CONNECTOR SIDE)




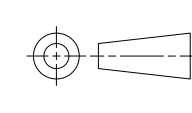
THIS DRAWING IS A CONTROLLED DOCUMENT.		DWN	27APR2011	TE Connectivity
DIMENSIONS:		CHK	27APR2011	
mm	TOLERANCES UNLESS OTHERWISE SPECIFIED:	APVD	27APR2011	NAME
0 PLC ± 1 PLC ±0.25 2 PLC ±0.13 3 PLC ± 4 PLC ± ANGLES ±	FINISH SEE TABLE	PRODUCT SPEC APPLICATION SPEC WEIGHT CUSTOMER DRAWING	SIZE CAGE CODE DRAWING NO A100779C=2057733	IMPACT, 2 PAIR, 8 COLUMN, HEADER UNGUIDED, LEFT END WALL SIGNAL MODULE, 0.39 PTH
SCALE			6:1	SHEET 1 OF 2
REV			B	

THIS DRAWING IS UNPUBLISHED. RELEASED FOR PUBLICATION 20
 © COPYRIGHT 20 . . . ALL RIGHTS RESERVED.

LOC	DIST	REVISIONS				
AD	00	P	LTG	DATE	DWN	APVD
		-	-	SEE SHEET 1	-	-

FINISH	DIM M	PART NUMBER
\triangle_3	5.5	2057733-6
\triangle_3	4.9	2057733-5
\triangle_3	4.5	2057733-4
\triangle_2	5.5	2057733-3
\triangle_2	4.9	2057733-2
\triangle_2	4.5	2057733-1

REFER TO WWW.TE.COM
FOR PRODUCT AVAILABILITY

THIS DRAWING IS A CONTROLLED DOCUMENT.		DWN	27APR2011	 TE Connectivity
DIMENSIONS:		CHK	J. EABY 27APR2011	
mm	TOLERANCES UNLESS OTHERWISE SPECIFIED:	APVD	J. EABY 27APR2011	NAME
	0 PLC ±	PRODUCT SPEC		IMPACT, 2 PAIR, 8 COLUMN, HEADER
	1 PLC ±0.25	APPLICATION SPEC		UNGUIDED, LEFT END WALL
	2 PLC ±0.13	WEIGHT		SIGNAL MODULE, 0.39 PTH
	3 PLC ±	MATERIAL		SIZE CAGE CODE DRAWING NO RESTRICTED TO
	4 PLC ±	FINISH		A100779C=2057733
	ANGLES ±	CUSTOMER DRAWING		SCALE 5:1 SHEET 2 OF 2 REV B