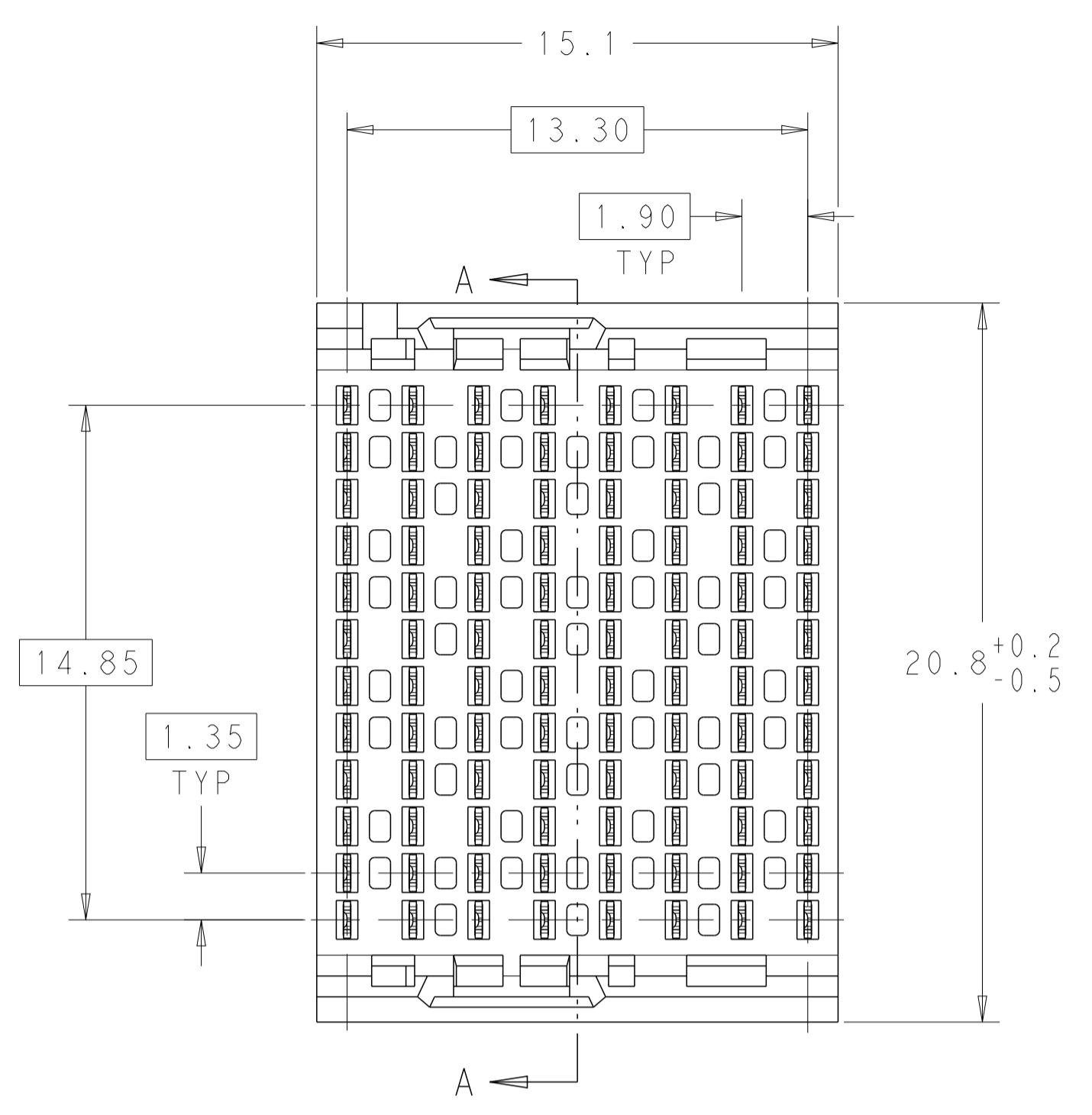
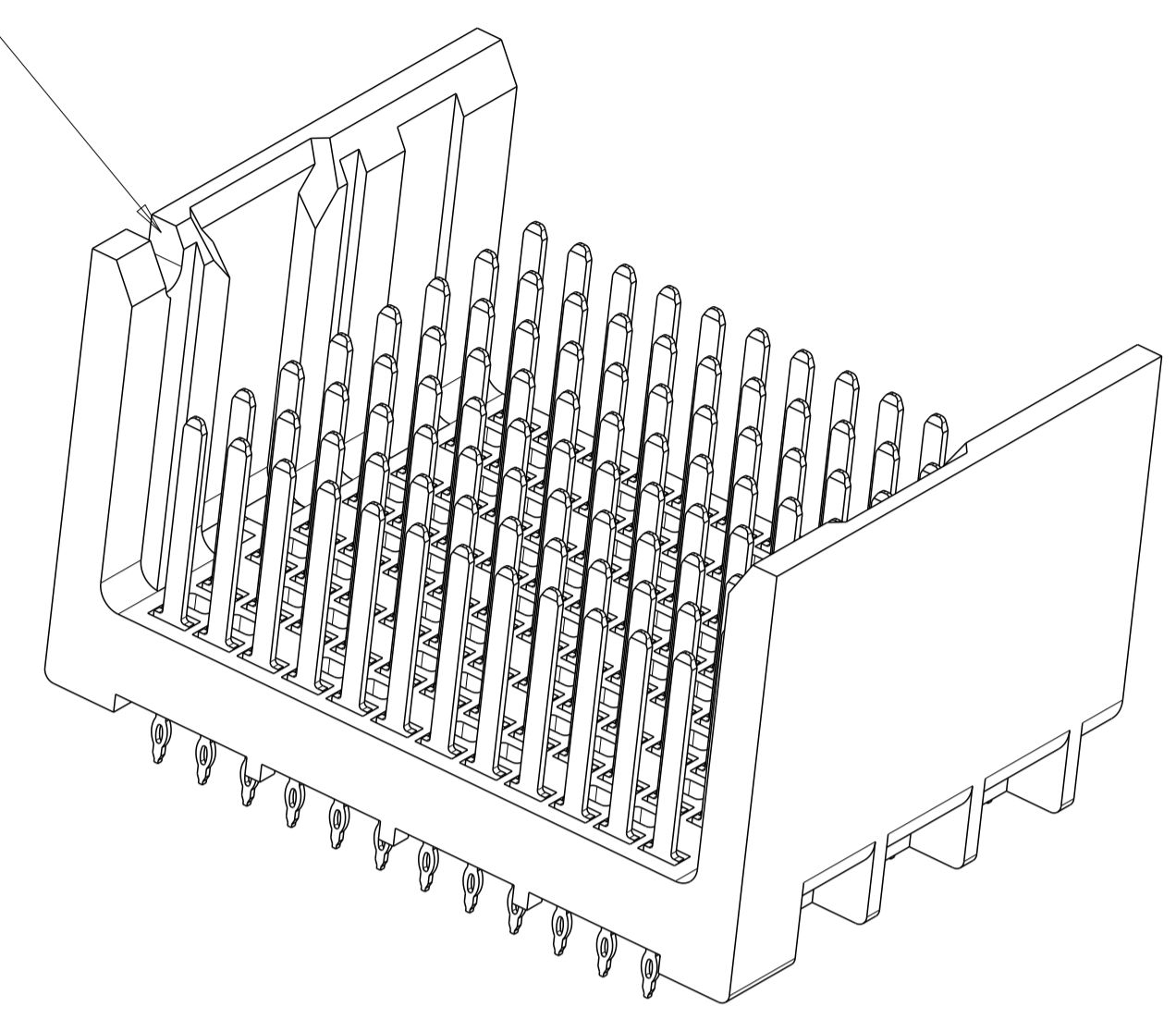


LOC		DIST		REVISIONS			
P	LTN	DESCRIPTION	DATE	DMN	APVD		
A		REVISED PER ECO-15-001494	06FEB2015	AP	DD		
A1		REVISED PER ECN-24-252036	20MAR2024	AP	RS		

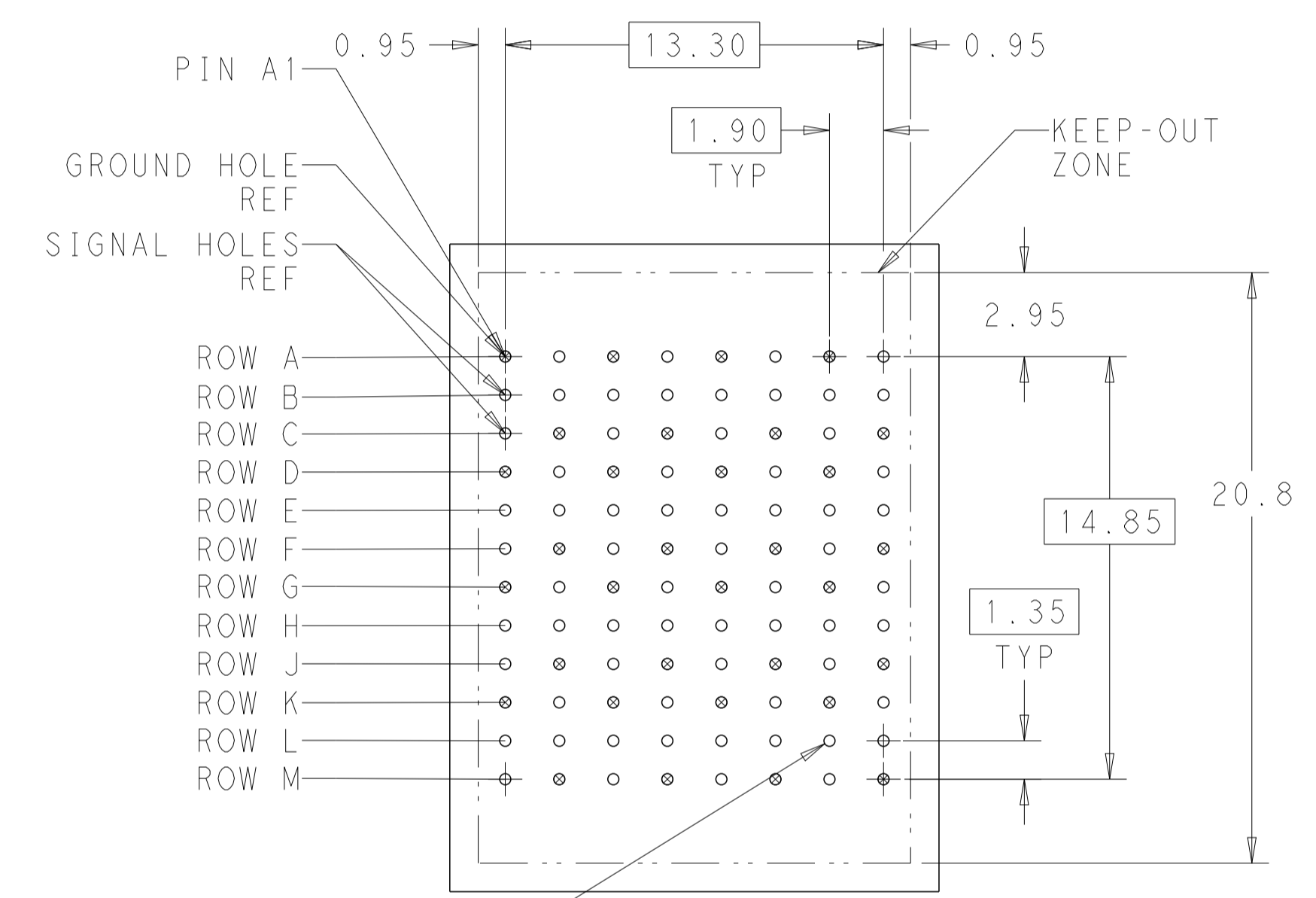


NOTCH DESIGNATES ROW A

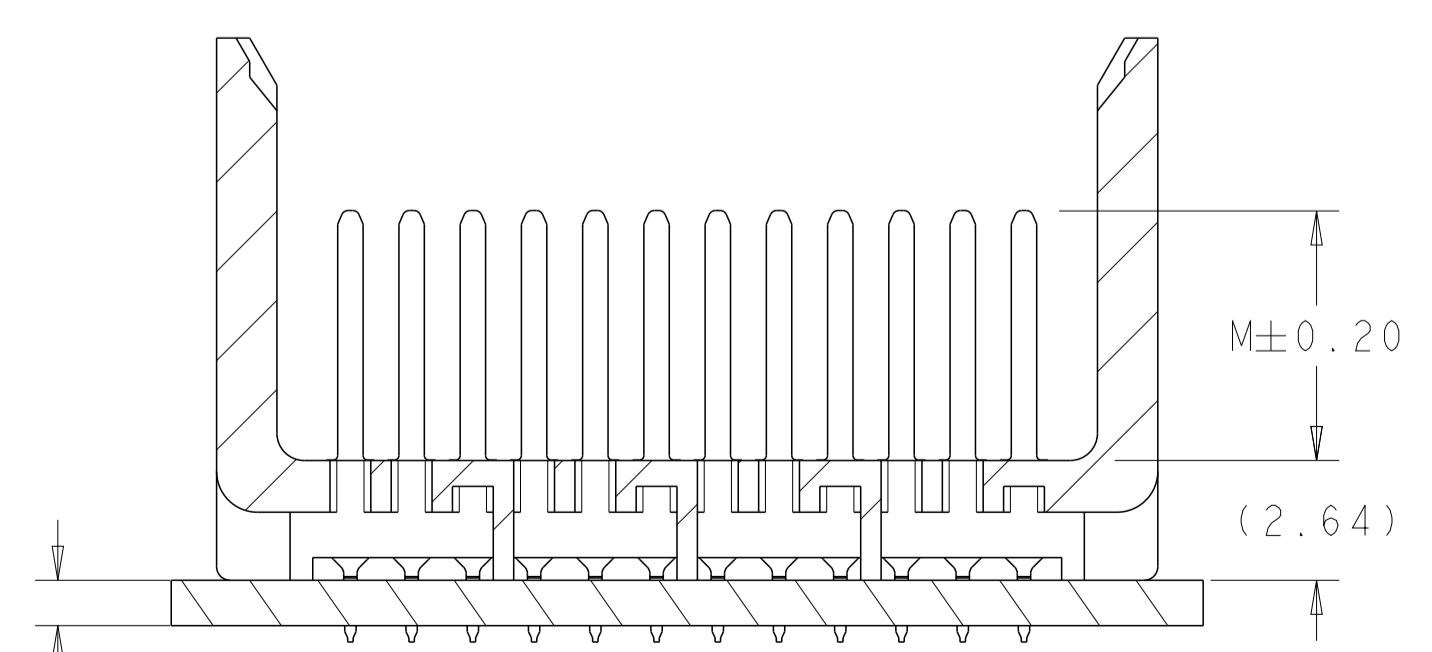
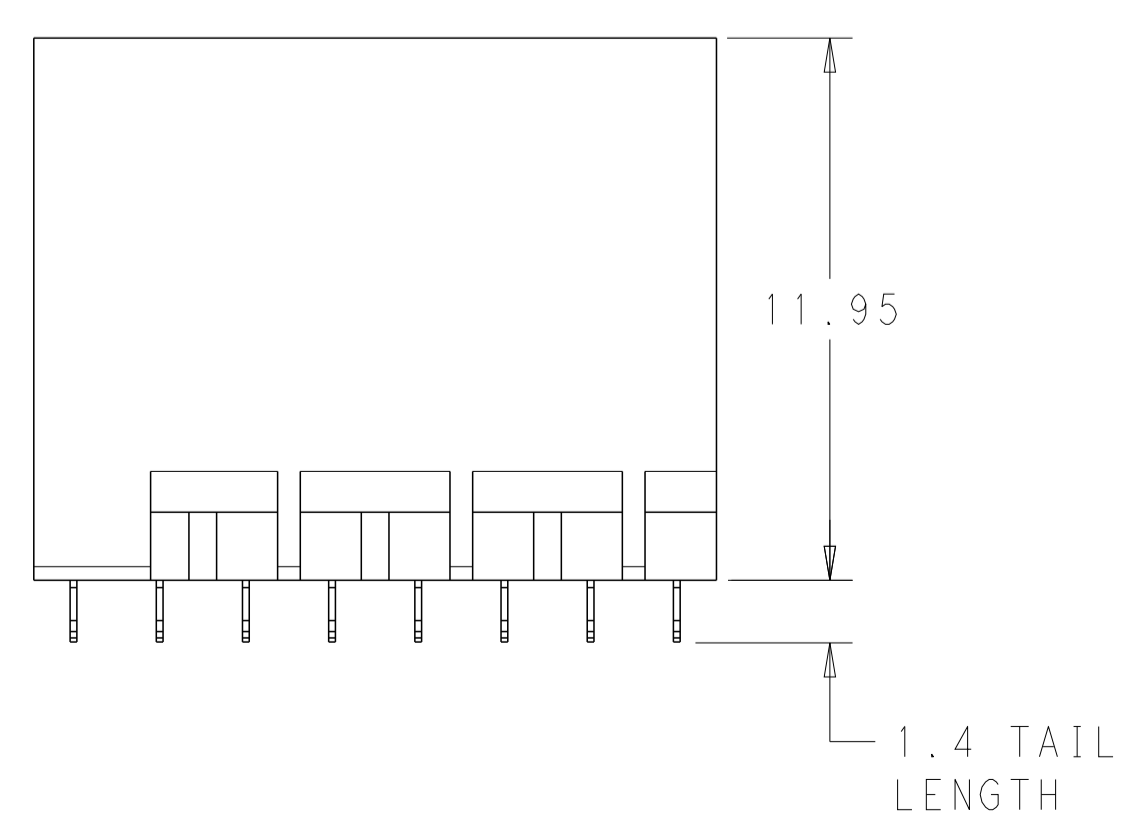


⚠ MATERIAL:  
 HOUSING: LCP, GLASS FILLED, UL94V-0.  
 TERMINALS: HIGH PERFORMANCE COPPER ALLOY.

⚠ FINISH:  
 30μ" MIN GOLD IN CONTACT AREA. SELECTIVE TIN ON PCB TAILS, NICKEL OVERALL.



96X  $\varnothing 0.39 \pm 0.05$  PLATED THRU HOLE  
 96X  $\varnothing 0.48 \pm 0.013$  DRILL HOLE  
 $\varnothing 0.10$  UNGUIDED BACKPLANE HOLE PATTERN (CONNECTOR SIDE)



1.00 MINIMUM BOARD THICKNESS

SECTION A-A

THIS DRAWING IS A CONTROLLED DOCUMENT.		DMN: KIRAN HOLAL 09JAN2013	<b>STE</b> TE Connectivity
DIMENSIONS: mm		CHK: D. DIXON 09JAN2013	
TOLERANCES UNLESS OTHERWISE SPECIFIED:		APVD: D. DIXON 09JAN2013	NAME: IMPACT, 4 PAIR, 8 COLUMN, HEADER UNGUIDED, OPEN END WALL SIGNAL MODULE, 0.39 PTH
0 PLC ±		PRODUCT SPEC	SIZE: CAGE CODE DRAWING NO
1 PLC ±0.25		APPLICATION SPEC	RESTRICTED TO
2 PLC ±0.13			
3 PLC ±			
4 PLC ±			
ANGLES ±			
FINISH: SEE TABLE		WEIGHT	A100779C=2057446
MATERIAL: ⚠		CUSTOMER DRAWING	SCALE: 6:1 SHEET 1 OF 2 REV: A1

8

7

6

5

4

3

2

1

THIS DRAWING IS UNPUBLISHED.	RELEASED FOR PUBLICATION	20
© COPYRIGHT 20	BY -	ALL RIGHTS RESERVED.

LOC	DIST	REVISIONS					
		P	LTN	DESCRIPTION	DATE	DWN	APVD
AD	00	-		SEE SHEET 1	-	-	-

	5.5	2057446-3
	4.9	2057446-2
	4.5	2057446-1
FINISH	DIM M	PART NUMBER

REFER TO WWW.TE.COM  
FOR PRODUCT AVAILABILITY

THIS DRAWING IS A CONTROLLED DOCUMENT.		DWN KIRAN HOLAL	09JAN2013		TE Connectivity
		CHK D. DIXON	09JAN2013		
DIMENSIONS:		TOLERANCES UNLESS OTHERWISE SPECIFIED:		NAME	
mm	0 PLC ±	1 PLC ±0.25	2 PLC ±0.13	IMPACT, 4 PAIR, 8 COLUMN, HEADER	
	3 PLC ±	4 PLC ±	ANGLES ±	UNGUIDED, OPEN END WALL	
MATERIAL	FINISH	WEIGHT	SIZE	CAGE CODE	DRAWING NO
-	SEE TABLE	-	A1	00779	2057446
CUSTOMER DRAWING			SCALE	SHEET	OF
			5:1	2	2
			REV	A1	