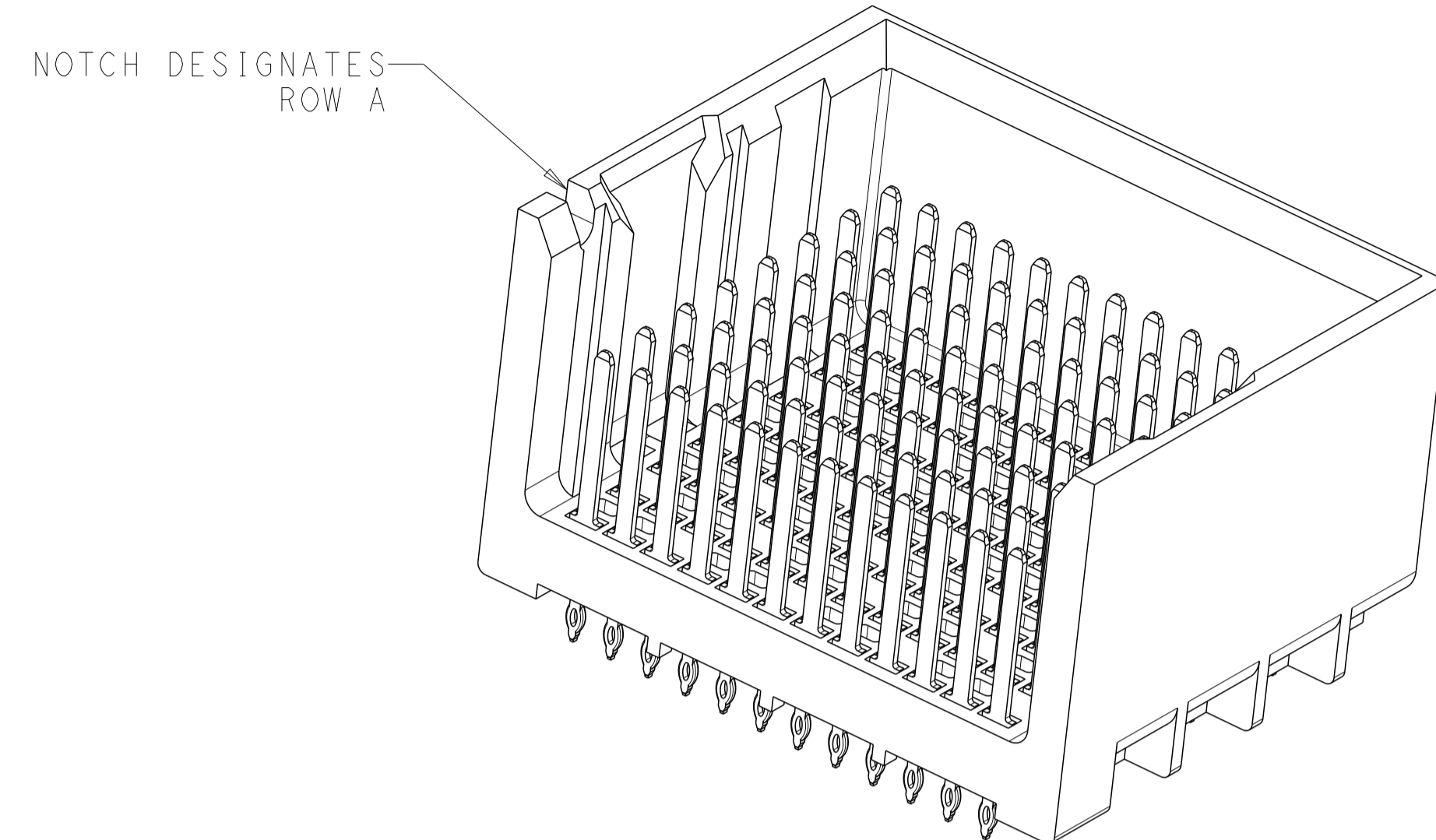
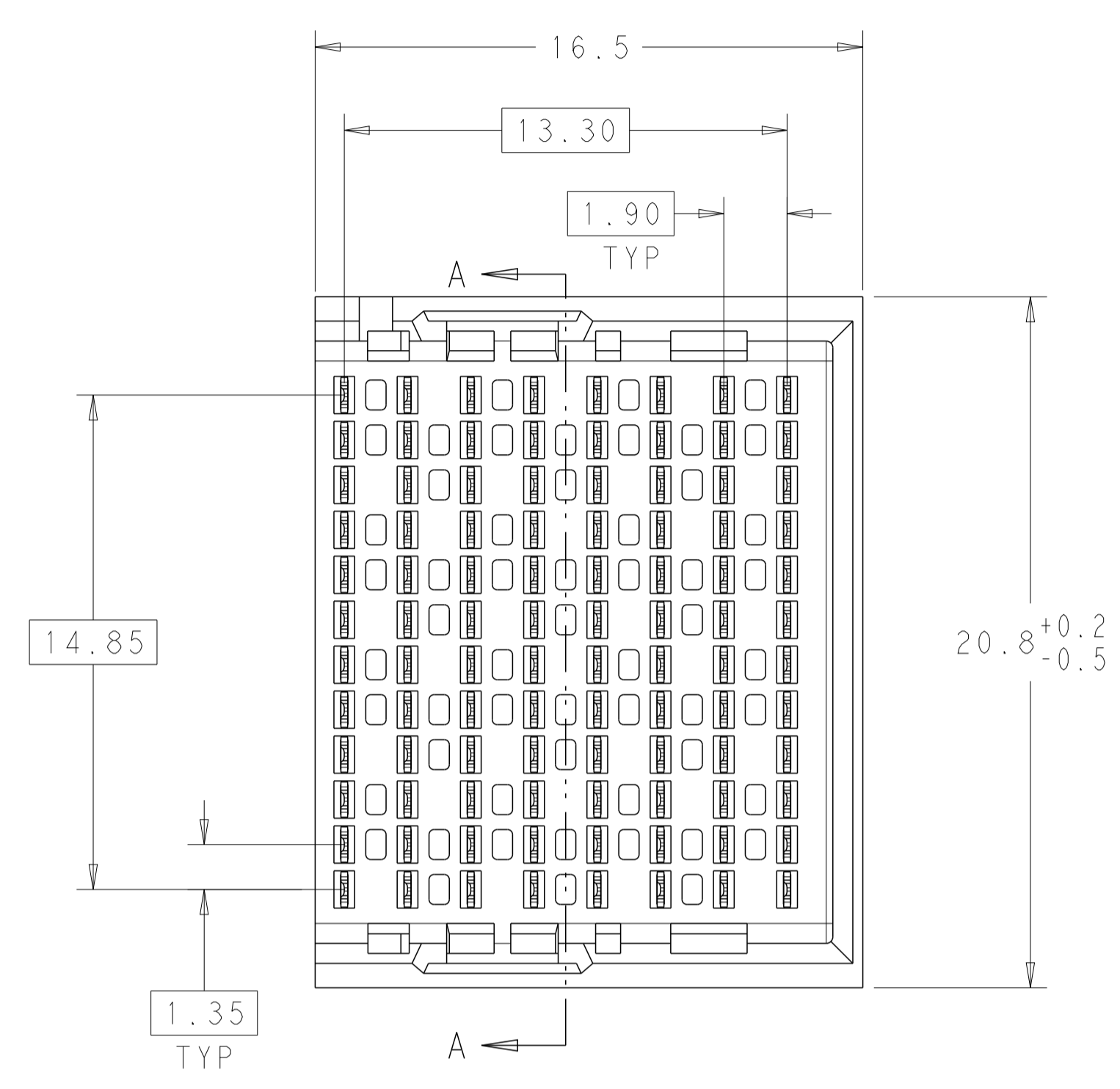
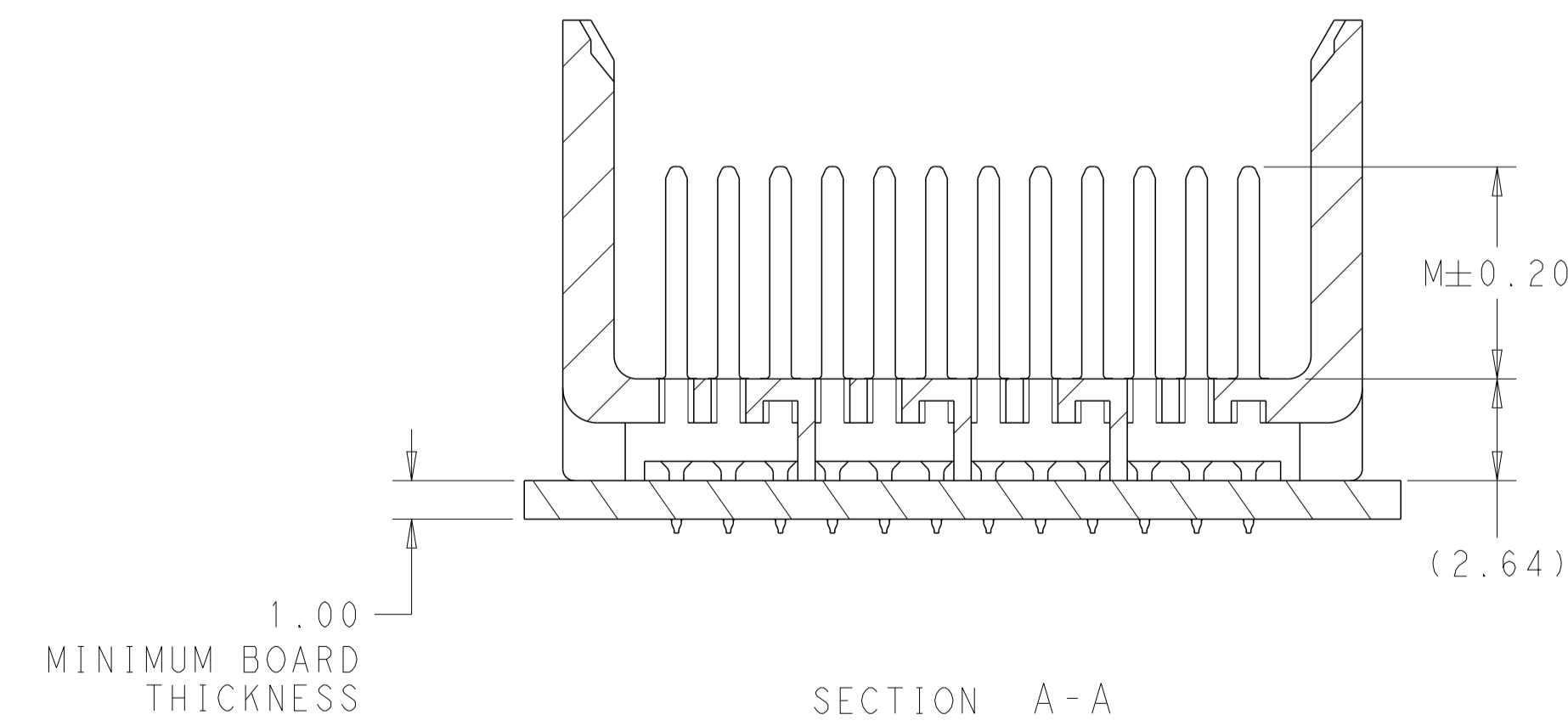
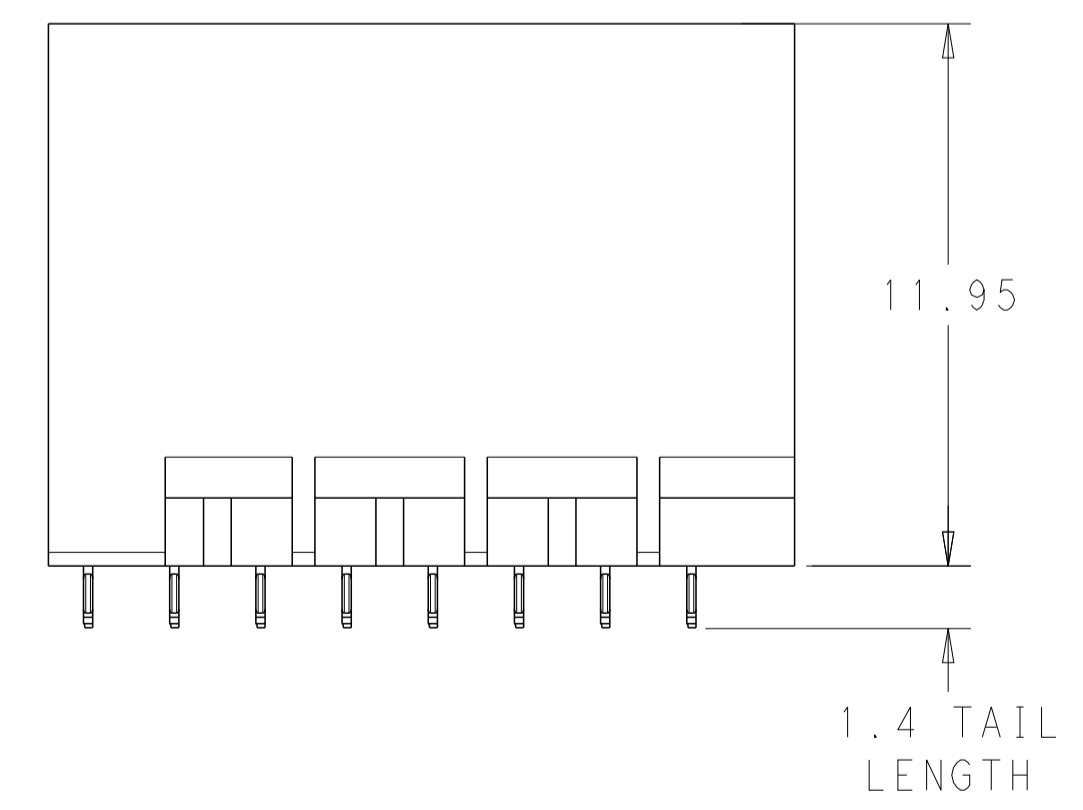
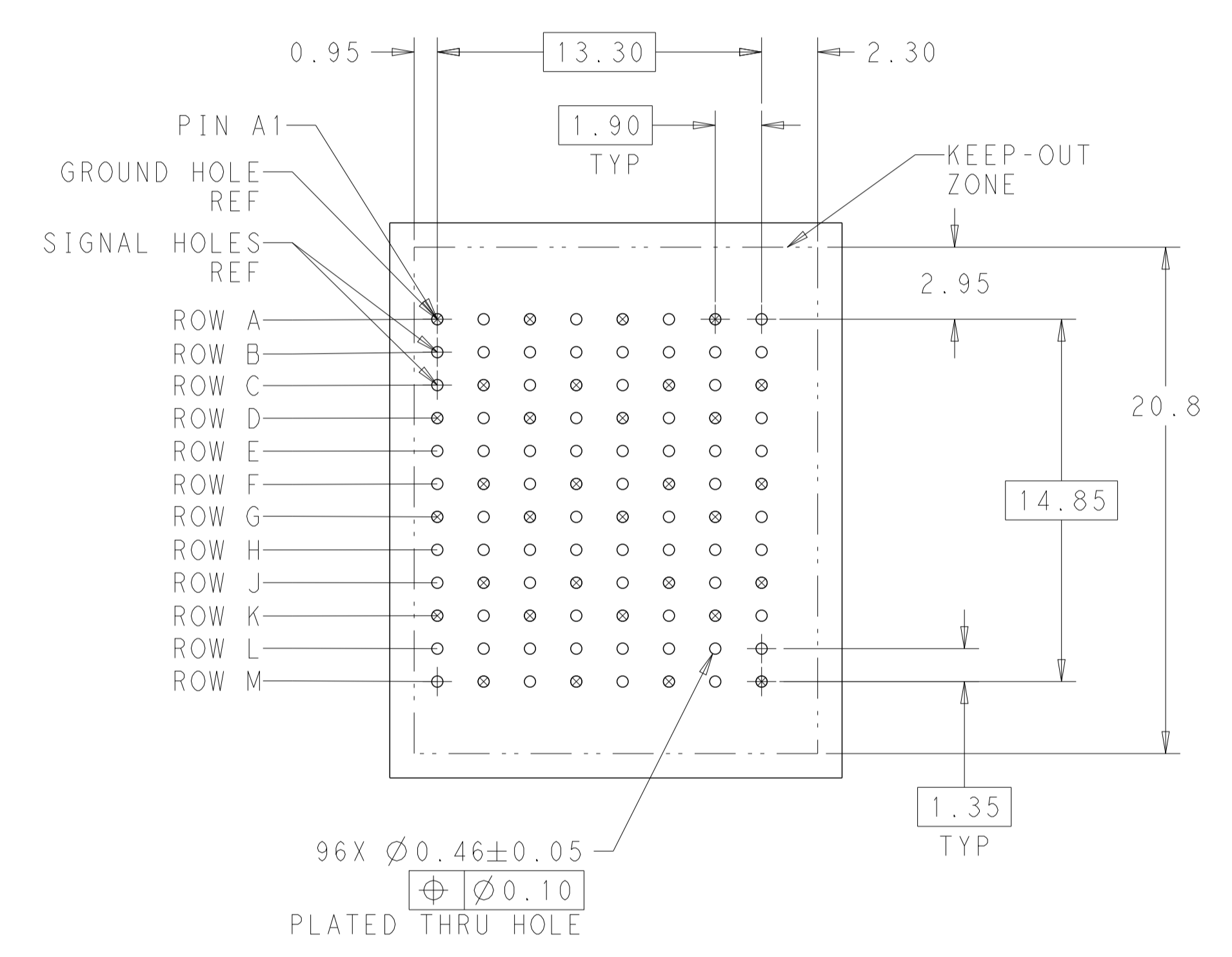


LOC		DIST		REVISIONS			
P	LTN	DESCRIPTION	DATE	DWN	APVD		
A1		REVISED PER ECO-15-001494	06FEB2015	AP	DD		
A2		REVISED PER ECN-24-252036	01APR2024	AP	RS		



⚠ MATERIAL:
 HOUSING: LCP, GLASS FILLED, UL94V-0.
 TERMINALS: HIGH PERFORMANCE COPPER ALLOY.

⚠ FINISH:
 30μ" MIN GOLD IN CONTACT AREA. SELECTIVE TIN
 ON PCB TAILS, NICKEL OVERALL.



UNGUIDED
 BACKPLANE HOLE PATTERN
 (CONNECTOR SIDE)

THIS DRAWING IS A CONTROLLED DOCUMENT.		DWN	03OCT2011	STE TE Connectivity
DIMENSIONS:		CHK	03OCT2011	
TOLERANCES UNLESS OTHERWISE SPECIFIED:		APVD	03OCT2011	
mm		J. EARY	J. EARY	
0 PLC	±	NAME		IMPACT, 4 PAIR, 8 COLUMN, HEADER UNGUIDED, RIGHT END WALL SIGNAL MODULE, 0.46 PTH
1 PLC	±0.25	SIZE		
2 PLC	±0.13	CAGE CODE		2057445
3 PLC	±	DRAWING NO		2057445
4 PLC	±	RESTRICTED TO		
ANGLES	±	MATERIAL		
FINISH	SEE TABLE	WEIGHT		
MATERIAL		CUSTOMER DRAWING		
		SCALE		6:1
		SHEET		1 OF 2
		REV		A2

8

7

6

5

4

3

2

1

THIS DRAWING IS UNPUBLISHED.	RELEASED FOR PUBLICATION	20
© COPYRIGHT 20	BY -	ALL RIGHTS RESERVED.

LOC	DIST	REVISIONS					
		P	LTN	DESCRIPTION	DATE	DWN	APVD
AD	00	-	-	SEE SHEET 1	-	-	-

	5.5	2057445-3	OBSOLETE
	4.9	2057445-2	
	4.5	2057445-1	OBSOLETE
FINISH	DIM M	PART NUMBER	

REFER TO WWW.TE.COM
FOR PRODUCT AVAILABILITY

THIS DRAWING IS A CONTROLLED DOCUMENT.		DWN	03OCT2011		TE Connectivity
DIMENSIONS:		CHK	03OCT2011		
mm	TOLERANCES UNLESS OTHERWISE SPECIFIED:	APVD	J. EARY 03OCT2011	NAME	
0 PLC ±	0 PLC ±0.25	PRODUCT SPEC		IMPACT, 4 PAIR, 8 COLUMN, HEADER	
1 PLC ±0.13	1 PLC ±	APPLICATION SPEC		UNGUIDED, RIGHT END WALL	
2 PLC ±	2 PLC ±	WEIGHT		SIGNAL MODULE, 0.46 PTH	
3 PLC ±	3 PLC ±	MATERIAL		SIZE CAGE CODE DRAWING NO RESTRICTED TO	
4 PLC ±	4 PLC ±	FINISH		A100779C=2057445	
ANGLES ±	ANGLES ±	CUSTOMER DRAWING		SCALE 5:1 SHEET 2 OF 2 REV A2	
FINISH SEE TABLE	FINISH SEE TABLE				