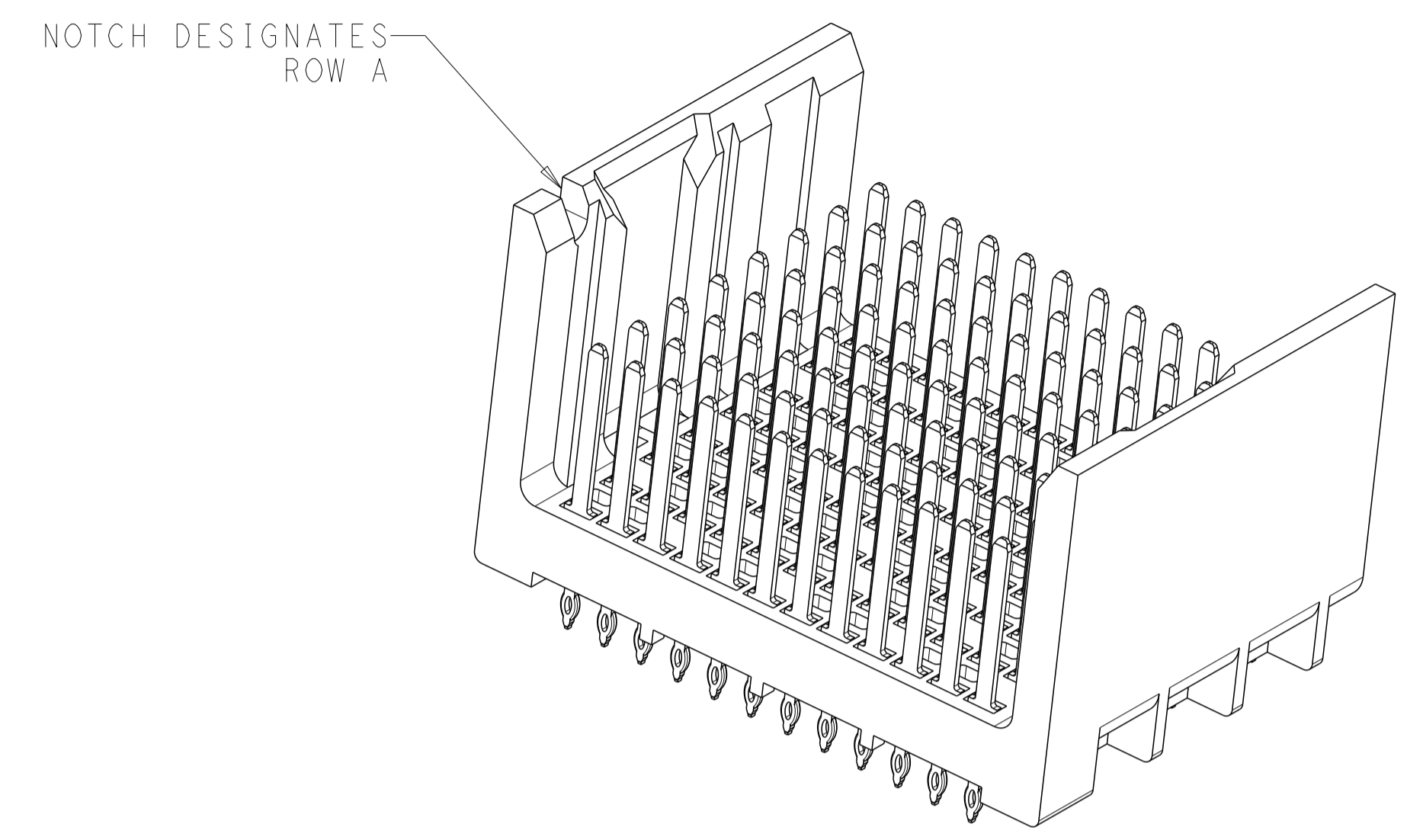
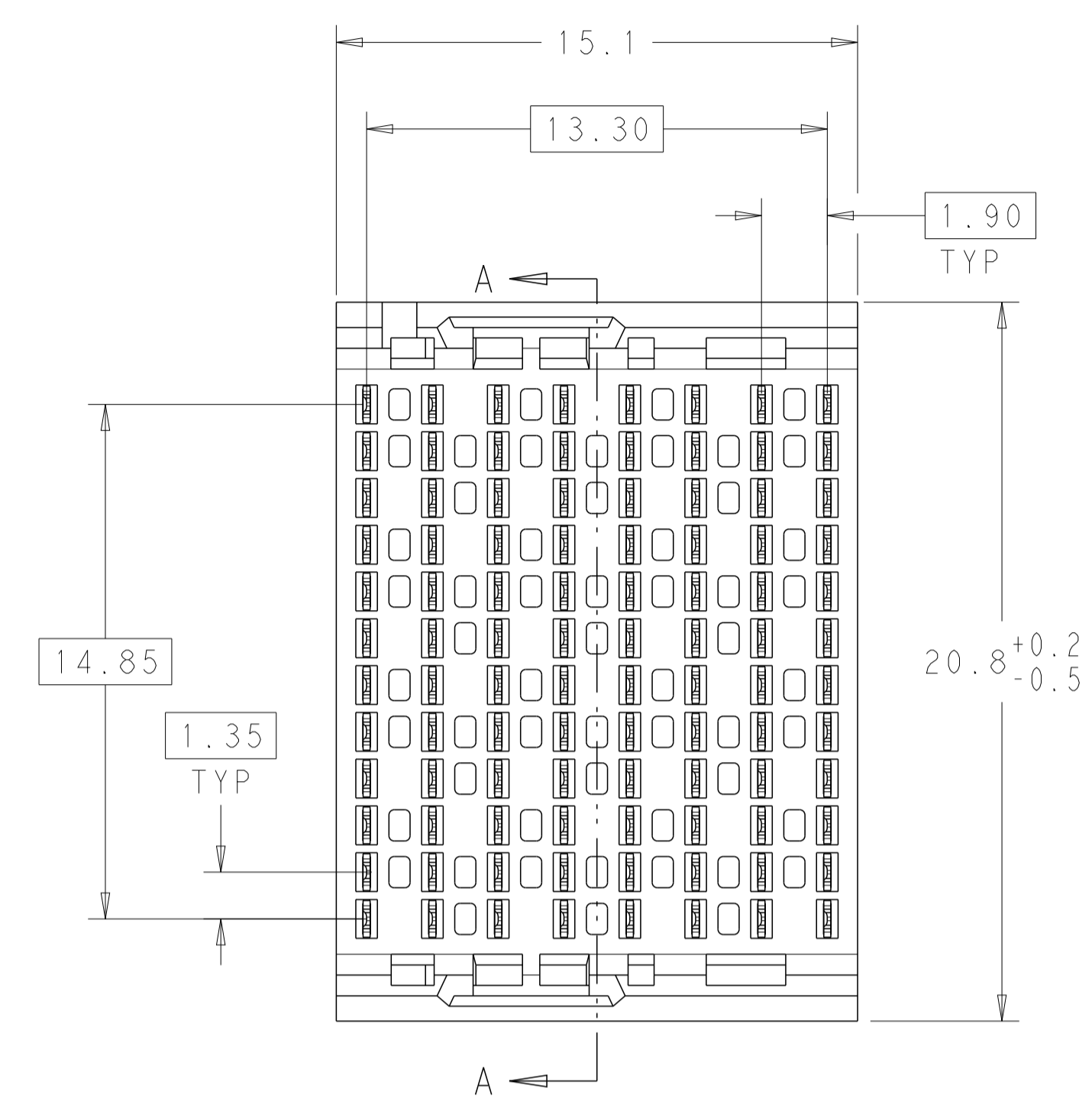
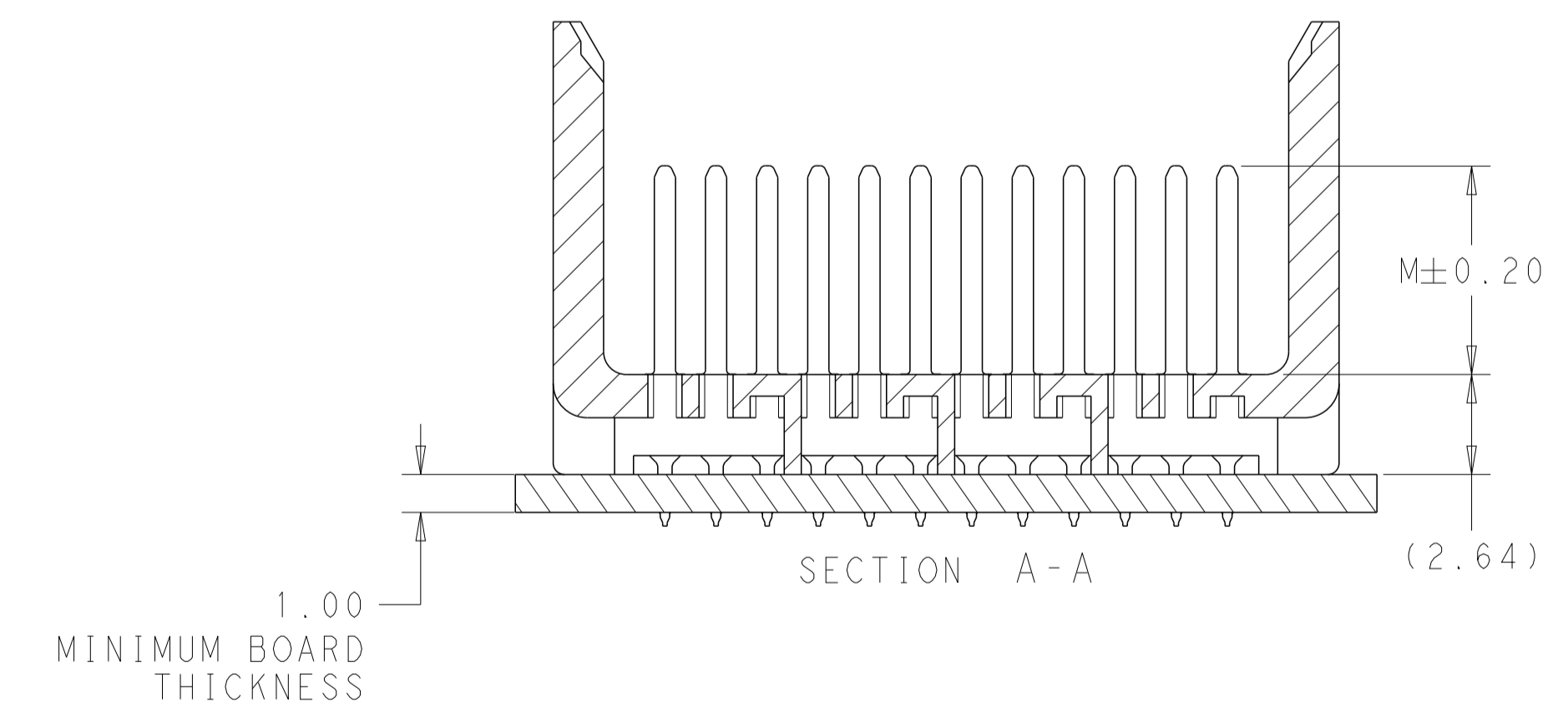
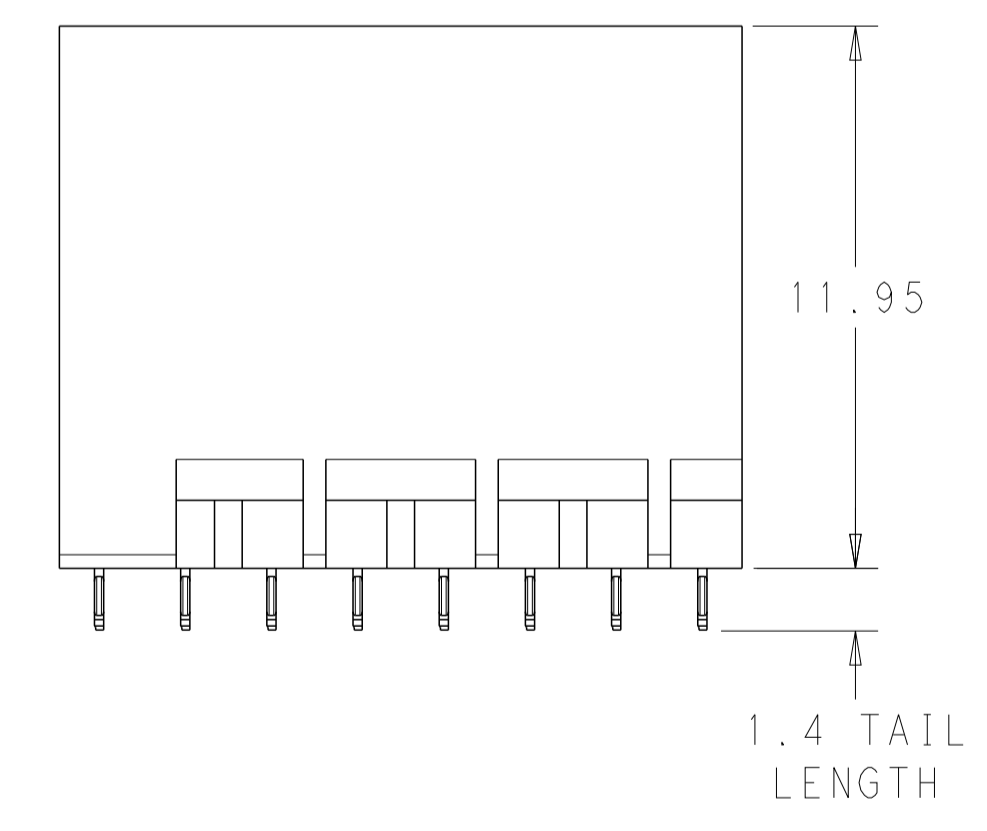
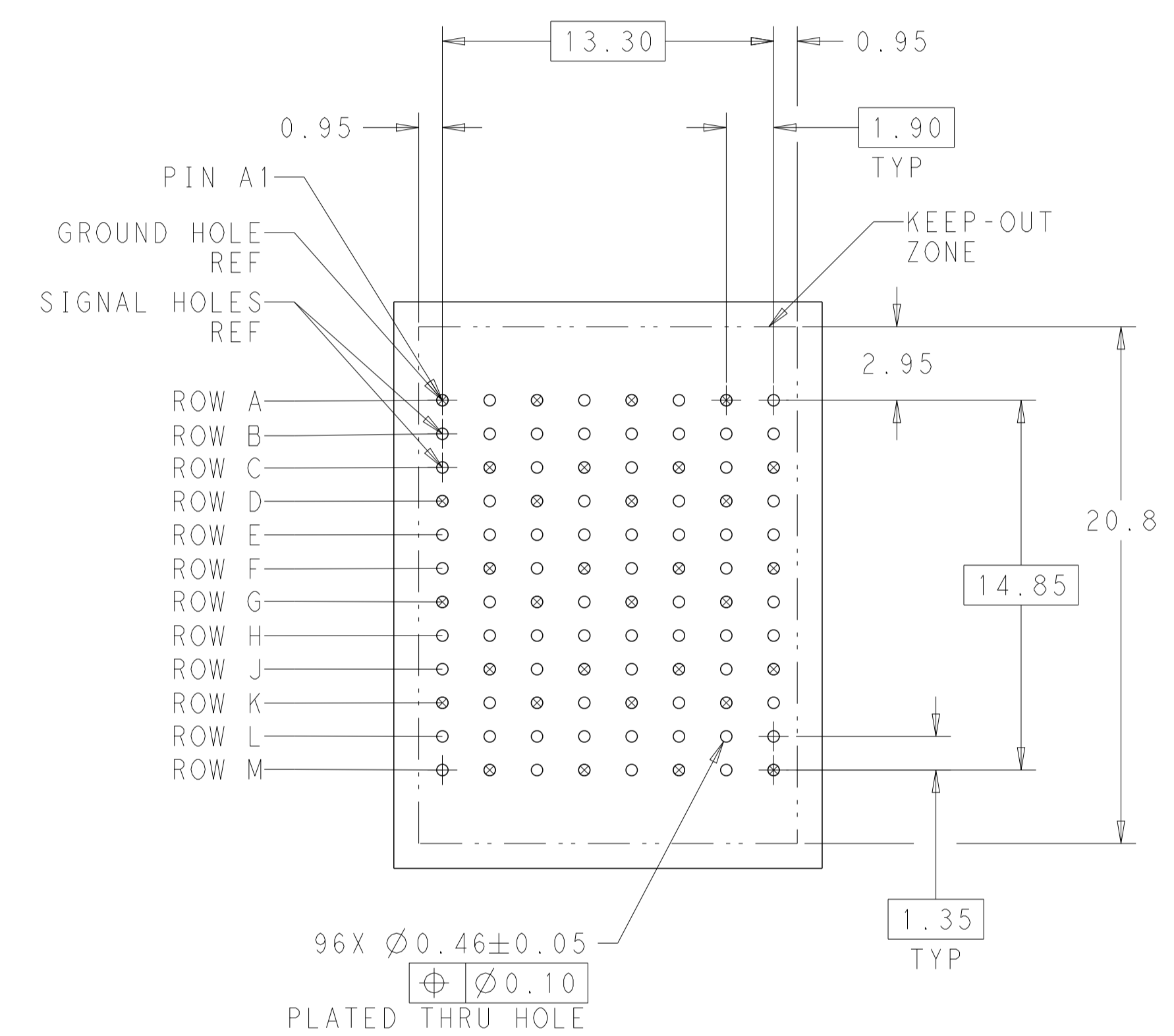


REVISIONS				
P	LTN	DESCRIPTION	DATE	APVD
A1		REVISED PER ECO-15-001494	05FEB2015	AP DD
A2		REVISED PER ECN-24-252036	20MAR2024	AP RS



- 1 MATERIAL:
HOUSING: LCP, GLASS FILLED, UL94V-0.
TERMINALS: HIGH PERFORMANCE COPPER ALLOY.
- 2 FINISH:
30μ" MIN GOLD IN CONTACT AREA. SELECTIVE TIN ON PCB TAILS, NICKEL OVERALL.



UNGUIDED BACKPLANE HOLE PATTERN (CONNECTOR SIDE)

THIS DRAWING IS A CONTROLLED DOCUMENT.		OWN: R. GRZYBOWSKI 14JUN2011	TE Connectivity
DIMENSIONS: mm		CHK: J. EARY 14JUN2011	
TOLERANCES UNLESS OTHERWISE SPECIFIED:		APVD: J. EARY 14JUN2011	NAME: IMPACT, 4 PAIR, 8 COLUMN, HEADER UNGUIDED, OPEN END WALL SIGNAL MODULE, 0.46 PTH
0 PLC ±0.25	1 PLC ±0.13	PRODUCT SPEC	SIZE: CAGE CODE DRAWING NO. RESTRICTED TO
2 PLC ±0.13	3 PLC ±0.13	APPLICATION SPEC	A100779C=2057442
4 PLC ±0.13	ANGLES ±0.13	WEIGHT	SCALE: 6:1 SHEET 1 OF 2 REV: A2
MATERIAL: SEE TABLE	FINISH: SEE TABLE	CUSTOMER DRAWING	

THIS DRAWING IS UNPUBLISHED. RELEASED FOR PUBLICATION 20
 © COPYRIGHT 20 BY - ALL RIGHTS RESERVED.

REVISIONS					
P	LTN	DESCRIPTION	DATE	DMN	APVD
-		SEE SHEET 1	-	-	-

	5.5	2057442-3	
	4.9	2057442-2	
	4.5	2057442-1	OBsolete
FINISH	DIM M	PART NUMBER	

REFER TO WWW.TE.COM
FOR PRODUCT AVAILABILITY

THIS DRAWING IS A CONTROLLED DOCUMENT.		DMN R. GRZYBOWSKI	14JUN2011		TE Connectivity
		CHK J. EARY	14JUN2011		
DIMENSIONS:		APVD J. EARY	14JUN2011	NAME	IMPACT, 4 PAIR, 8 COLUMN, HEADER
mm	TOLERANCES UNLESS OTHERWISE SPECIFIED:	PRODUCT SPEC			UNGUIDED, OPEN END WALL
	0 PLC ±	APPLICATION SPEC		SIZE	CAGE CODE DRAWING NO
	1 PLC ±0.25			A1	00779
	2 PLC ±0.13			©	2057442
	3 PLC ±			SCALE	5:1
	4 PLC ±			SHEET	2
	ANGLES ±			OF	2
	FINISH ±			REV	A2
MATERIAL	SEE TABLE	WEIGHT		CUSTOMER DRAWING	