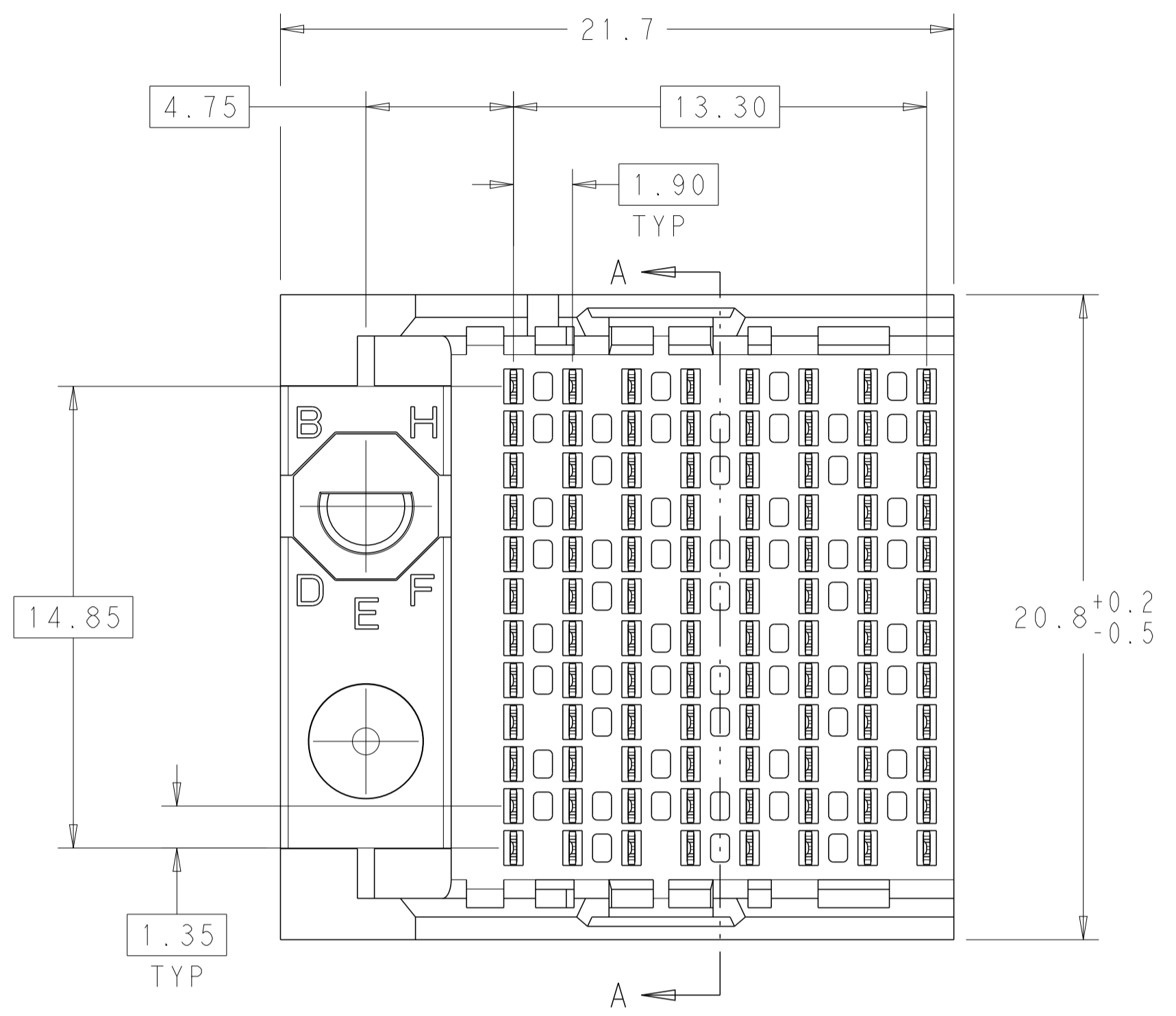
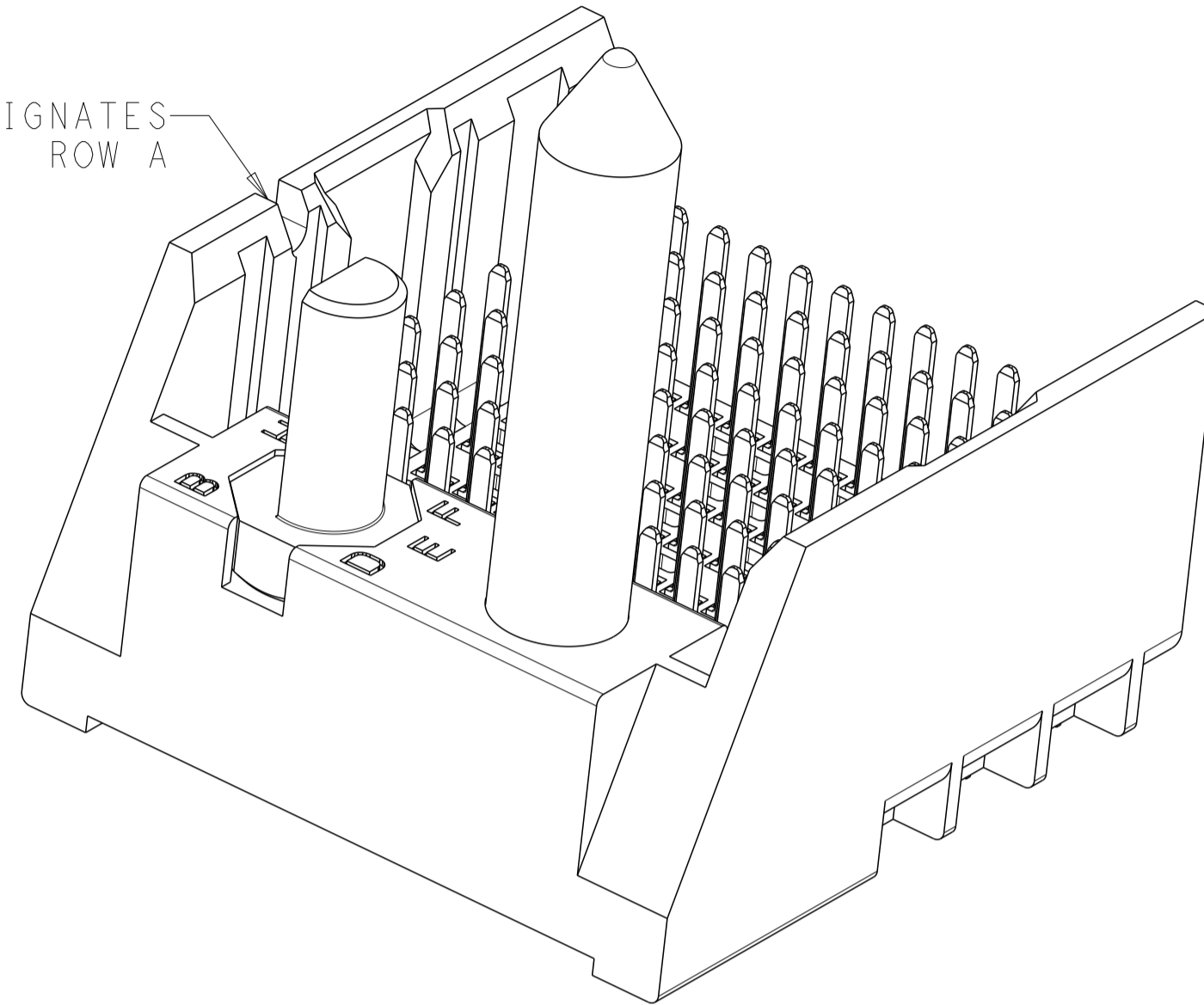


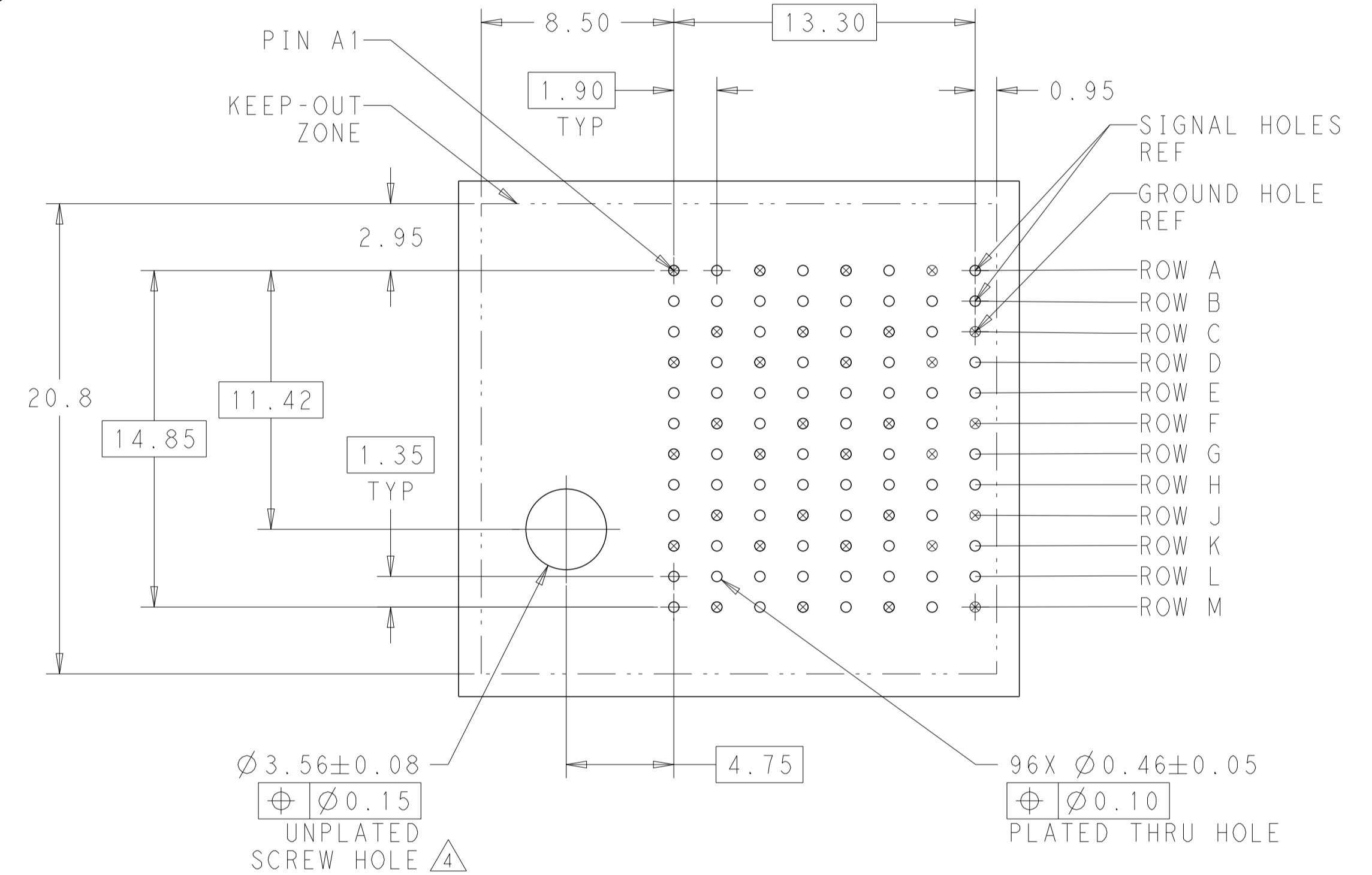
REVISIONS				
P.	LTR.	DESCRIPTION	DATE	APVD
A1		REVISED PER ECO-15-001494	05FEB2015	AP DD
A2		REVISED PER ECN-24-252171	23FEB2024	AP RS



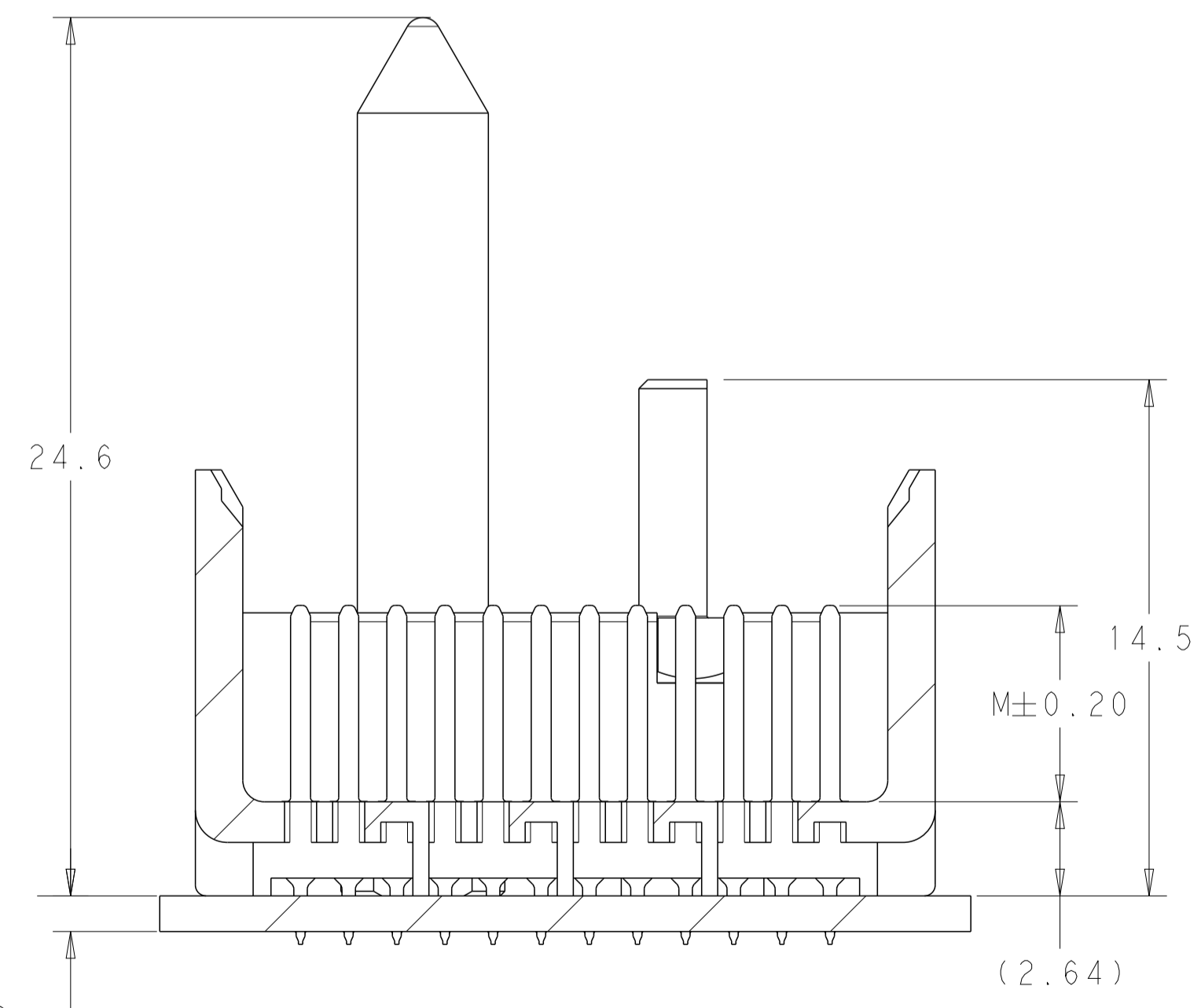
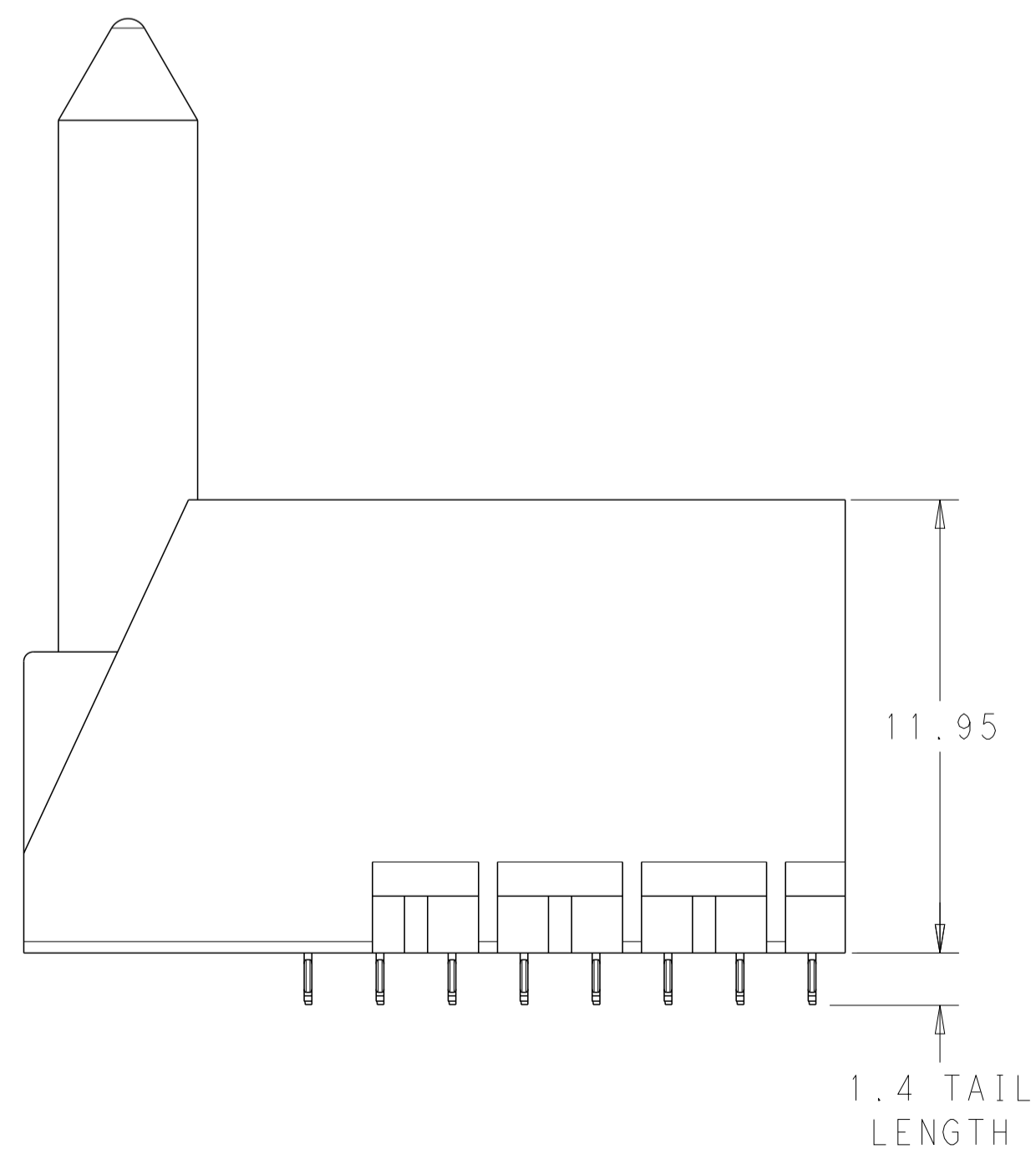
NOTCH DESIGNATES ROW A



- ⚠ MATERIAL:  
HOUSING: LCP, GLASS FILLED, UL94V-0.  
TERMINALS: HIGH PERFORMANCE COPPER ALLOY.
- ⚠ FINISH:  
30μ" MIN GOLD IN CONTACT AREA. SELECTIVE TIN ON PCB TAILS, NICKEL OVERALL.
- 3. SCREWS PACKAGED IN END OF PACKAGING TUBE.
- ⚠ FOR GROUNDED GUIDE PIN USE Ø3.56±0.08 PTH, Ø3.66 DRILL, AND Ø6.5 PAD.
- 5. KEYING PIN SHOWN IN POSITION A, SEE KEYING CHART ON SHEET 2 FOR OTHER POSITIONS.



LEFT GUIDED BACKPLANE HOLE PATTERN (CONNECTOR SIDE)

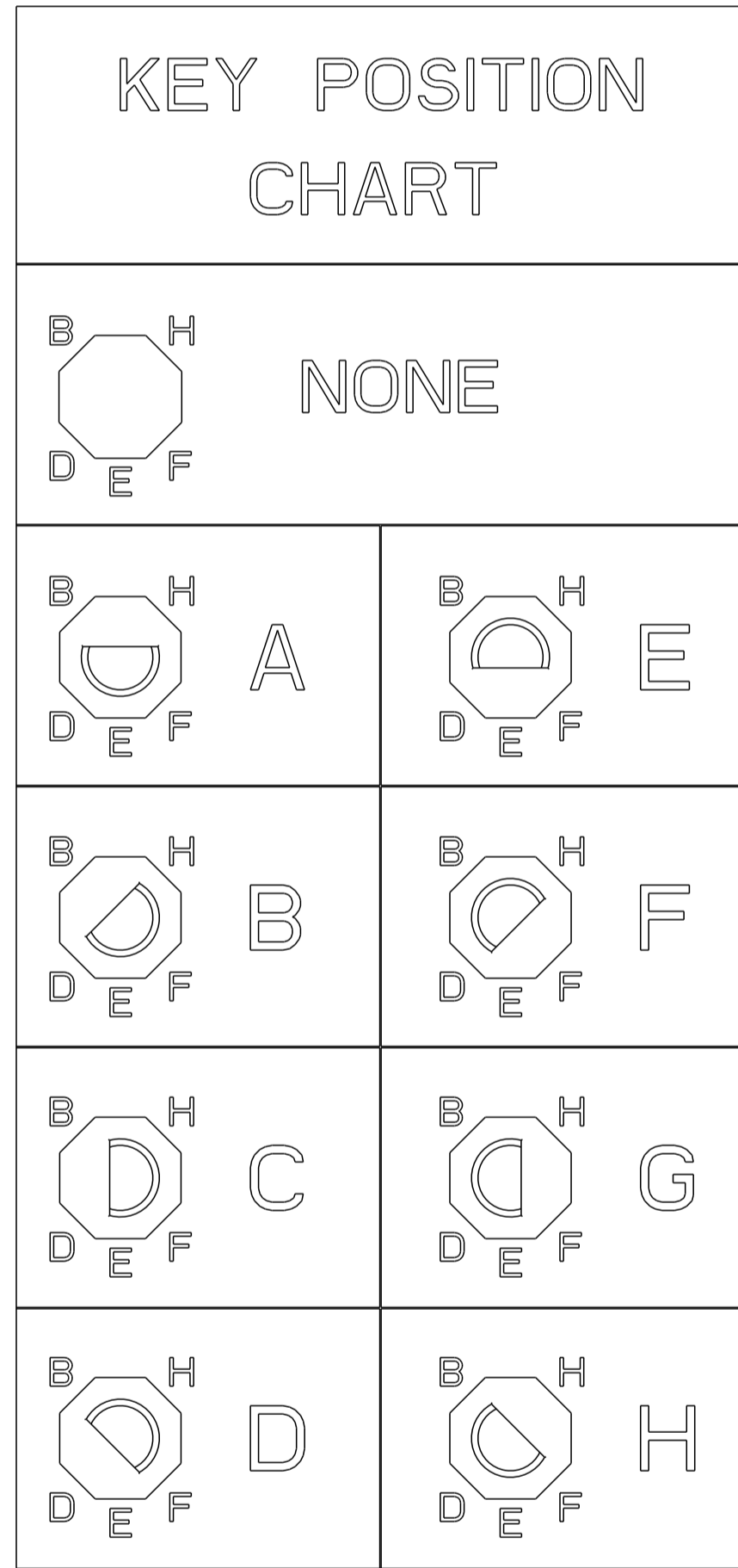


1.00 MINIMUM BOARD THICKNESS

SECTION A-A

THIS DRAWING IS A CONTROLLED DOCUMENT.		OWN J. K. SHOBER 18JUL2013	<b>STE</b> TE Connectivity	
DIMENSIONS: mm		CHK J. EARY 18JUL2013		
TOLERANCES UNLESS OTHERWISE SPECIFIED:		APVD J. EARY 18JUL2013	NAME IMPACT, 4 PAIR, 8 COLUMN, HEADER LEFT GUIDED, OPEN END WALL SIGNAL MODULE, 0.46 PTH	
0 PLC	±	PRODUCT SPEC	SIZE CAGE CODE DRAWING NO RESTRICTED TO	
1 PLC	±0.25	APPLICATION SPEC	A100779C=2057434	
2 PLC	±0.13	WEIGHT	SCALE 6:1 SHEET 1 OF 2 REV A2	
3 PLC	±	CUSTOMER DRAWING		
4 PLC	±			
ANGLES	±			
FINISH	SEE TABLE			

REVISIONS				
P	LTN	DESCRIPTION	DATE	OWN APVD
-		SEE SHEET 1	-	-



FINISH	KEY POSITION	DIM M	PART NUMBER	
$\Delta_2$	H	5.5	8-2057434-3	OBSOLETE
$\Delta_2$	H	4.9	8-2057434-2	
$\Delta_2$	H	4.5	8-2057434-1	
$\Delta_2$	G	5.5	7-2057434-3	
$\Delta_2$	G	4.9	7-2057434-2	
$\Delta_2$	G	4.5	7-2057434-1	
$\Delta_2$	F	5.5	6-2057434-3	
$\Delta_2$	F	4.9	6-2057434-2	
$\Delta_2$	F	4.5	6-2057434-1	
$\Delta_2$	E	5.5	5-2057434-3	
$\Delta_2$	E	4.9	5-2057434-2	
$\Delta_2$	E	4.5	5-2057434-1	
$\Delta_2$	D	5.5	4-2057434-3	
$\Delta_2$	D	4.9	4-2057434-2	
$\Delta_2$	D	4.5	4-2057434-1	
$\Delta_2$	C	5.5	3-2057434-3	
$\Delta_2$	C	4.9	3-2057434-2	
$\Delta_2$	C	4.5	3-2057434-1	
$\Delta_2$	B	5.5	2-2057434-3	
$\Delta_2$	B	4.9	2-2057434-2	
$\Delta_2$	B	4.5	2-2057434-1	
$\Delta_2$	A	5.5	1-2057434-3	
$\Delta_2$	A	4.9	1-2057434-2	
$\Delta_2$	A	4.5	1-2057434-1	
$\Delta_2$	-	5.5	2057434-3	
$\Delta_2$	-	4.9	2057434-2	
$\Delta_2$	-	4.5	2057434-1	
				OBSOLETE

REFER TO WWW.TE.COM  
FOR PRODUCT AVAILABILITY

THIS DRAWING IS A CONTROLLED DOCUMENT.		OWN J. K. SHOBER 18JUL2013	<b>TE</b> Connectivity
DIMENSIONS: mm		CHK J. EARY 18JUL2013	
		APVD J. EARY 18JUL2013	
TOLERANCES UNLESS OTHERWISE SPECIFIED:		NAME	IMPACT, 4 PAIR, 8 COLUMN, HEADER LEFT GUIDED, OPEN END WALL SIGNAL MODULE, 0.46 PTH
0 PLC ±0.25		PRODUCT SPEC	
1 PLC ±0.13		APPLICATION SPEC	
2 PLC ±0.10		SIZE	A100779C=2057434
3 PLC ±0.08		CAGE CODE	
4 PLC ±0.07		DRAWING NO	
ANGLES FINISH		RESTRICTED TO	
MATERIAL		WEIGHT	
SEE TABLE		CUSTOMER DRAWING	
		SCALE	5:1 SHEET 2 OF 2 REV A2